

# PRODUCT INFORMATION PACKET



Model No: C145T17FB87A

Catalog No: 121934.00

..2HP..1745RPM.145T.TEFC.230/460V.3PH.60/50HZ.CONT.40C.1.25SF.RIGID.C145T17FB87A.....

Feather Picker



Regal and Leeson are trademarks of Regal Beloit Corporation or one of its affiliated companies.

©2018 Regal Beloit Corporation, All Rights Reserved. MC017097E





### Nameplate Specifications

Output HP	2 Hp	Output KW	1.5 kW
Frequency	60 Hz	Voltage	230/460 V
Current	5.8/2.9 A	Speed	1745 rpm
Service Factor	1.25	Phase	3
Efficiency	86.5 %	Duty	Continuous
Insulation Class	F	Design Code	B
KVA Code	L	Frame	145
Enclosure	Totally Enclosed Fan Cooled	Overload Protector	No
Ambient Temperature	40 °C	Drive End Bearing Size	6205
Opp Drive End Bearing Size	6203	UL	Recognized
CSA	Y	CE	Y
IP Code	43		

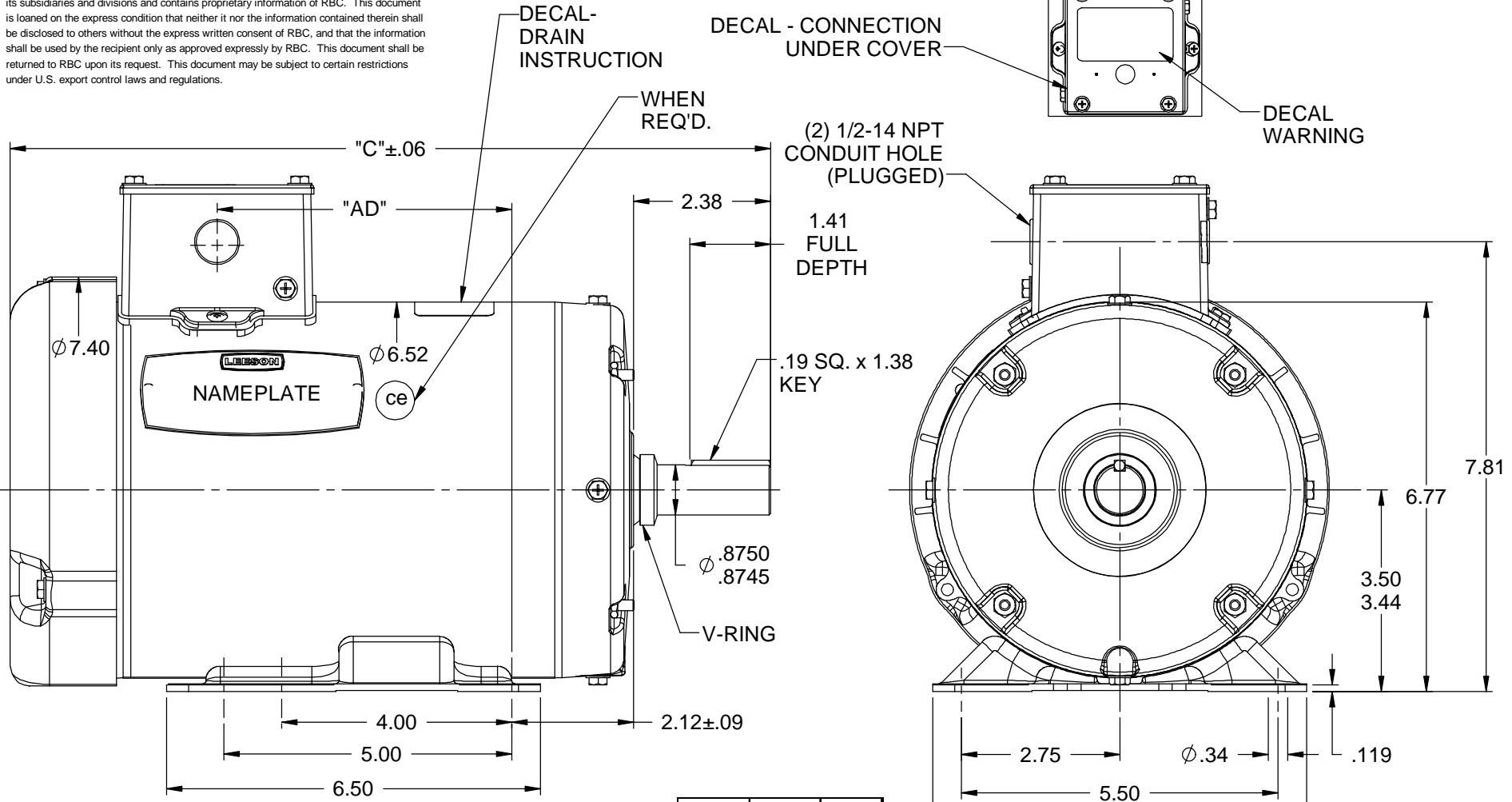
### Technical Specifications

Electrical Type	Squirrel Cage Induction Run	Starting Method	Across The Line
Poles	4	Rotation	Reversible
Mounting	Rigid base	Motor Orientation	HORIZONTAL
Drive End Bearing	BALL	Opp Drive End Bearing	BALL
Frame Material	Rolled Steel	Shaft Type	NEMA 56
Overall Length	13.72 in	Frame Length	8.00 in
Shaft Diameter	0.875 in	Shaft Extension	2.25 in
Assembly/Box Mounting	F1 ONLY		
Outline Drawing	028810-800	Connection Diagram	005010.01

This is an uncontrolled document once printed or downloaded and is subject to change without notice. Date Created: 10/15/2018

RBC PROPRIETARY AND CONFIDENTIAL INFORMATION

This document is the property of REGAL BELOIT CORPORATION ("RBC") including its subsidiaries and divisions and contains proprietary information of RBC. This document is loaned on the express condition that neither it nor the information contained therein shall be disclosed to others without the express written consent of RBC, and that the information shall be used by the recipient only as approved expressly by RBC. This document shall be returned to RBC upon its request. This document may be subject to certain restrictions under U.S. export control laws and regulations.



WASHGUARD FEATURES:

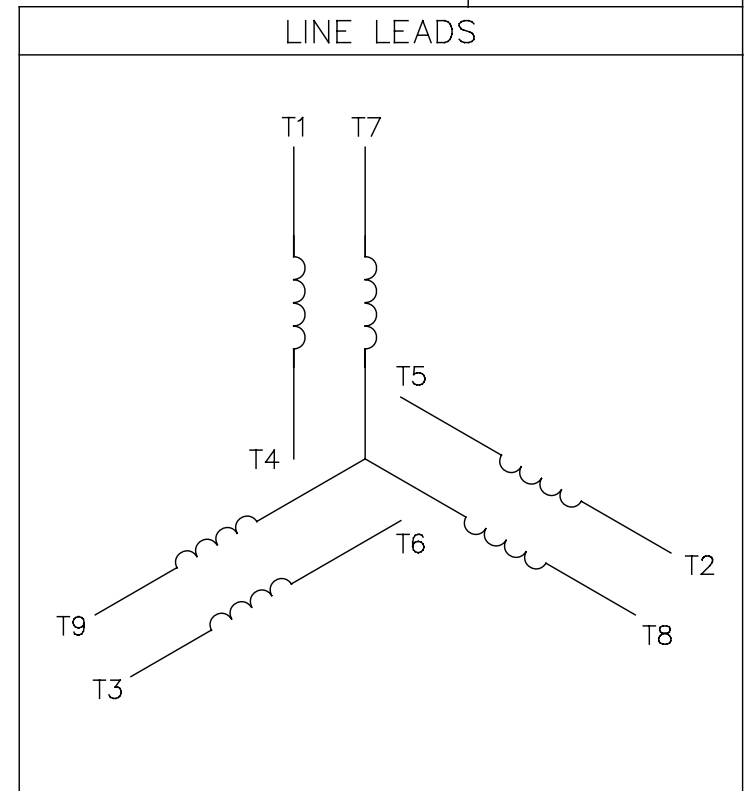
- 1) SHAFT SEALS & V-RING
- 2) PLUGGED DRAIN HOLES IN ENDBELLS & CONDUIT BOX
- 3) STAINLESS STEEL SHAFT, HARDWARE, & NAMEPLATE
- 4) GASKETS THROUGHOUT

DASH NO.	"C"	"AD"
	TOLERANCES UNLESS SPECIFIED	
	DEC INCHES	
700	12.72	4.62
750	13.22	5.12
800	13.72	5.62

			TOLERANCES UNLESS SPECIFIED		<b>LEESON</b> ELECTRIC MOTORS GEARMOTORS AND DRIVES	DRAWN MBR 12/19/07
			DEC INCHES			CHK
			.X ±.1		TITLE OUTLINE - 140T FRAME TEFC - RIGID	APPR
			.XX ±.03			SCALE 3:8
02	ADDED WARNING DECAL PER ISAAC:09-0365	VS 3/13/09	.XXX ±.005	MATERIAL FEATHER PICKER		REF OLG121191
01	ADDED NAMEPLATE NOTE AS PER ISAAC #08-4183	GRB9/18/2008 VS	.XXX ±.0005			FMF G121191
NO	REVISION	BY & DATE	CHK ANG ±1/2°	FINISH	PAGE OF	
THIRD ANGLE PROJECTION			RFP	PREV	SIZE A	DRAWING NO 028810
			NETWORK FILE NAME			REV 02

005010-01

VIEW FROM OUTSIDE OF MOTOR AT SWITCH END.



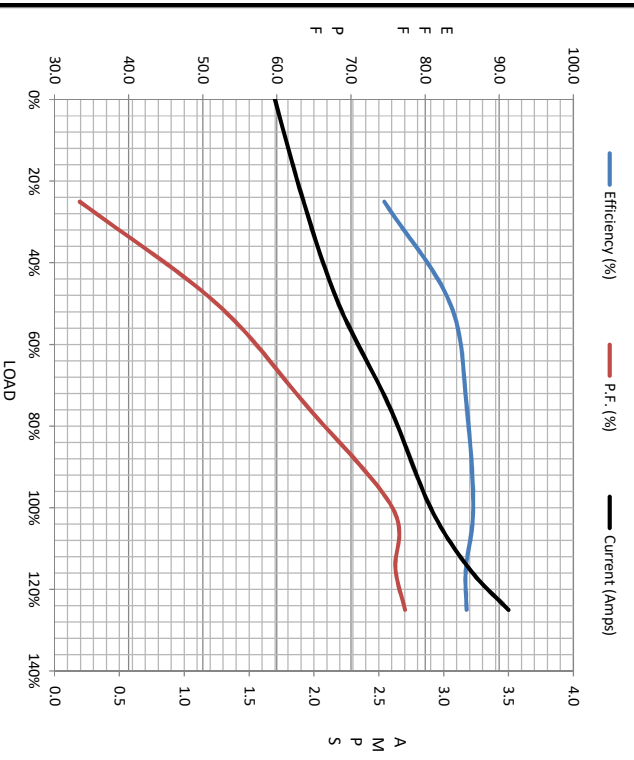
VOLTAGE	L1	L2	L3	JOIN & INSULATE
HIGH	T1	T2	T3	(T4,T7) (T5,T8) (T6,T9)
LOW	T1,T7	T2,T8	T3,T9	T4,T5,T6

				TOLERANCES UNLESS SPECIFIED		<b>Regal Beloit America, Inc.</b>		DRAWN RDW 04/12/02			
				DEC.	INCHES			CHK			
				.X	±.1			APPD			
				.XX	±.01			SCALE 1=1			
				.XXX	±.005	TITLE		REF FIG.2-51			
A	UPDATED TO REGAL LOGO	SAJ 06/26/15	AJY	.XXXX	±.0005	MAT'L.		FMF			
NO.	REVISION	BY & DATE	CHK	ANG	±1/2"	FINISH		PREV			
THIS DRAWING IN DESIGN AND DETAIL IS OUR PROPERTY AND MUST NOT BE USED EXCEPT IN CONNECTION WITH OUR WORK ALL RIGHTS OF DESIGN AND INVENTION ARE RESERVED THIS IS AN ELECTRONICALLY GENERATED DOCUMENT - DO NOT SCALE THIS PRINT				RFP	04/12/02	CAD FILE		00501001	SIZE	DRAWING NO.	REV.
				DIST		BRF-NLV		A	005010-01	A	



Motor Load Data									
Load	0%	25%	50%	75%	100%	115%	125%	LR	
Current (Amps)	1.70	1.92	2.19	2.58	2.90	3.2	3.5	26.5	
Torque (ft-lb)	0.00	1.50	3.0	4.5	6.0	6.5	7.5	18.8	
HPM	1800	1787	1774	1763	1751	1730	1732	0	
Efficiency (%)		74.5	83.4	85.6	86.5	85.5	85.6		
P.F. (%)	7.1	33.4	51.9	64.0	75.6	76.0	77.3	42.0	

Motor Speed Data						Information Block																						
	LR	Pull-Up	BD	Rated	Idle	HP	Sync. RPM	Frame	Enclosure	Construction	Voltage	Frequency	Design	LR Code letter	Service Factor	Temp Rise @ FL	Duty	Ambient	Elevation	Rotor/Shaft wk <sup>2</sup>	Ref Wdg	Sound Pressure @ 1M	VFD Rating	Outline Dwg	Conn. Diag	Additional Specifications:		
Speed (RPM)	0	775	1085	1751	1800	2.0	1800	140	TEFC	TFR	230/460#190/380	60	A	L	1.15	53	CONT	40	1,000	0.16	T634340 FR	65	NONE	028810-800	005010.01			
Current (Amps)	26.5	24.4	14.2	2.90	1.70																							
Torque (ft-lb)	18.8	15.0	24.6	6.0	0.00																							



	R1	R2	X1	X2	Xm
EQUIV CKT (OHMS / PHASE)	0.0000	0.0000	0.0000	0.0000	0.0000

