

PRODUCT INFORMATION PACKET



Model No: M143C17FB13D

Catalog No: 121569.00

1HP..1725RPM.143.TEFC./V.1PH.60HZ.CONT.MANUAL.40C.1.15SF.RIGID.FARM DUTY.M143C17FB13D

Agricultural



Regal and Leeson are trademarks of Regal Beloit Corporation or one of its affiliated companies.

©2018 Regal Beloit Corporation, All Rights Reserved. MC017097E





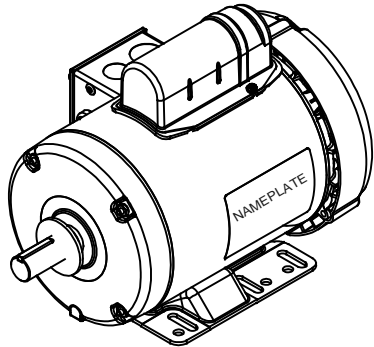
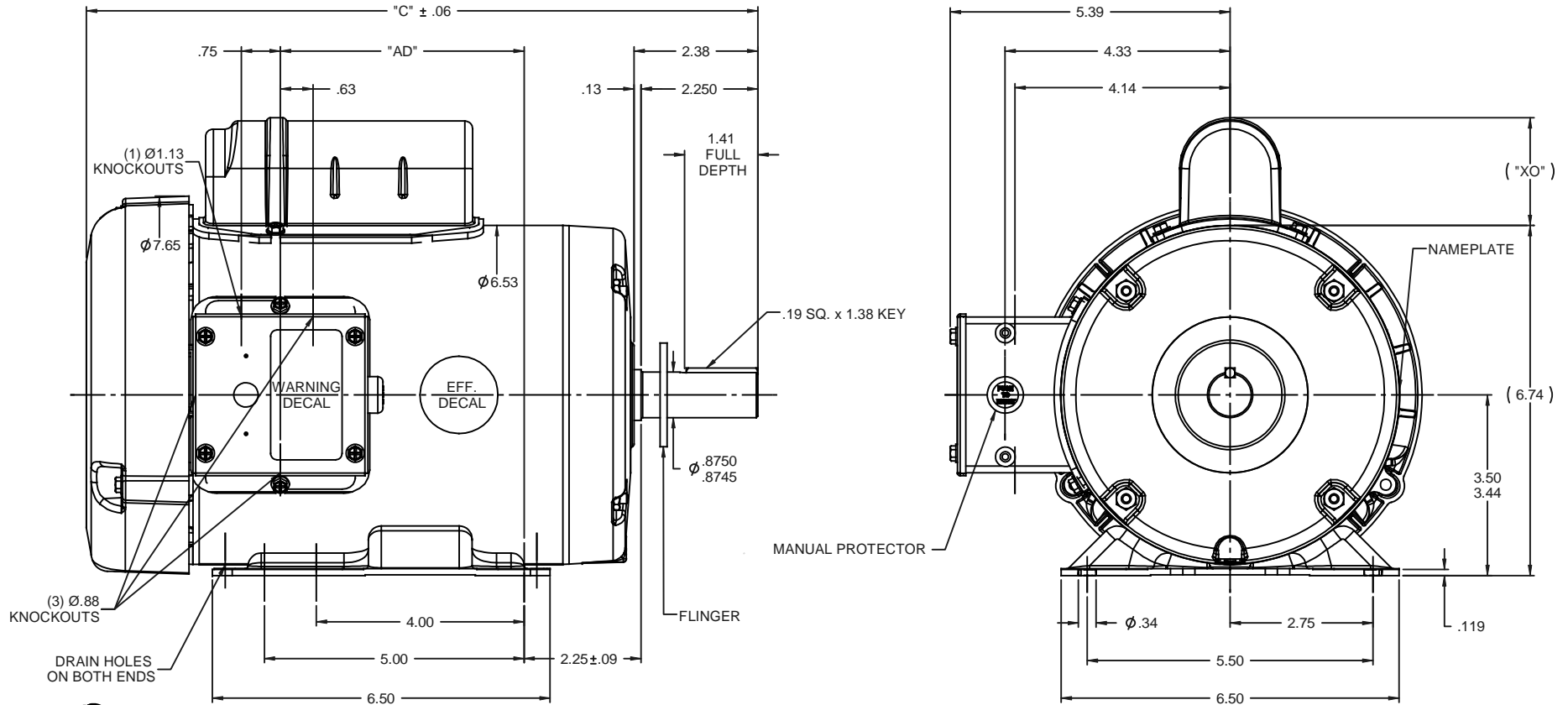
Nameplate Specifications

Output HP	1 Hp	Output KW	0.75 kW
Frequency	60 Hz	Voltage	115/208-230 V
Current	14.0/7.1-7.0 A	Speed	1725 rpm
Service Factor	1.15	Phase	1
Efficiency	74 %	Duty	Continuous
Insulation Class	B	Design Code	N
KVA Code	K	Frame	143T
Enclosure	Totally Enclosed Fan Cooled	Overload Protector	Manual
Ambient Temperature	40 °C	Drive End Bearing Size	6205
Opp Drive End Bearing Size	6203	UL	Recognized
CSA	Y	CE	N
IP Code	43		

Technical Specifications

Electrical Type	Capacitor Start Induction Run	Starting Method	Across The Line
Poles	4	Rotation	Selective Counterclockwise
Mounting	Rigid base	Motor Orientation	HORIZONTAL
Drive End Bearing	BALL	Opp Drive End Bearing	BALL
Frame Material	Rolled Steel	Shaft Type	T
Overall Length	12.93 in	Frame Length	7.00 in
Shaft Diameter	0.875 in	Shaft Extension	2.25 in
Assembly/Box Mounting	F1 ONLY		
Outline Drawing	028915-700B	Connection Diagram	005003.03

This is an uncontrolled document once printed or downloaded and is subject to change without notice. Date Created: 10/15/2018

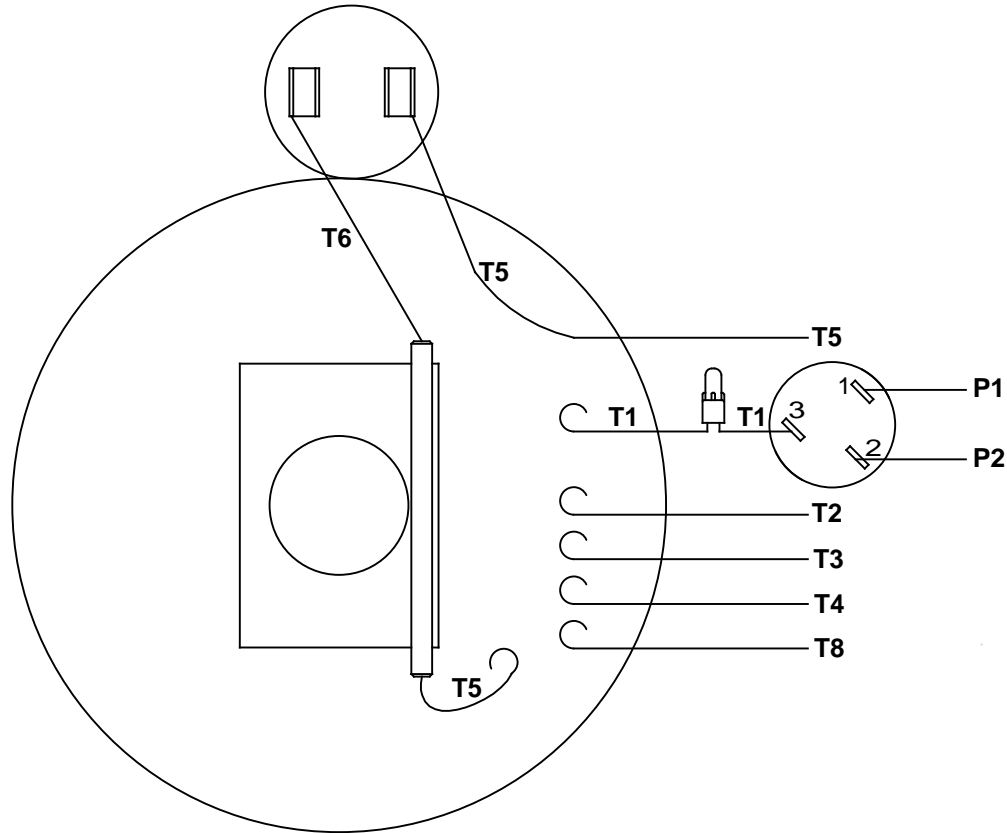


DASH NO.	"C"	"AD"	CAP. DASH	"XO"
700	12.93	4.69	A	1.61
750	13.43	5.19	B	2.08
800	13.93	5.69	C	2.32
850	14.43	6.19		

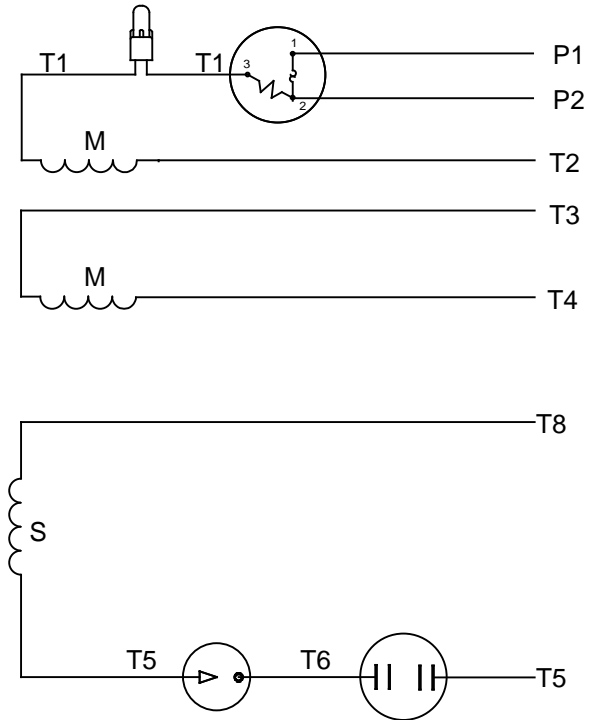
SPECIAL FEATURES:
 1) GASKETS THROUGHOUT
 2) FLINGER ON SHAFT
 3) MANUAL OVERLOAD PROTECTOR

REVISION		BY & DATE	CHK	ANG	±1/2"	FINISH	DRAWING NO		REV
THIRD ANGLE PROJECTION			RFP	12/12/08	PREV		B	028915	
TOLERANCES UNLESS SPECIFIED		DEC		INCHES					
x		±.1		TITLE		OUTLINE - 140T FRAME			
.xx		±.03		REF		034990			
.xxx		±.005		MATL		FARM DUTY			
.xxxX		±.0005		PAGE		1 OF 1			
NO		DRAWN		GRB		12/12/08			
		CHK		DJ		12/12/08			
		APPR		DJ		12/12/08			
		SCALE		1:2					
		REF		034990					
		FMF		121569.00					
		PAGE		1		OF 1			
		SIZE		DRAWING NO		REV			
		B		028915					
		NETWORK FILE NAME							

VIEW FROM OUTSIDE OF MOTOR AT SWITCH END



LINE LEADS



RBC PROPRIETARY AND CONFIDENTIAL INFORMATION
 This document is the property of REGAL BELOIT CORPORATION ("RBC") including its subsidiaries and divisions and contains proprietary information of RBC. This document is loaned on the express condition that neither it nor the information contained therein shall be disclosed to others without the express written consent of RBC, and that the information shall be used by the recipient only as approved expressly by RBC. This document shall be returned to RBC upon its request. This document may be subject to certain restrictions under U.S. export control laws and regulations.

	ROTATION FACING LEAD END	L1	L2	JOIN	INSULATE SEPARATELY
HIGH VOLT	C.C.W.	P1	T4 T5	T2,T3 T8	P2
	C.W.	P1	T4 T8	T2,T3 T5	P2
LOW VOLT	C.C.W.	P1	T2,T4 T5	P2,T3 T8	---
	C.W.	P1	T2,T4 T8	P2,T3 T5	---

		TOLERANCES UNLESS SPECIFIED		LEESON	ELECTRIC MOTORS GEARMOTORS AND DRIVES	DRAWN WLV 08/20/79		
		DEC	INCHES			CHK	ADN 08/27/76	
		.X	±.1			APPR	WRK 08/27/76	
		.XX	±.01	TITLE EXTERNAL WIRING DIAGRAM TYPE "C" W/PROTECTOR		SCALE 1:1		
06	REDRAWN IN SOLIDWORKS	VJB	7/22/2011	.XXX	±.005	REF		
05	REDRAWN ON CAD	DBT	05/27/97	.XXXX	±.0005	FMF		
NO	REVISION	BY & DATE	CHK	ANG	±1/2°	FINISH	PAGE OF	
THIRD ANGLE PROJECTION		RFP		PREV		SIZE	DRAWING NO	REV
		NETWORK FILE NAME		00500303		A	005003-03	06



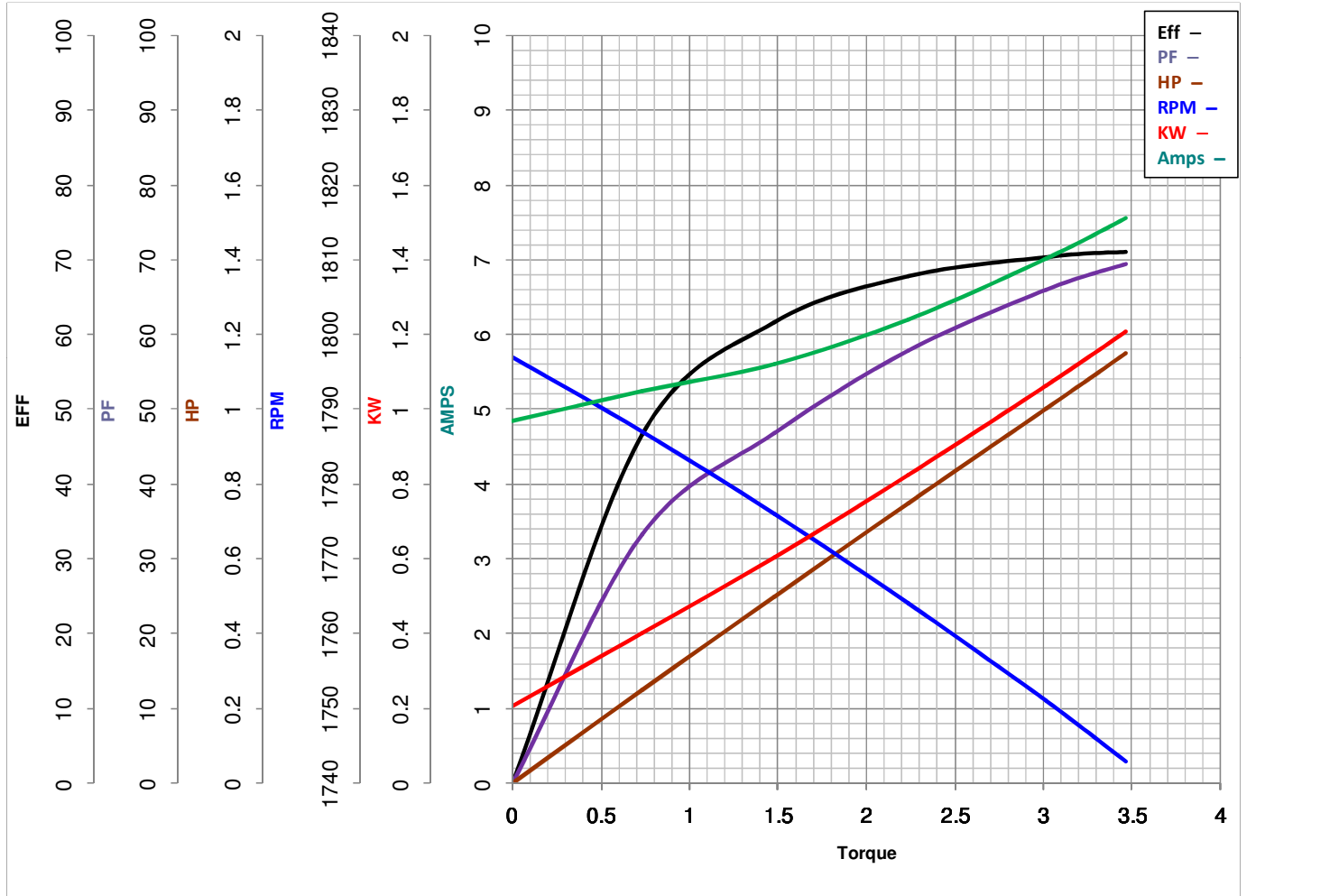
LEESON ELECTRIC CORPORATION
 TYPICAL PERFORMANCE CURVE for AC MOTOR

Model No 121569.00

Catalog No 121569.00

Curve at 230 Volts HP 1.00 PHASE 1
60 HZ
1 HP VOLTS 115/208-230

HZ 60 RPM 1725



Torque in Lb.Ft

FL TORQUE 3.01 Lb.Ft
 BD TORQUE 8.3 Lb.Ft
 LR TORQUE 8.863 Lb.Ft

FL AMPS 14/7.1-7
 PU TORQUE 7.4 Lb.Ft
 LR AMPS 37.3

WINDING C634259-3

Date 4/12/2018