

# PRODUCT INFORMATION PACKET



Model No: C145T14FC6D

Catalog No: 121275.00

1.5HP.1.1kW.1440RPM.145.IP54.220/380V.3PH.50HZ.CONT.NOT.40C.1.15SF.C FACE.50  
HZ.C145T14FC6D  
50 Hz



Regal and Leeson are trademarks of Regal Beloit Corporation or one of its affiliated companies.

©2018 Regal Beloit Corporation, All Rights Reserved. MC017097E





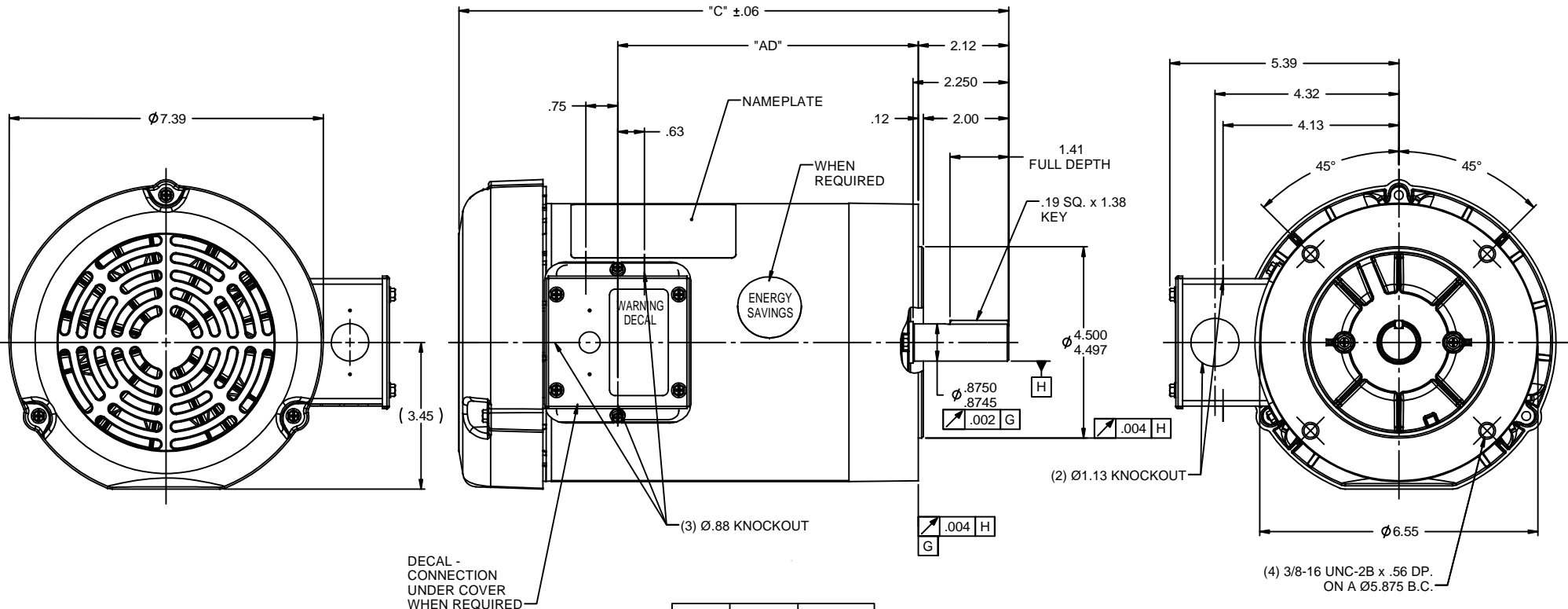
### Nameplate Specifications

Output HP	1.50 Hp	Output KW	1.1 kW
Frequency	50 Hz	Voltage	220/380/440 V
Current	5.8/3.3/2.9 A	Speed	1440 rpm
Service Factor	1.15	Phase	3
Efficiency	75.5 %	Duty	Continuous
Insulation Class	F	Design Code	NO DESIGN CODE
KVA Code	K	Frame	145TC
Enclosure	Totally Enclosed Fan Cooled	Overload Protector	No
Ambient Temperature	40 °C	Drive End Bearing Size	6205
Opp Drive End Bearing Size	6203	UL	Recognized
CSA	Y	CE	Y
IP Code	54		

### Technical Specifications

Electrical Type	Squirrel Cage Induction Run	Starting Method	Across The Line
Poles	4	Rotation	Reversible
Mounting	Round	Motor Orientation	HORIZONTAL
Drive End Bearing	BALL	Opp Drive End Bearing	BALL
Frame Material	Rolled Steel	Shaft Type	T
Overall Length	12.42 in	Frame Length	6.50 in
Shaft Diameter	0.875 in	Shaft Extension	2.25 in
Assembly/Box Mounting	F1 ONLY		
Outline Drawing	028777-650	Connection Diagram	005381.01

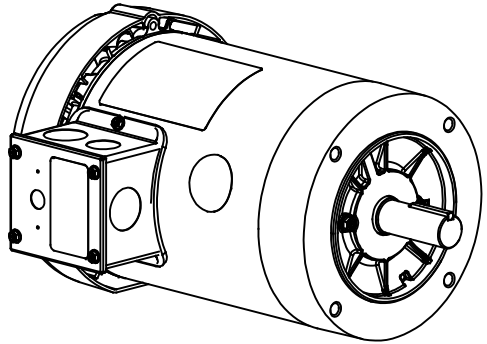
This is an uncontrolled document once printed or downloaded and is subject to change without notice. Date Created: 10/15/2018



DECAL - CONNECTION UNDER COVER WHEN REQUIRED

DASH NO.	"C"	"AD"
550	11.42	5.56
600	11.92	6.06
650	12.42	6.56
675	12.67	6.81
700	12.92	7.06
750	13.42	7.56
800	13.92	8.06

NOTE:  
1) GASKETS THROUGHOUT



REVISION			BY & DATE	CHK	ANG	±1/2°	FINISH	GENERAL PURPOSE	PAGE	OF
05	ADDED FAN GUARD DIMENSIONS PER SALES	PG	1/5/2011	DEC						
04	ADDED DASH NO. 675	PG	5/21/2010	X						
03	ADDED ENERGY SAVINGS DECAL	PG	5/19/2010	.XX						
02	ADD "C" DIM. PER ISAAC 09-4157	LST	10/1/2009	.XXX						
01	REVISED GD&T POSITIONING & CALLOUT	KMM	8/27/07	.XXX						

TOLERANCES UNLESS SPECIFIED		DRAWN		KMM 08/02/07	
DEC	INCHES	CHK		APP	
X	±.1	APPR		SCALE	7:16
.XX	±.03	REF		028504.00	
.XXX	±.005	FMF		120038.00	
.XXX	±.0005				
NO					

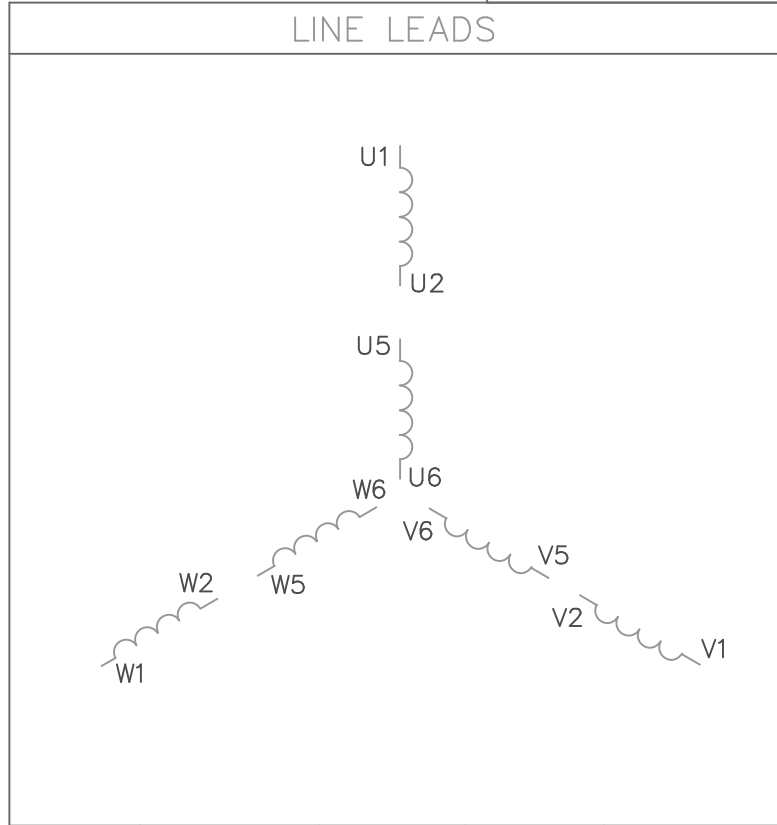
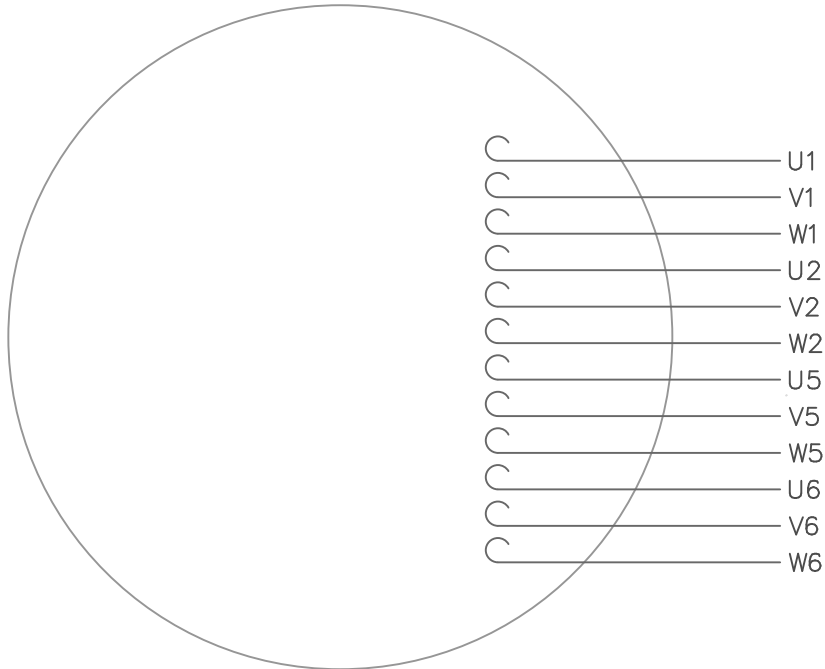
  

REV	DESCRIPTION	DATE	BY	CHK	ANG	±1/2°	FINISH	GENERAL PURPOSE	PAGE	OF
05										

SIZE	DRAWING NO	REV
B	028777	05

VIEW FROM OUTSIDE OF MOTOR AT SWITCH END.



VOLTAGE	L1	L2	L3	JOIN
(2Δ) LOW	U1,W2 U5,W6	V1,U2 V5,U6	W1,V2 W5,V6	-----
(2Y) MEDIUM	U1,U5	V1,V5	W1,W5	(U2,V2,W2) (U6,V6,W6)
(1Δ) HIGH	U1,W6	V1,U6	W1,V6	(U2,U5) (V2,V5) (W2,W5)

				TOLERANCES UNLESS OTHERWISE SPECIFIED	
				DECIMALS	
				.00	± .01
				.000	± .005
1	REDRAWN TO CURRENT STANDARDS	DBT	05/30/97	.0000	± .0005
NO.	REVISION	BY	DATE	FRACTIONS	± 1/64
				ANGLES	± 1/2°
				INCH/MM	

**LEESON** ELECTRIC CORPORATION

DRAWN GWS 2/23/96 TITLE EXT. WIRING DIAGRAM  
 CH'K'D. TYPE "T" W/O PROTECTOR  
 APPR. MAT'L. DECAL - 080590  
 SCALE 1=1  
 REF. 005352 PG 3 FINISH STOCK SIZE A DRAWING NO. 005381-01  
 FMF

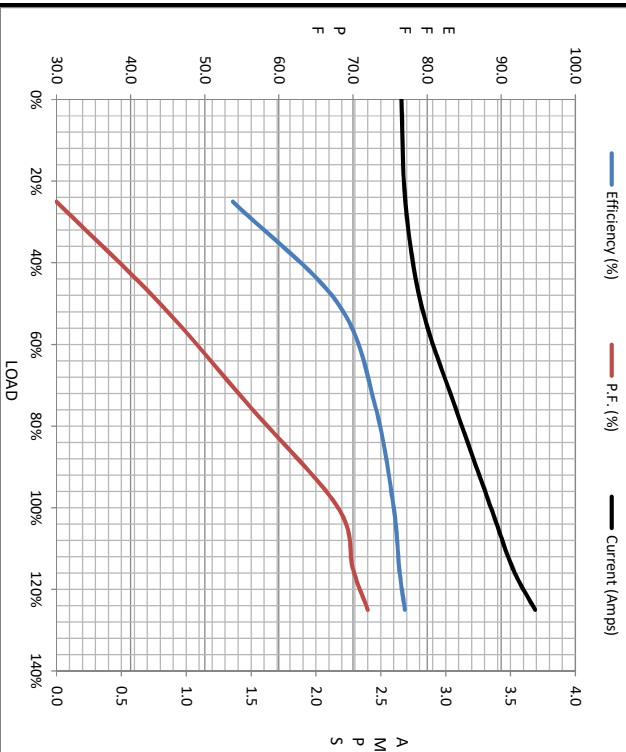


Motor Load Data								
Load	0%	25%	50%	75%	100%	115%	125%	LR
Current (Amps)	2.66	2.69	2.81	3.1	3.4	3.5	3.7	20.5
Torque (ft-lb)	0.00	1.35	2.70	4.1	5.4	6.1	6.8	20.7
RPM	1500	1466	1451	1438	1423	1417	1407	0
Efficiency (%)		53.8	68.0	73.0	75.5	76.3	77.0	
P.F. (%)	0.0	30.0	44.0	56.0	68.0	70.0	72.0	0.0

Motor Speed Data					
	LR	Pull-Up	BD	Rated	Idle
Speed (RPM)	0	750	1380	1423	1500
Current (Amps)	20.5	18.9	12.3	3.4	2.66
Torque (ft-lb)	20.7	20.8	23.8	5.4	0.00

Information Block

HP	1.5			
Sync. RPM	1500			
Frame	140			
Enclosure	IP54			
Construction	NA			
Voltage	220/380 V			
Frequency	50 Hz			
Design	B			
LR Code letter	K			
Service Factor	1.15			
Temp Rise @ FL	85 °C			
Duty	CONT			
Ambient	40 °C			
Elevation	1,000 feet			
Rotor/Shaft wk <sup>2</sup>	0.11 LB-Ft <sup>2</sup>			
Ref Wdg	T634220 FR			
Sound Pressure @ 1M	0 dBA			
VFD Rating	NONE			
Outline Dwg	028777-650			
Conn. Diag	005381.01			
Additional Specifications:				
0				
EQUIV CKT (OHMS / PHASE)				
R1	R2	X1	X2	Xm
0.0000	0.0000	0.0000	0.0000	0.0000



Speed - Torque Curve

