

# PRODUCT INFORMATION PACKET



Model No: C143T14FC2C  
Catalog No: 121272.00  
1HP..75kW.1425RPM.143.IP54.220/380V.3PH.50HZ.CONT.NOT.40C.1.15SF.C FACE.50  
HERTZ.C143T14FC2C  
50 Hz



Regal and Leeson are trademarks of Regal Beloit Corporation or one of its affiliated companies.  
©2018 Regal Beloit Corporation, All Rights Reserved. MC017097E





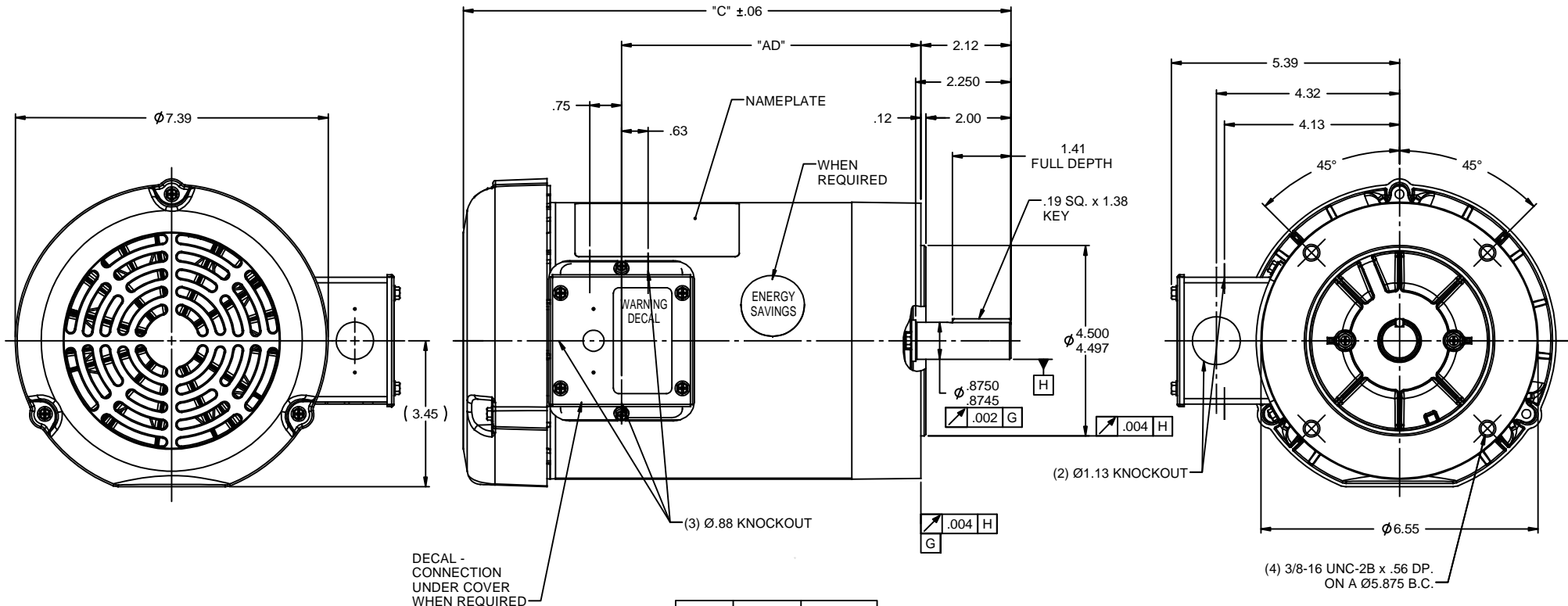
### Nameplate Specifications

Output HP	1 Hp	Output KW	0.75 kW
Frequency	50 Hz	Voltage	220/380/440 V
Current	3.5/2.0/1.8 A	Speed	1425 rpm
Service Factor	1.15	Phase	3
Efficiency	77 %	Duty	Continuous
Insulation Class	B	Design Code	NO DESIGN CODE
KVA Code	J	Frame	143TC
Enclosure	Totally Enclosed Fan Cooled	Overload Protector	No
Ambient Temperature	40 °C	Drive End Bearing Size	6205
Opp Drive End Bearing Size	6203	UL	Recognized
CSA	Y	CE	Y
IP Code	54		

### Technical Specifications

Electrical Type	Squirrel Cage Induction Run	Starting Method	Across The Line
Poles	4	Rotation	Reversible
Mounting	Round	Motor Orientation	HORIZONTAL
Drive End Bearing	BALL	Opp Drive End Bearing	BALL
Frame Material	Rolled Steel	Shaft Type	T
Overall Length	11.42 in	Frame Length	5.50 in
Shaft Diameter	0.875 in	Shaft Extension	2.25 in
Assembly/Box Mounting	F1 ONLY		
Outline Drawing	028777-550	Connection Diagram	005381.01

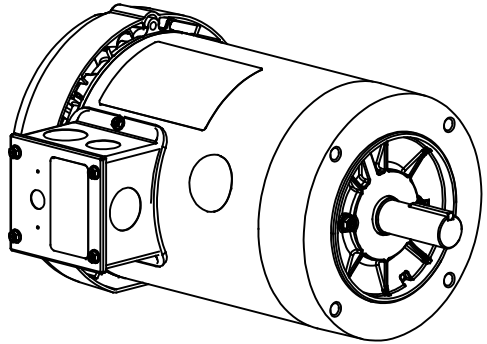
This is an uncontrolled document once printed or downloaded and is subject to change without notice. Date Created: 10/15/2018



DECAL - CONNECTION UNDER COVER WHEN REQUIRED

DASH NO.	"C"	"AD"
550	11.42	5.56
600	11.92	6.06
650	12.42	6.56
675	12.67	6.81
700	12.92	7.06
750	13.42	7.56
800	13.92	8.06

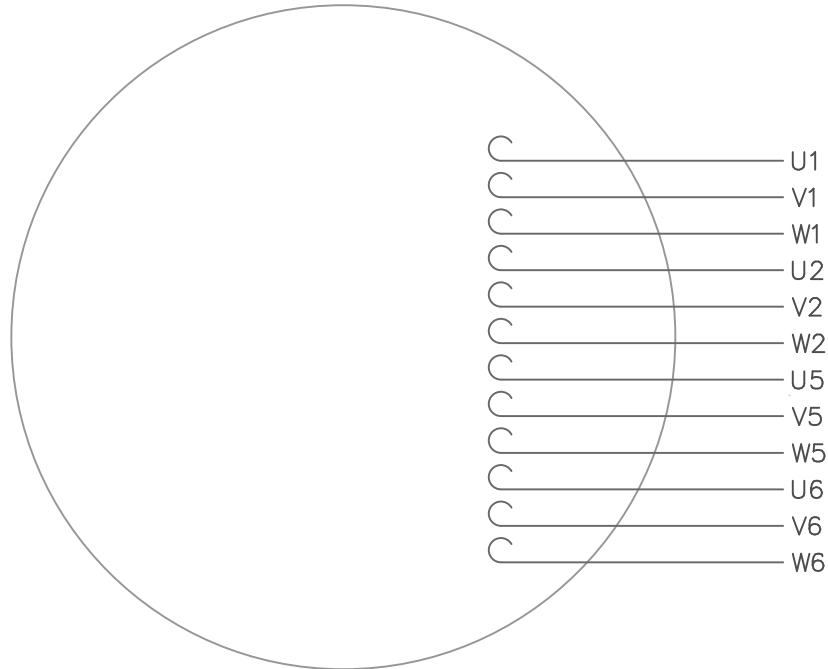
NOTE:  
1) GASKETS THROUGHOUT



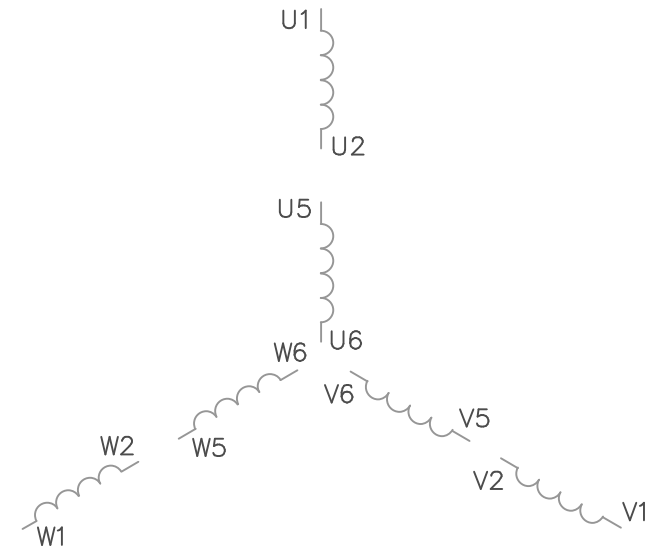
REVISION			BY & DATE	CHK ANG $\pm 1/2^\circ$	PREV	SIZE	DRAWING NO	REV
05	ADDED FAN GUARD DIMENSIONS PER SALES	PG 1/5/2011	DEC	INCHES		B	028777	05
04	ADDED DASH NO. 675	PG 5/21/2010	x	$\pm .1$				
03	ADDED ENERGY SAVINGS DECAL	PG 5/19/2010	.xx	$\pm .03$				
02	ADD "C" DIM. PER ISAAC 09-4157	LST 10/1/2009	.xxx	$\pm .005$				
01	REVISED GD&T POSITIONING & CALLOUT	KMM 8/27/07	.xxx	$\pm .0005$				

	<b>ELECTRIC MOTORS GEARMOTORS AND DRIVES</b>	DRAWN	KMM 08/02/07
		CHK	
		APPR	
		SCALE	7:16
		REF	028504.00
		FMF	120038.00
		PAGE	OF
		FINISH	GENERAL PURPOSE
		NETWORK FILE NAME	028777

VIEW FROM OUTSIDE OF MOTOR AT SWITCH END.



LINE LEADS



VOLTAGE	L1	L2	L3	JOIN
(2Δ) LOW	U1,W2 U5,W6	V1,U2 V5,U6	W1,V2 W5,V6	-----
(2Y) MEDIUM	U1,U5	V1,V5	W1,W5	(U2,V2,W2) (U6,V6,W6)
(1Δ) HIGH	U1,W6	V1,U6	W1,V6	(U2,U5) (V2,V5) (W2,W5)

TOLERANCES UNLESS OTHERWISE SPECIFIED

DECIMALS

.00 ± .01

.000 ± .005

.0000 ± .0005

FRACTIONS ± 1/64

ANGLES ± 1/2°

INCH/MM

**LEESON** ELECTRIC CORPORATION

DRAWN GWS 2/23/96

CH'K'D.

APPR.

SCALE 1=1

REF. 005352 PG 3

FMF

TITLE

MAT'L.

FINISH

EXT. WIRING DIAGRAM  
TYPE "T" W/O PROTECTOR

DECAL - 080590

STOCK

SIZE

A

DRAWING NO.

005381-01

1	REDRAWN TO CURRENT STANDARDS	DBT	05/30/97
NO.	REVISION	BY	DATE

THIS DRAWING IN DESIGN AND DETAIL IS OUR PROPERTY AND MUST NOT BE USED EXCEPT IN CONNECTION WITH OUR WORK ALL RIGHTS OF DESIGN AND INVENTION ARE RESERVED

