

# PRODUCT INFORMATION PACKET



Model No: C145T14FB13D

Catalog No: 121093.00

..1 1/2HP..1440RPM.145.IP54.220/380V.3PH.50HZ.CONT.40C.1.15SF.RIGID.C145T14FB13D.....50  
HERTZ.NOT....1.1kW...  
50 Hz



Regal and Leeson are trademarks of Regal Beloit Corporation or one of its affiliated companies.

©2018 Regal Beloit Corporation, All Rights Reserved. MC017097E



Product Information Packet: Model No: C145T14FB13D, Catalog No:121093.00 ..1  
 1/2HP..1440RPM.145.IP54.220/380V.3PH.50HZ.CONT.40C.1.15SF.RIGID.C145T14FB13D.....50  
 HERTZ.NOT....1.1kW...



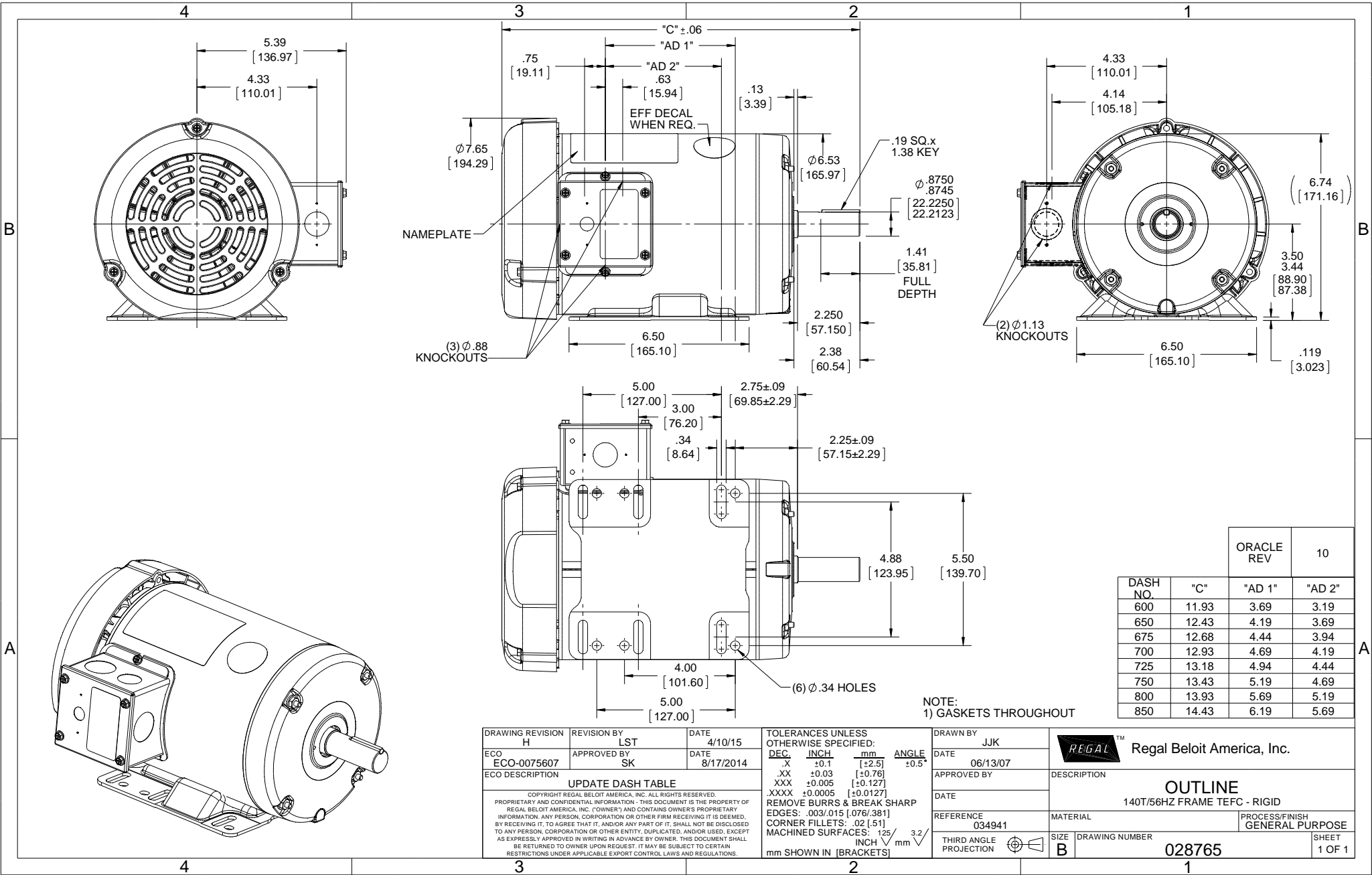
### Nameplate Specifications

Output HP	1.50 Hp	Output KW	1.1 kW
Frequency	50 Hz	Voltage	220/380/440 V
Current	5.8/3.3/2.9 A	Speed	1440 rpm
Service Factor	1.15	Phase	3
Efficiency	75.5 %	Duty	Continuous
Insulation Class	F	Design Code	NO DESIGN CODE
KVA Code	K	Frame	145T
Enclosure	Totally Enclosed Fan Cooled	Overload Protector	No
Ambient Temperature	40 °C	Drive End Bearing Size	6205
Opp Drive End Bearing Size	6203	UL	Recognized
CSA	Y	CE	N
IP Code	54		

### Technical Specifications

Electrical Type	Squirrel Cage Induction Run	Starting Method	Across The Line
Poles	4	Rotation	Reversible
Mounting	Rigid base	Motor Orientation	HORIZONTAL
Drive End Bearing	BALL	Opp Drive End Bearing	BALL
Frame Material	Rolled Steel	Shaft Type	T
Overall Length	12.43 in	Frame Length	6.50 in
Shaft Diameter	0.875 in	Shaft Extension	2.25 in
Assembly/Box Mounting	F1 ONLY		
Outline Drawing	028765-650	Connection Diagram	005381.01

This is an uncontrolled document once printed or downloaded and is subject to change without notice. Date Created: 10/15/2018

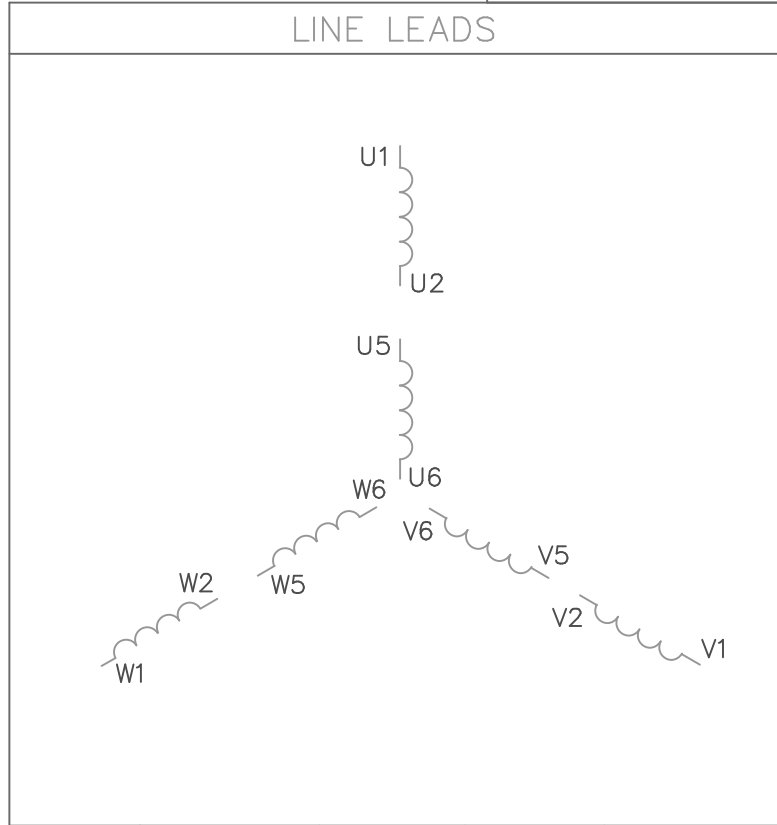
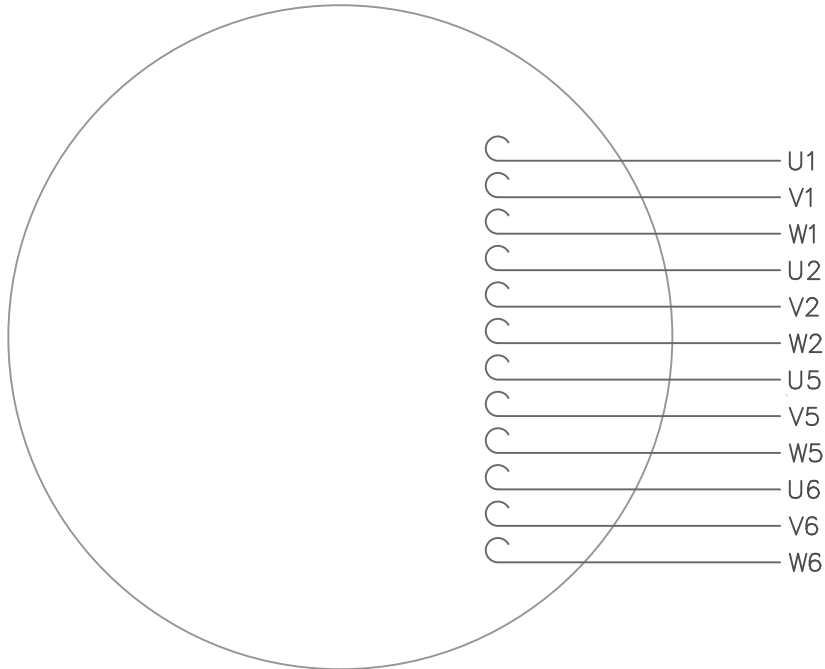


DASH NO.	"C"	"AD 1"	"AD 2"	ORACLE REV	10
600	11.93	3.69	3.19		
650	12.43	4.19	3.69		
675	12.68	4.44	3.94		
700	12.93	4.69	4.19		
725	13.18	4.94	4.44		
750	13.43	5.19	4.69		
800	13.93	5.69	5.19		
850	14.43	6.19	5.69		

NOTE:  
1) GASKETS THROUGHOUT

DRAWING REVISION <b>H</b>	REVISION BY <b>LST</b>	DATE <b>4/10/15</b>	TOLERANCES UNLESS OTHERWISE SPECIFIED: <b>DEC</b> INCH mm ANGLE X ±0.1 [+2.5] ±0.5° XX ±0.03 [+0.76] XXX ±0.005 [+0.127] .XXXX ±0.0005 [+0.0127]	DRAWN BY <b>JJK</b>	Regal Beloit America, Inc.
ECO <b>ECO-0075607</b>	APPROVED BY <b>SK</b>	DATE <b>8/17/2014</b>	REMOVE BURRS & BREAK SHARP EDGES: .003/.015 [.076/.381] CORNER FILLETS: .02 [.51] MACHINED SURFACES: 125 INCH 3.2 mm SHOWN IN [BRACKETS]	DATE <b>06/13/07</b>	
ECO DESCRIPTION <b>UPDATE DASH TABLE</b>				APPROVED BY	DESCRIPTION <b>OUTLINE</b> 140T/56HZ FRAME TEFC - RIGID
COPYRIGHT REGAL BELOIT AMERICA, INC. ALL RIGHTS RESERVED. PROPRIETARY AND CONFIDENTIAL INFORMATION - THIS DOCUMENT IS THE PROPERTY OF REGAL BELOIT AMERICA, INC. (OWNER) AND CONTAINS OWNER'S PROPRIETARY INFORMATION. ANY PERSON, CORPORATION OR OTHER FIRM RECEIVING IT IS DEEMED, BY RECEIVING IT, TO AGREE THAT IT, AND/OR ANY PART OF IT, SHALL NOT BE DISCLOSED TO ANY PERSON, CORPORATION OR OTHER ENTITY, DUPLICATED, AND/OR USED, EXCEPT AS EXPRESSLY APPROVED IN WRITING IN ADVANCE BY OWNER. THIS DOCUMENT SHALL BE RETURNED TO OWNER UPON REQUEST. IT MAY BE SUBJECT TO CERTAIN RESTRICTIONS UNDER APPLICABLE EXPORT CONTROL LAWS AND REGULATIONS.				DATE	MATERIAL
				REFERENCE <b>034941</b>	PROCESS/FINISH GENERAL PURPOSE
				THIRD ANGLE PROJECTION	SIZE <b>B</b>
				DRAWING NUMBER <b>028765</b>	SHEET <b>1 OF 1</b>

VIEW FROM OUTSIDE OF MOTOR AT SWITCH END.



VOLTAGE	L1	L2	L3	JOIN
(2Δ) LOW	U1,W2 U5,W6	V1,U2 V5,U6	W1,V2 W5,V6	-----
(2Y) MEDIUM	U1,U5	V1,V5	W1,W5	(U2,V2,W2) (U6,V6,W6)
(1Δ) HIGH	U1,W6	V1,U6	W1,V6	(U2,U5) (V2,V5) (W2,W5)

				TOLERANCES UNLESS OTHERWISE SPECIFIED	
				DECIMALS	
				.00	± .01
				.000	± .005
1	REDRAWN TO CURRENT STANDARDS	DBT	05/30/97	.0000	± .0005
NO.	REVISION	BY	DATE	FRACTIONS	± 1/64
				ANGLES	± 1/2°
				INCH/MM	

**LEESON** ELECTRIC CORPORATION

EXT. WIRING DIAGRAM  
TYPE "T" W/O PROTECTOR

DECAL - 080590

FINISH STOCK

SIZE A

DRAWING NO. 005381-01

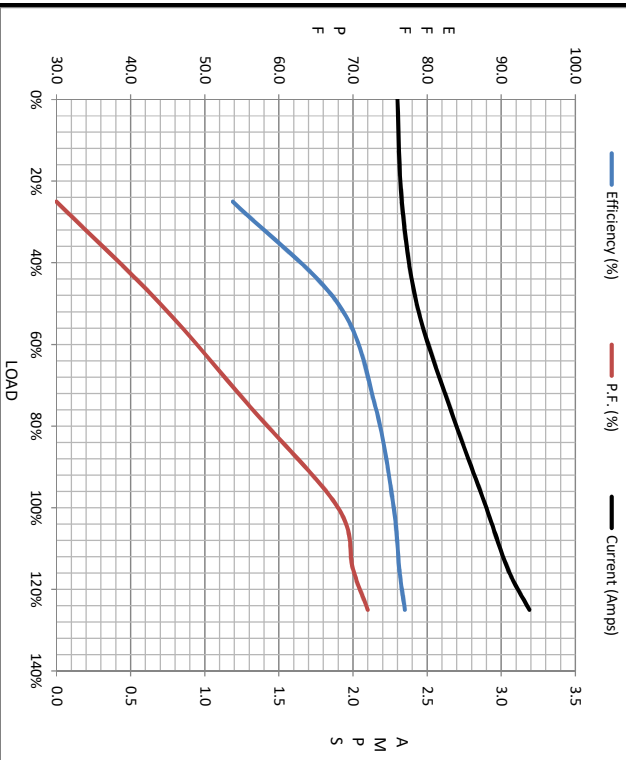


Motor Load Data									
Load	0%	25%	50%	75%	100%	115%	125%	LR	
Current (Amps)	2.30	2.33	2.43	2.65	2.90	3.0	3.2	17.7	
Torque (ft-lb)	0.00	1.35	2.70	4.1	5.4	6.1	6.8	20.7	
RPM	1500	1466	1451	1438	1423	1417	1407	0	
Efficiency (%)		53.8	68.0	73.0	75.5	76.3	77.0		
P.F. (%)	0.0	30.0	44.0	56.0	68.0	70.0	72.0	0.0	

Motor Speed Data					
	LR	Pull-Up	BD	Rated	Idle
Speed (RPM)	0	750	1380	1423	1500
Current (Amps)	17.7	16.3	10.6	2.90	2.30
Torque (ft-lb)	20.7	20.8	23.8	5.4	0.00

Information Block

HP	1.5
Sync. RPM	1500
Frame	140
Enclosure	IP54
Construction	NA
Voltage	220/380/440 V
Frequency	50 Hz
Design	B
LR Code letter	K
Service Factor	1.15
Temp Rise @ FL	85 °C
Duty	CONT
Ambient	40 °C
Elevation	1,000 feet
Rotor/Shaft wk <sup>2</sup>	0.11 LB-Ft <sup>2</sup>
Ref Wdg	T634220 FR
Sound Pressure @ 1M	0 dBA
VFD Rating	NONE
Outline Dwg	028765-650
Conn. Diag	005381.01
Additional Specifications:	
0	
EQUIV CKT (OHMS / PHASE)	
R1	R2
0.0000	0.0000
X1	X2
0.0000	0.0000
Xm	
0.0000	



Speed - Torque Curve

