

PRODUCT INFORMATION PACKET



Model No: C143T11FB2D

Catalog No: 121009.00

3/4HP..1140RPM.143.TEFC.208-230/460V.3PH.60HZ.CONT.NOT.40C.1.15SF.RIGID.GENERAL
PURPOSE.C143T11FB2D

Totally Enclosed Fan Cooled (TEFC)



Regal and Leeson are trademarks of Regal Beloit Corporation or one of its affiliated companies.

©2018 Regal Beloit Corporation, All Rights Reserved. MC017097E





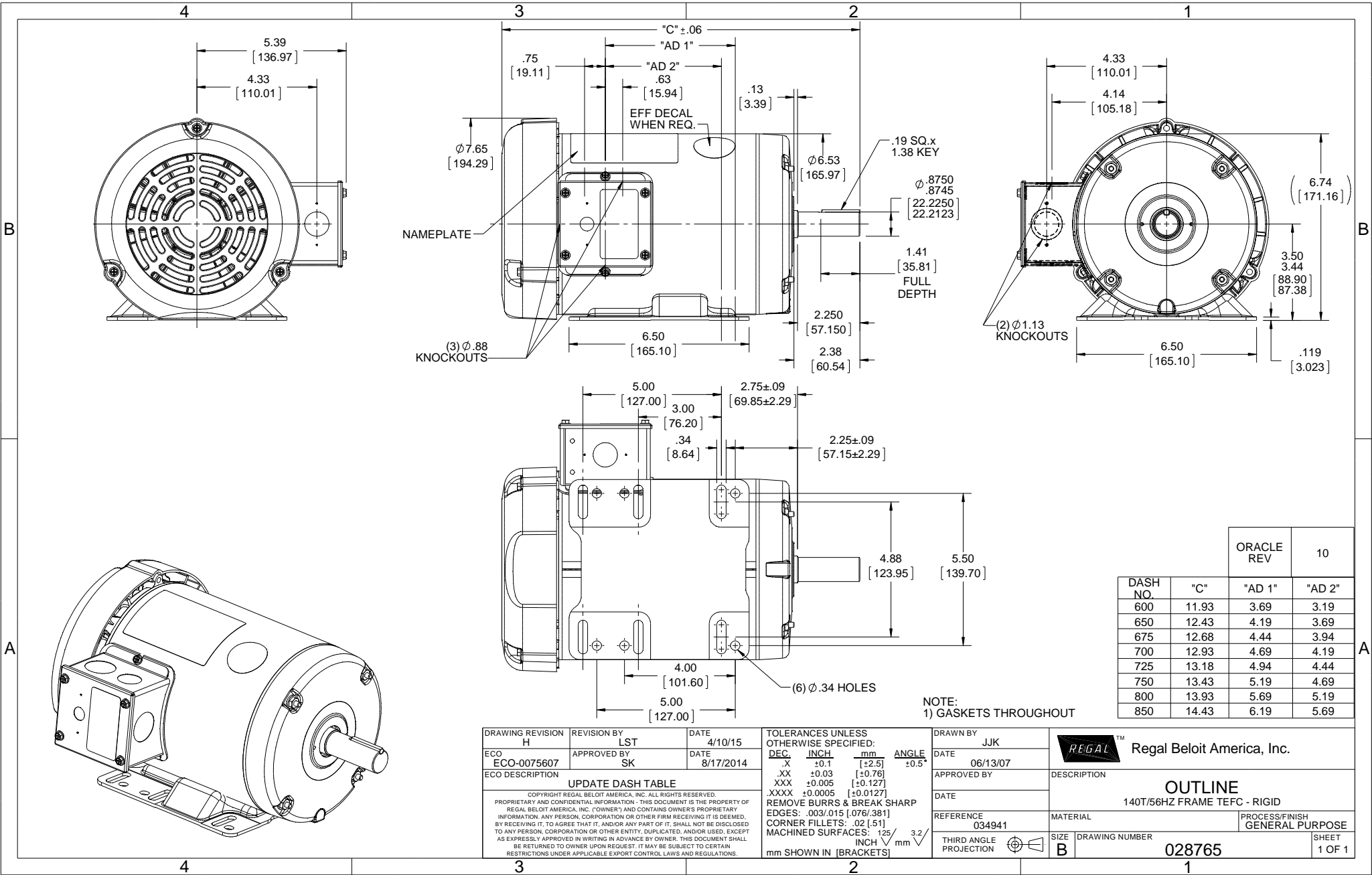
Nameplate Specifications

Output HP	0.75 Hp	Output KW	0.56 kW
Frequency	60 Hz	Voltage	208-230/460 V
Current	3.0/1.5 A	Speed	1140 rpm
Service Factor	1.15	Phase	3
Efficiency	75.5 %	Duty	Continuous
Insulation Class	B	Design Code	B
KVA Code	J	Frame	143
Enclosure	Totally Enclosed Fan Cooled	Overload Protector	No
Ambient Temperature	40 °C	Drive End Bearing Size	6205
Opp Drive End Bearing Size	6203	UL	Recognized
CSA	Y	CE	N
IP Code	54		

Technical Specifications

Electrical Type	Squirrel Cage Induction Run	Starting Method	Across The Line
Poles	6	Rotation	Reversible
Mounting	Rigid base	Motor Orientation	HORIZONTAL
Drive End Bearing	BALL	Opp Drive End Bearing	BALL
Frame Material	Rolled Steel	Shaft Type	NEMA 56
Overall Length	12.43 in	Frame Length	6.50 in
Shaft Diameter	0.875 in	Shaft Extension	2.25 in
Assembly/Box Mounting	F1 ONLY		
Outline Drawing	028765-650	Connection Diagram	005010.01

This is an uncontrolled document once printed or downloaded and is subject to change without notice. Date Created: 10/15/2018



DASH NO.	"C"	"AD 1"	"AD 2"	ORACLE REV	10
600	11.93	3.69	3.19		
650	12.43	4.19	3.69		
675	12.68	4.44	3.94		
700	12.93	4.69	4.19		
725	13.18	4.94	4.44		
750	13.43	5.19	4.69		
800	13.93	5.69	5.19		
850	14.43	6.19	5.69		

NOTE:
1) GASKETS THROUGHOUT

DRAWING REVISION H	REVISION BY LST	DATE 4/10/15	TOLERANCES UNLESS OTHERWISE SPECIFIED: DEC INCH mm ANGLE .X ±0.1 [+2.5] ±0.5° .XX ±0.03 [+0.76] .XXX ±0.005 [+0.127] .XXXX ±0.0005 [+0.0127]	DRAWN BY JJK	Regal Beloit America, Inc.
ECO ECO-0075607	APPROVED BY SK	DATE 8/17/2014	REMOVE BURRS & BREAK SHARP EDGES: .003/.015 [.076/.381] CORNER FILLETS: .02 [.51] MACHINED SURFACES: 125 INCH 3.2 mm SHOWN IN [BRACKETS]	DATE 06/13/07	
ECO DESCRIPTION UPDATE DASH TABLE COPYRIGHT REGAL BELOIT AMERICA, INC. ALL RIGHTS RESERVED. PROPRIETARY AND CONFIDENTIAL INFORMATION - THIS DOCUMENT IS THE PROPERTY OF REGAL BELOIT AMERICA, INC. (OWNER) AND CONTAINS OWNER'S PROPRIETARY INFORMATION. ANY PERSON, CORPORATION OR OTHER FIRM RECEIVING IT IS DEEMED, BY RECEIVING IT, TO AGREE THAT IT, AND/OR ANY PART OF IT, SHALL NOT BE DISCLOSED TO ANY PERSON, CORPORATION OR OTHER ENTITY, DUPLICATED, AND/OR USED, EXCEPT AS EXPRESSLY APPROVED IN WRITING IN ADVANCE BY OWNER. THIS DOCUMENT SHALL BE RETURNED TO OWNER UPON REQUEST. IT MAY BE SUBJECT TO CERTAIN RESTRICTIONS UNDER APPLICABLE EXPORT CONTROL LAWS AND REGULATIONS.				APPROVED BY	DESCRIPTION OUTLINE 140T/56HZ FRAME TEFC - RIGID
				DATE	MATERIAL
				REFERENCE 034941	PROCESS/FINISH GENERAL PURPOSE
				THIRD ANGLE PROJECTION	SIZE B
					DRAWING NUMBER 028765
					SHEET 1 OF 1

005010-01

VIEW FROM OUTSIDE OF MOTOR AT SWITCH END.



VOLTAGE	L1	L2	L3	JOIN & INSULATE
HIGH	T1	T2	T3	(T4,T7) (T5,T8) (T6,T9)
LOW	T1,T7	T2,T8	T3,T9	T4,T5,T6

				TOLERANCES UNLESS SPECIFIED		REGAL ™ Regal Beloit America, Inc.		DRAWN RDW 04/12/02			
				DEC.	INCHES			CHK			
				.X	±.1			APPD			
				.XX	±.01			SCALE 1=1			
				.XXX	±.005	TITLE		REF FIG.2-51			
A	UPDATED TO REGAL LOGO	SAJ 06/26/15	AJY	.XXXX	±.0005	MAT'L.		FMF			
NO.	REVISION	BY & DATE	CHK	ANG	±1/2"	FINISH		PREV			
THIS DRAWING IN DESIGN AND DETAIL IS OUR PROPERTY AND MUST NOT BE USED EXCEPT IN CONNECTION WITH OUR WORK ALL RIGHTS OF DESIGN AND INVENTION ARE RESERVED THIS IS AN ELECTRONICALLY GENERATED DOCUMENT - DO NOT SCALE THIS PRINT				RFP	04/12/02	CAD FILE		00501001	SIZE	DRAWING NO.	REV.
				DIST	BRF-NLV			A	005010-01	A	



P.O. BOX 8003
WAUSAU, WI 54401-8003
PH. 715-675-3311

DATA VOLTS: 460

CERTIFICATION DATA SHEET

CONN. DIAGRAM: 005010.01
OUTLINE: 028765-650
WINDING: T63642

CAT #: 121009.00

FR 3

TYPICAL MOTOR PERFORMANCE DATA

HP	KW	SYNC RPM	FL RPM	FRAME	ENCLOSURE	TYPE	KVA CODE	DESIGN	
0.75	0.56	1200	1155	143	TEFC	NA	J	B	
PH	HZ	VOLTS	AMPS	START TYPE	DUTY	INSL	S.F.	AMB	ELEV.
3	60	208-230/460	3.05/1.5	ACROSS THE LINE	CONT	B	1.15	40	3300
F.L. EFF		75.5	3/4 LD EFF	74.0	1/2 LD EFF	70.4	GTD EFF	ELECT. TYPE	
F.L. PF		62.0	3/4 LD PF	50.0	1/2 LD PF	39.2	0.0	SQ CAGE IND RUN	
F.L. TORQUE		LR AMPS @ 460 V		L.R. TORQUE	B.D. TORQUE		F.L. RISE (°C)		
3.4 LB-FT		7.2		7.8 LB-FT	10.5 LB-FT		309%		
PRESSURE @ 3		POWER	ROTOR WK²	MAX. LOAD WK²	SAFE STALL TIME	STARTS/HOUR	MOTOR WGT		
999 DBA		1008 DBA	0.09 LB-FT²	0.1 LB-FT²	0 SEC.	0	0 LB.		

*** SUPPLEMENTAL INFORMATION ***

DE BRACKET TYPE	ODE BRACKET TYPE	MOUNT TYPE	MOTOR ORIENTATION	SEVERE DUTY	HAZARDOUS LOCATION	DRIP COVER	SCREENS	PAINT
STANDARD	STANDARD	RIGID	HORIZONTAL	NO	NONE	NO	NONE	JE-LEESON/ENAM
BEARINGS		GREASE	SHAFT TYPE	SPECIAL DE	SPECIAL ODE	SHAFT	MATERIAL	FRAME MATERIAL
DE	ODE	POLYREX EM	STANDARD 56	NONE	NONE	1144 STRESSPROOF (C-223)	ROLLED STEEL	
6205	6203							
THERMOSTATS		PROTECTORS	WDG RTD's	BRG RTD's	THERMISTORS	CONTROL	SPACE HEATERS	
NONE		NOT	NONE	NONE	NONE	FALSE	NA	
R1 (ohms/ph)	R2 (ohms/ph)	X1 (ohms/ph)	X2 (ohms/ph)	Xm (ohms/ph)	VIBRATION (in/sec)	FLOAT	ODE	
0	0	0	0	0	0.080			

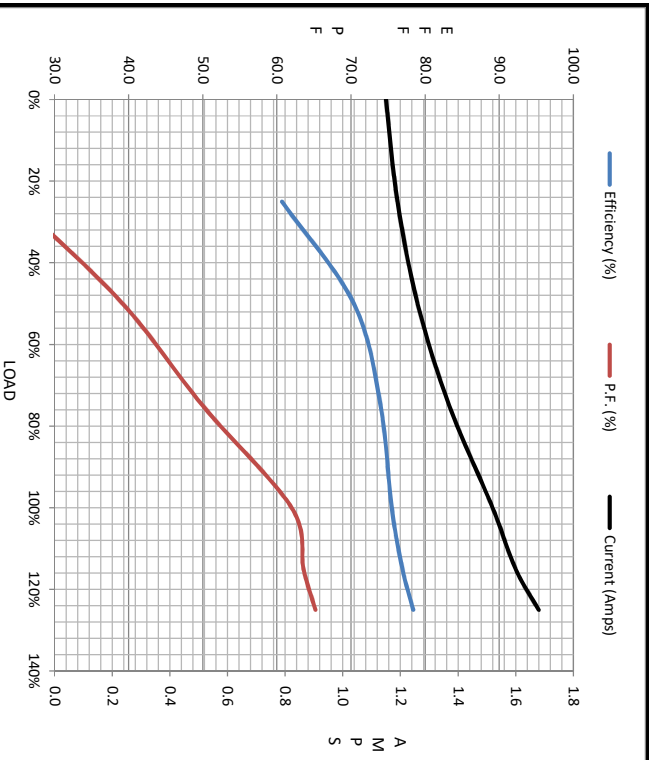
* NOT TESTED		INVERTER TORQUE: NONE		INV. HP SPEED RANGE: NONE	
ENCODER: NONE		BRAKE: NONE		NONE PPR	
NONE		NONE		NONE	
NONE		NONE		NONE	
NONE		NONE		NONE	

DATE:	1/23/2018	FT-LB:	NA	NONE	HZ:
UL: Y-(LEESON UL REC)		VOLTAGE:	NONE	NONE	



Motor Load Data						
Load	0%	25%	50%	75%	100%	LR
Current (Amps)	1.15	1.19	1.26	1.37	1.52	7.2
Torque (ft-lb)	0.00	0.85	1.70	2.50	3.4	7.8
RPM	1200	1190	1180	1168	1155	0
Efficiency (%)		60.7	70.4	74.0	75.5	
P.F. (%)	9.6	25.0	39.2	50.0	62.0	0.0

Motor Speed Data							Information Block																										
	LR	Pull-Up	BD	Rated	Idle		HP	Sync. RPM	Frame	Enclosure	Construction	Voltage	Frequency	Design	LR Code letter	Service Factor	Temp Rise @ FL	Duty	Ambient	Elevation	Rotor/Shaft wk ²	Rel Wdg	Sound Pressure @ 1M	VFD Rating	Outline Dwg	Conn. Diag	Additional Specifications:	R1	R2	X1	X2	Xm	
Speed (RPM)	0	600	1104	1155	1200		0.8	1200	140	TEFC	NA	208-230/460	60	B	J	1.15	66	CONT	40	1,000	0.09	FR	999	NONE	028765-650	005010.01		0.0000	0.0000	0.0000	0.0000	0.0000	
Current (Amps)	7.2	6.6	4.3	1.52	1.15																												
Torque (ft-lb)	7.8	7.8	10.5	3.4	0.00																												



EQUIV CKT (OHMS / PHASE)			
R1	R2	X1	Xm
0.0000	0.0000	0.0000	0.0000

