

PRODUCT INFORMATION PACKET



Model No: C143C17DK1F

Catalog No: 120996.00

1HP..1740RPM.143.DP./V.1PH.60HZ.CONT.NOT.40C.1.15SF.RIGID C.JM PUMP.C143C17DK1F
JM



Regal and Leeson are trademarks of Regal Beloit Corporation or one of its affiliated companies.

©2018 Regal Beloit Corporation, All Rights Reserved. MC017097E





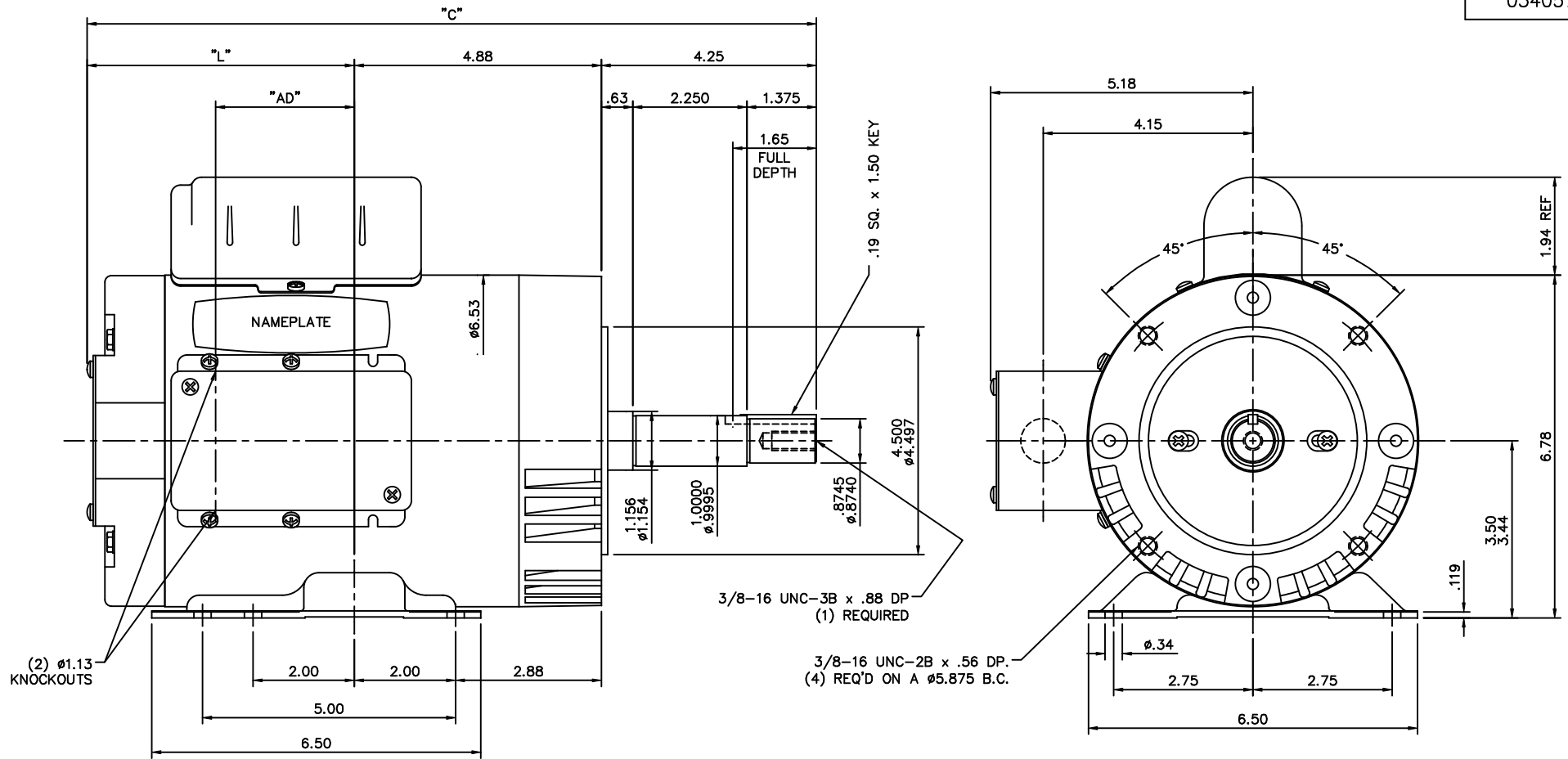
Nameplate Specifications

Output HP	1 Hp	Output KW	0.75 kW
Frequency	60 Hz	Voltage	115/208-230 V
Current	12.8/6.4 A	Speed	1740 rpm
Service Factor	1.15	Phase	1
Efficiency	75 %	Duty	Continuous
Insulation Class	B	Design Code	L
KVA Code	K	Frame	143JM
Enclosure	Drip Proof	Overload Protector	No
Ambient Temperature	40 °C	Drive End Bearing Size	6206
Opp Drive End Bearing Size	6203	UL	Recognized
CSA	Y	CE	N
IP Code	22		

Technical Specifications

Electrical Type	Capacitor Start Induction Run	Starting Method	Across The Line
Poles	4	Rotation	Selective Counterclockwise
Mounting	Rigid base	Motor Orientation	HORIZONTAL
Drive End Bearing	BALL	Opp Drive End Bearing	BALL
Frame Material	Rolled Steel	Shaft Type	JM
Overall Length	13.91 in	Frame Length	6.50 in
Shaft Diameter	0.875 in	Shaft Extension	4.28 in
Assembly/Box Mounting	F1 ONLY		
Outline Drawing	034057-F143JM	Connection Diagram	005005.01

This is an uncontrolled document once printed or downloaded and is subject to change without notice. Date Created: 10/15/2018



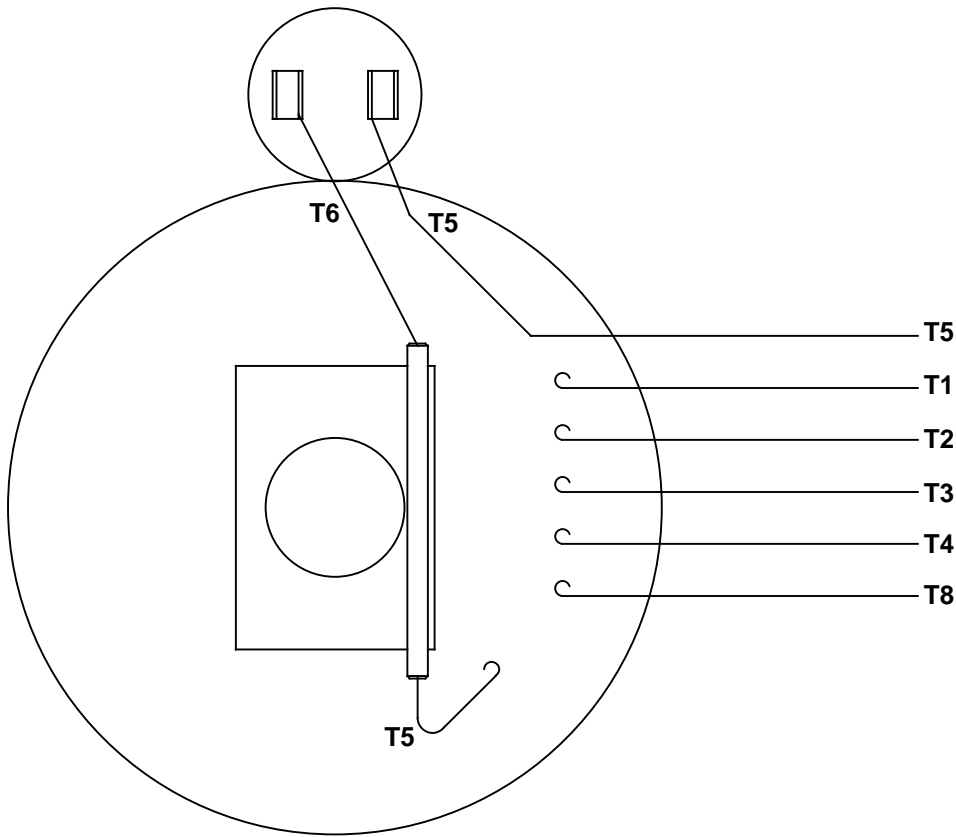
MAXIMUM FACE RUNOUT .004 TIR
 MAXIMUM PILOT ECCENTRICITY .004 TIR
 PERMISSIBLE SHAFT RUNOUT TO BE .002 TIR
 TAPPED HOLE IN SHAFT ±.003 CENTERLINE OF SHAFT

FRAME	"C"	"L"	"AD"
E143JM	13.41	4.28	1.74
F143JM	13.91	4.78	2.24
G143JM	14.41	5.28	2.74
H143JM	14.91	5.78	3.24
J143JM	15.41	6.28	3.74
K143JM	15.91	6.78	4.24

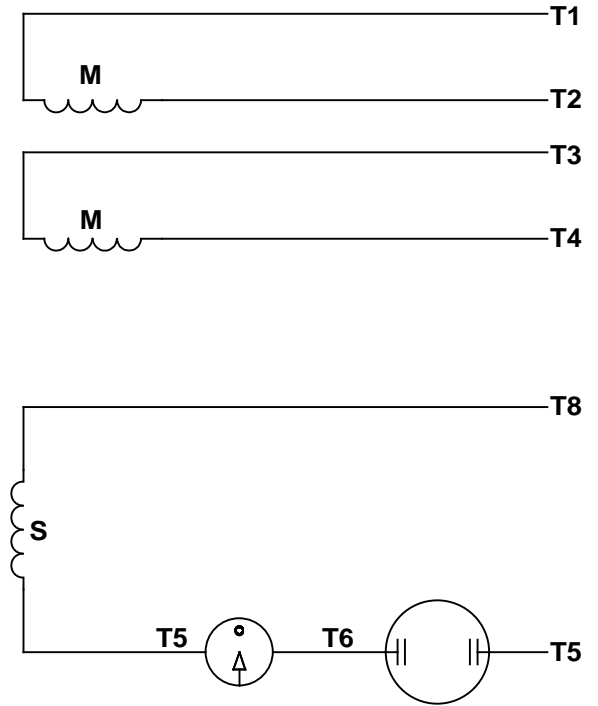
				TOLERANCES UNLESS OTHERWISE SPECIFIED			LEESON ELECTRIC CORPORATION		
				DEC.	INCHES	METRIC	DRAWN	PG	TITLE
				.X	±.1	±2.5	PG 4/1/92		OUTLINE - 143JM FRAME
O2 REMOVED DRIP COVER PER ECO #01-813				KMM 6/19/01	RDW	±.03	±.75	APPR. RPB 4/1/92	OPEN DRIP PROOF - RIGID "C" FACE
D1 KEY WAS 1.00"				KMM 08/02/95	KZ	±.005	±.127	R.F.P.	MAT'L.
NO. REVISION				BY & DATE	CHK'D.	.XXXX	±.0005	±.0127	SCALE 1=2
THIS DRAWING IN DESIGN AND DETAIL IS OUR PROPERTY AND MUST NOT BE USED EXCEPT IN CONNECTION WITH OUR WORK ALL RIGHTS OF DESIGN AND INVENTION ARE RESERVED THIS IS AN ELECTRONICALLY GENERATED DOCUMENT - DO NOT SCALE THIS PRINT				FRACTIONS		±1/64	REF. 033482	FINISH	REV. 02
				ANGLES		±1/2°	FMF 143C11DK1	STANDARD	DRAWING NO. 034057

```
ERROR: syntaxerror
OFFENDING COMMAND: --nostringval--
STACK:
  /im
  -savelevel -
```

VIEW FROM OUTSIDE OF MOTOR AT SWITCH END.



LINE LEADS



RBC PROPRIETARY AND CONFIDENTIAL INFORMATION
 This document is the property of REGAL BELOIT CORPORATION ("RBC") including its subsidiaries and divisions and contains proprietary information of RBC. This document is loaned on the express condition that neither it nor the information contained therein shall be disclosed to others without the express written consent of RBC, and that the information shall be used by the recipient only as approved expressly by RBC. This document shall be returned to RBC upon its request. This document may be subject to certain restrictions under U.S. export control laws and regulations.

	ROTATION FACING LEAD END	L1	L2	JOIN
HIGH VOLT	C.C.W.	T1	T4, T5	T2, T3, T8
	C.W.	T1	T4, T8	T2, T3, T5
LOW VOLT	C.C.W.	T1, T3, T8	T2, T4, T5	-----
	C.W.	T1, T3, T5	T2, T4, T8	-----

--	REDRAWN IN SOLIDWORKS	VJB 02/16/11	TOLERANCES UNLESS SPECIFIED		LEESON	ELECTRIC MOTORS GEARMOTORS AND DRIVES	DRAWN ADH 08/06/73
27	UPDATED TO CURRENT STANDARDS	DBT 05/27/97	DEC	INCHES			CHK
26	ADDED PAGE 32 (114787) & PAGE 33 (114788)	KAZ 12/20/95	PG	.X ±.1	TITLE EXTERNAL WIRING DIAGRAM TYPE "C" W/O PROTECTOR		APPR JCW 03/09/79
25	ADDED PAGE 31	KAZ 04/19/95	DL	.XX ±.01			SCALE 1:1
24	ADDED PAGES 29 & 30	KMM 03/30/95	DL	.XXX ±.005	MAT'L DECAL - 004012		REF FIG 2-23 C4A
23	ADDED PAGE 28	KMM 01/27/95		.XXX ±.0005			FMF MGI-2.4B
NO	REVISION	BY & DATE	CHK	ANG ±1/2°	FINISH	PAGE	OF
THIRD ANGLE PROJECTION			RFP	PREV	SIZE	DRAWING NO	REV
			NETWORK FILE NAME 00500501		A	005005-01	--



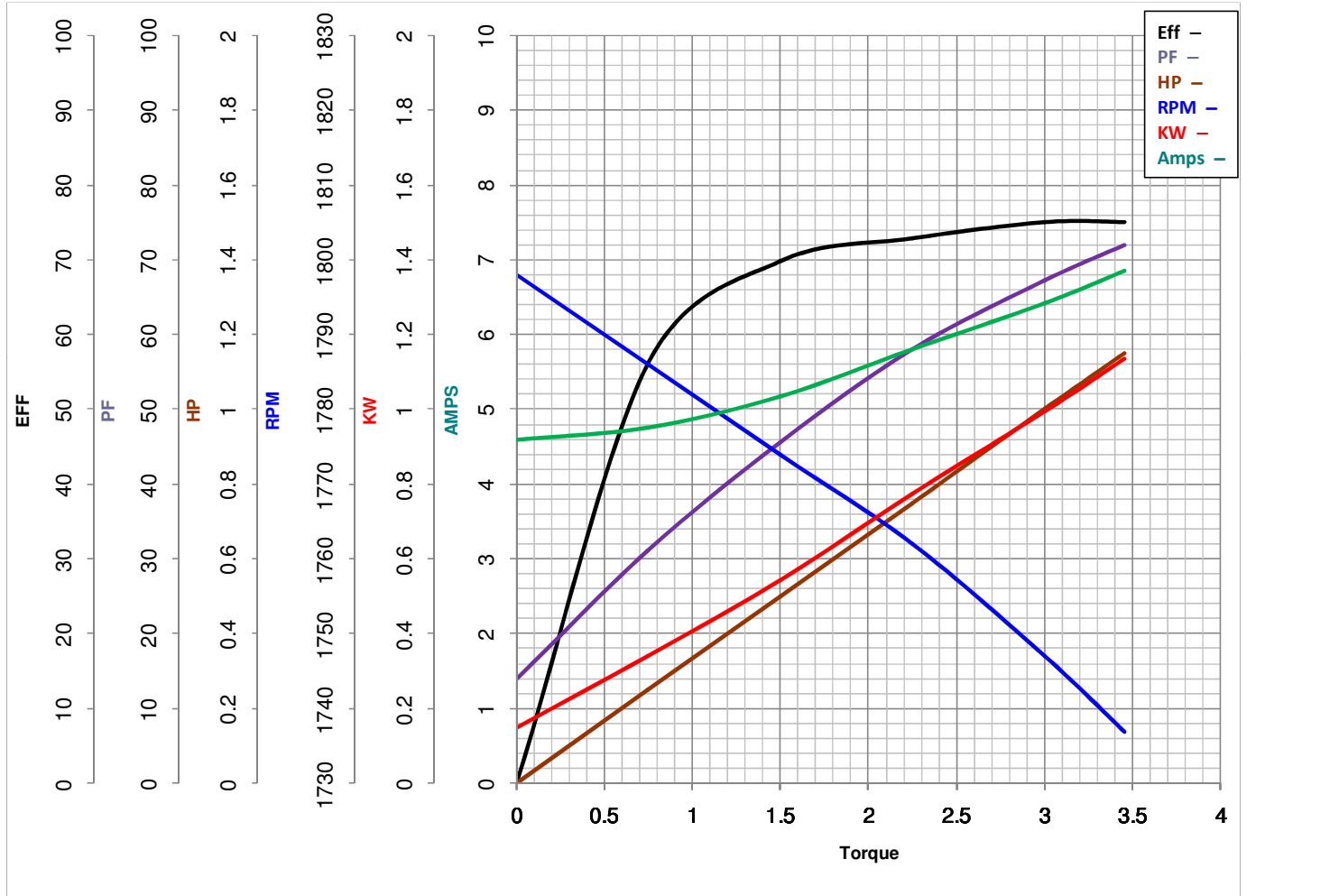
LEESON ELECTRIC CORPORATION
 TYPICAL PERFORMANCE CURVE for AC MOTOR

Model No 120996.00

Catalog No 120996.00

Curve at 230 Volts HP 1.00 PHASE 1
60 HZ
1 HP VOLTS 115/208-230

HZ 60 RPM 1740



FL TORQUE	<u>3</u>	Lb.Ft	FL AMPS	<u>12.8/6.4</u>
BD TORQUE	<u>6.9</u>	Lb.Ft	PU TORQUE	<u>6.7</u> Lb.Ft
LR TORQUE	<u>9</u>	Lb.Ft	LR AMPS	<u>33</u>
WINDING	C634256-3		Date	3/16/2018