

PRODUCT INFORMATION PACKET



Model No: C145K17DK8E

Catalog No: 120994.00

..1 1/2HP..1740RPM.145.DP.115/208-230V.1PH.60HZ.CONT.40C.1.15SF.RIGID C.C145K17DK8E.....JM
PUMP.NOT.....

JM



Regal and Leeson are trademarks of Regal Beloit Corporation or one of its affiliated companies.

©2018 Regal Beloit Corporation, All Rights Reserved. MC017097E





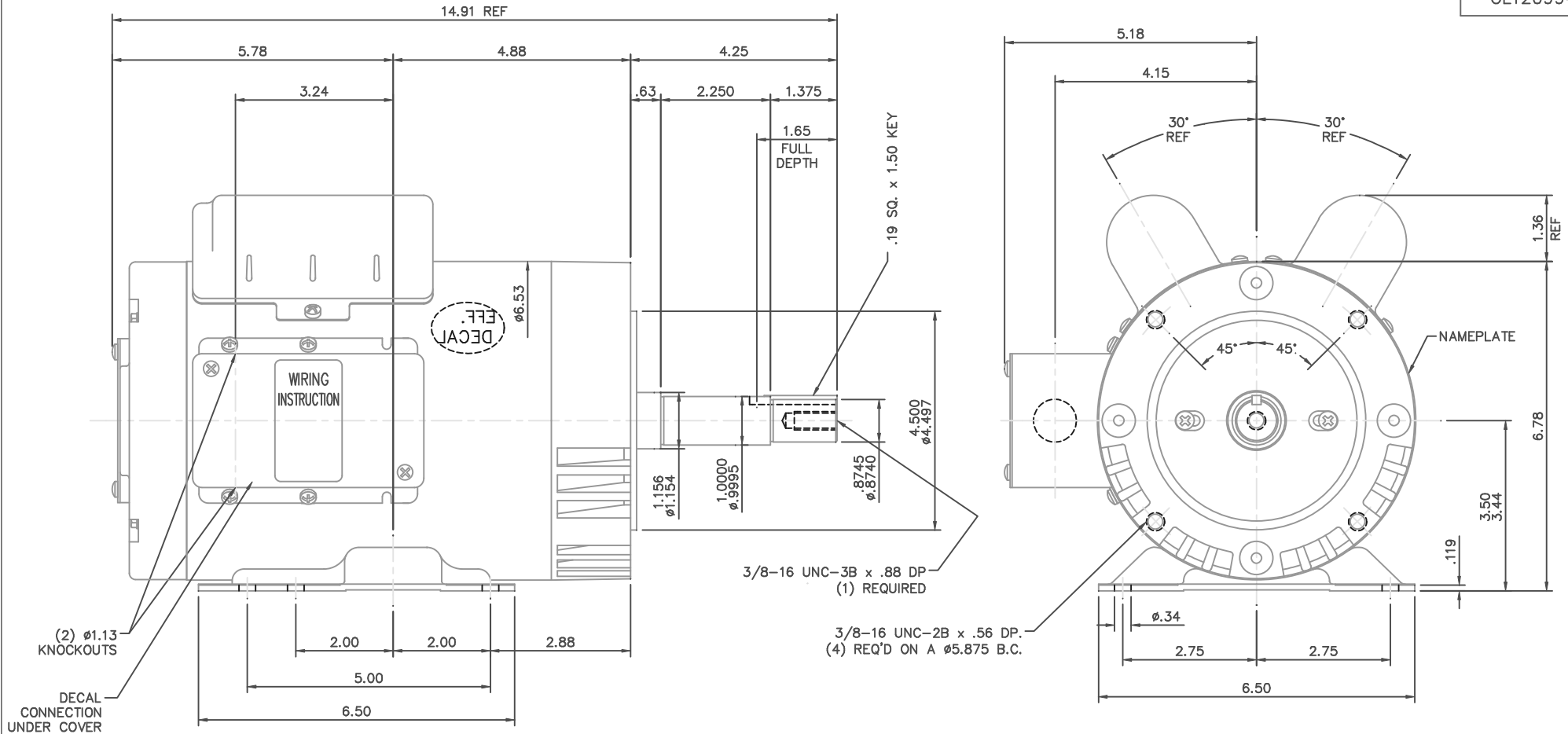
Nameplate Specifications

Output HP	1.50 Hp	Output KW	1.1 kW
Frequency	60 Hz	Voltage	115/208-230 V
Current	17.2/8.8-8.6 A	Speed	1740 rpm
Service Factor	1.15	Phase	1
Efficiency	79 %	Duty	Continuous
Insulation Class	B	Design Code	L
KVA Code	J	Frame	145JM
Enclosure	Drip Proof	Overload Protector	No
Ambient Temperature	40 °C	Drive End Bearing Size	6206
Opp Drive End Bearing Size	6203	UL	Recognized
CSA	Y	CE	N
IP Code	22		

Technical Specifications

Electrical Type	Capacitor Start Capacitor Run	Starting Method	Across The Line
Poles	4	Rotation	Selective Counterclockwise
Mounting	Rigid base	Motor Orientation	HORIZONTAL
Drive End Bearing	BALL	Opp Drive End Bearing	BALL
Frame Material	Rolled Steel	Shaft Type	JM
Overall Length	14.91 in	Frame Length	7.50 in
Shaft Diameter	0.875 in	Shaft Extension	4.21 in
Assembly/Box Mounting	F1 ONLY		
Outline Drawing	OL120994	Connection Diagram	005054.01

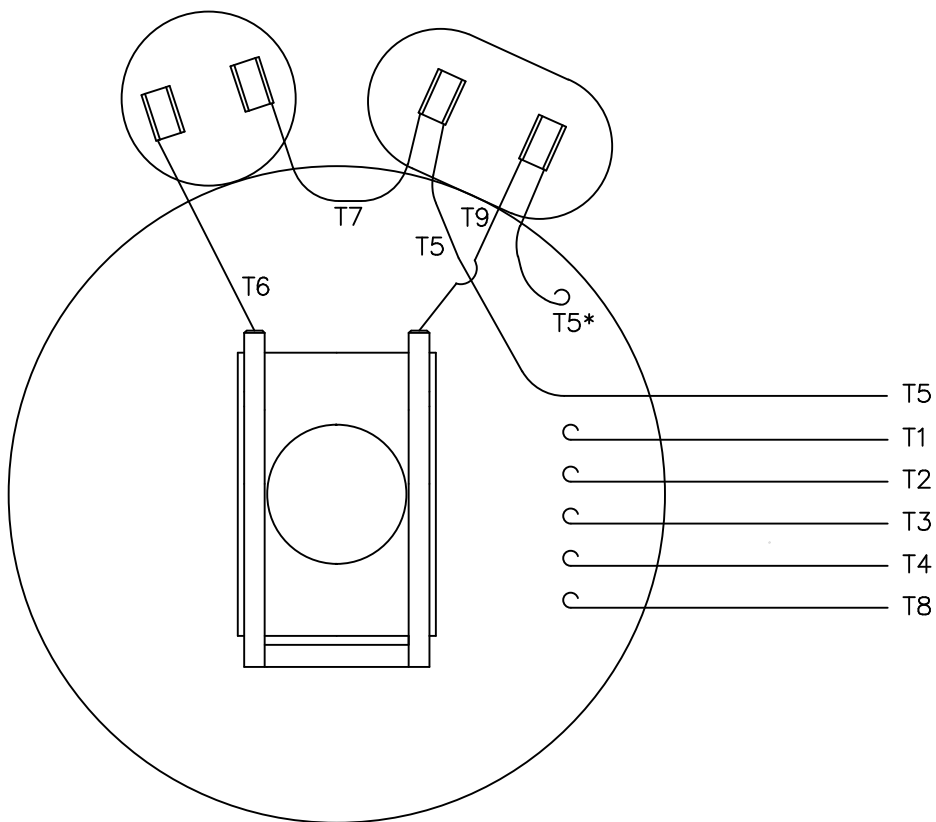
This is an uncontrolled document once printed or downloaded and is subject to change without notice. Date Created: 10/15/2018



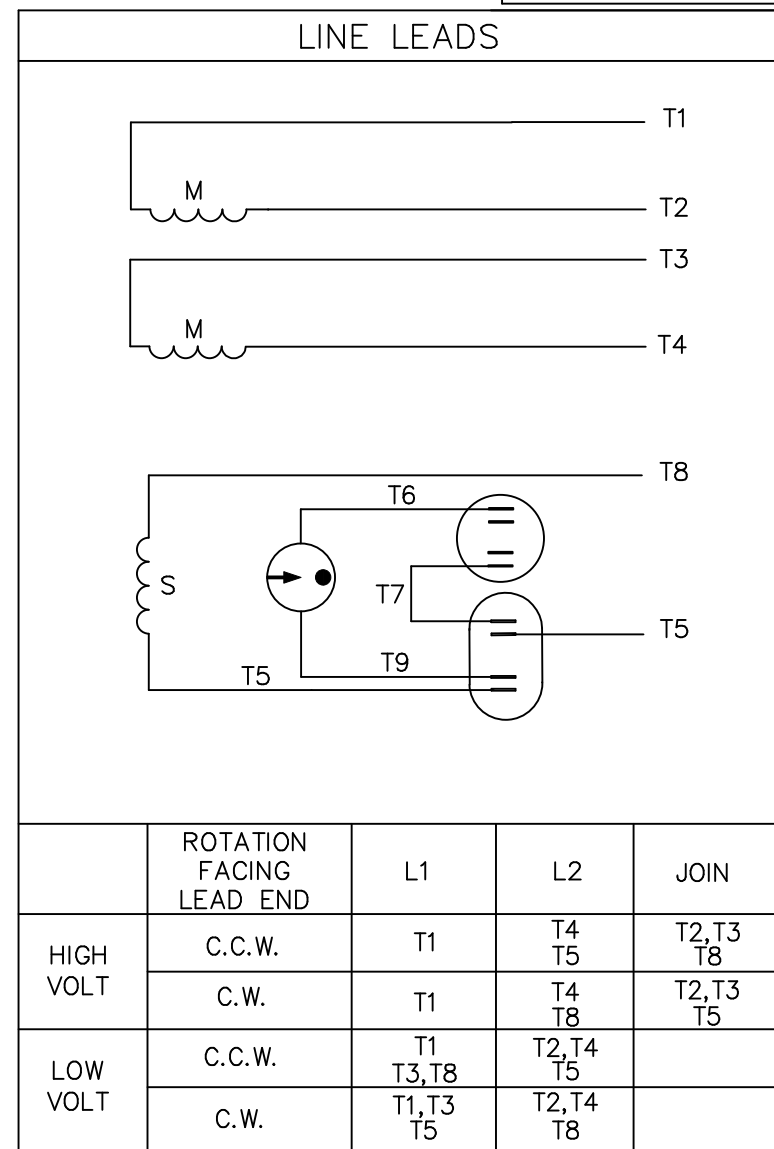
MAXIMUM FACE RUNOUT .004 TIR
 MAXIMUM PILOT ECCENTRICITY .004 TIR
 PERMISSIBLE SHAFT RUNOUT TO BE .002 TIR
 TAPPED HOLE IN SHAFT ±.003 CENTERLINE OF SHAFT

				TOLERANCES UNLESS OTHERWISE SPECIFIED			LEESON ELECTRIC CORPORATION			
				DEC.	INCHES	METRIC				
				.X	±.1	±2.5	DRAWN	BPW 12/16/99	TITLE	OUTLINE -- 143JM FRAME
02	ADDED DECALS	RLW 8/2/01		.XX	±.03	±.76	APPR.	GS 1/4/00	OPEN DRIP PROOF -- RIGID "C" FACE	
01	REDRAWN, RMV'D DRIP COVER PER ECO #01-815	KMM 6/19/01	RDW	.XXX	±.005	±.127	R.F.P.	MAT'L.		
NO.	REVISION	BY & DATE	CH'K'D.	.XXXX	±.0005	±.0127	SCALE	1=2		
THIS DRAWING IN DESIGN AND DETAIL IS OUR PROPERTY AND MUST NOT BE USED EXCEPT IN CONNECTION WITH OUR WORK. ALL RIGHTS OF DESIGN AND INVENTION ARE RESERVED. THIS IS AN ELECTRONICALLY GENERATED DOCUMENT -- DO NOT SCALE THIS PRINT.				FRACTIONS	±1/64	REF.	034058	FINISH	REV.	DRAWING NO.
				ANGLES	±1/2°	FMF	120994.00	STANDARD	02	OL120994

VIEW FROM OUTSIDE OF MOTOR AT SWITCH END.



* THIS LEAD MAY BE WHITE



NO.	REVISION	BY & DATE	CHK	TOLERANCES UNLESS SPECIFIED	
				DEC.	INCHES
				.X	±.1
11	ALTERNATE T5 LEAD MARKING WAS RED	RLW 8/6/02	.XX	±.01	
10	ADDED ALTERNATE T5 LEAD MARKING	RLW 6/5/02	KH	.XXX	±.005
09	REDRAWN TO CAD	DBT 05/28/97		.XXXX	±.0005
				ANG	±1/2°



ELECTRIC MOTORS
GEARMOTORS
AND DRIVES

DRAWN	JRW 09/27/74
CHK	TEM
APPD	10/11/74
SCALE	1=1
REF	A-005053
FMF	W-K6343
PREV	

TITLE
EXT. WIRING DIAGRAM
TYPE "K" W/O PROTECTOR

MAT'L. DECAL-004012

FINISH

THIS DRAWING IN DESIGN AND DETAIL IS OUR PROPERTY AND MUST NOT BE USED EXCEPT IN CONNECTION WITH OUR WORK ALL RIGHTS OF DESIGN AND INVENTION ARE RESERVED THIS IS AN ELECTRONICALLY GENERATED DOCUMENT - DO NOT SCALE THIS PRINT

RFP CAD FILE 00505401
DIST BRF-NLV

SIZE A DRAWING NO. 005054-01 REV. 11

