

PRODUCT INFORMATION PACKET



Model No: C143C17WB1M

Catalog No: 120589.00

1HP..1740RPM.143.TEFC./V.1PH.60HZ.CONT.NOT.40C.1.15SF.RIGID.WASHGUARD.N143C17WB1M

General Purpose



Regal and Leeson are trademarks of Regal Beloit Corporation or one of its affiliated companies.

©2018 Regal Beloit Corporation, All Rights Reserved. MC017097E





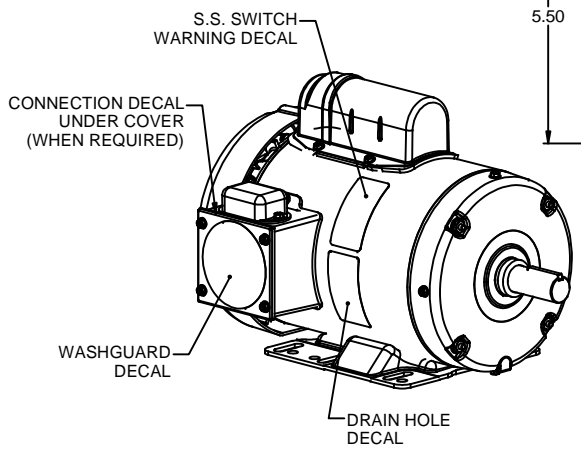
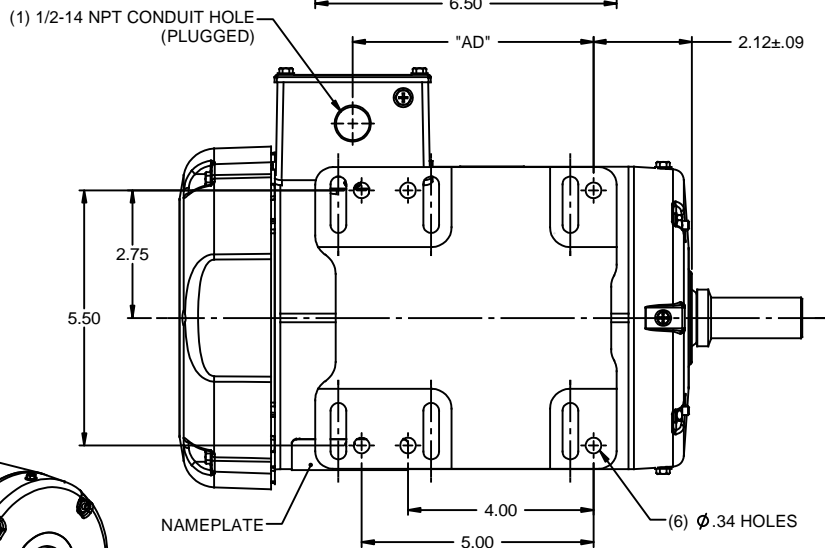
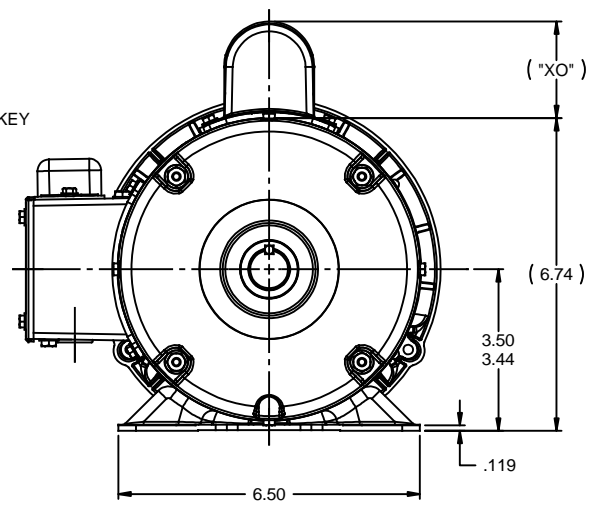
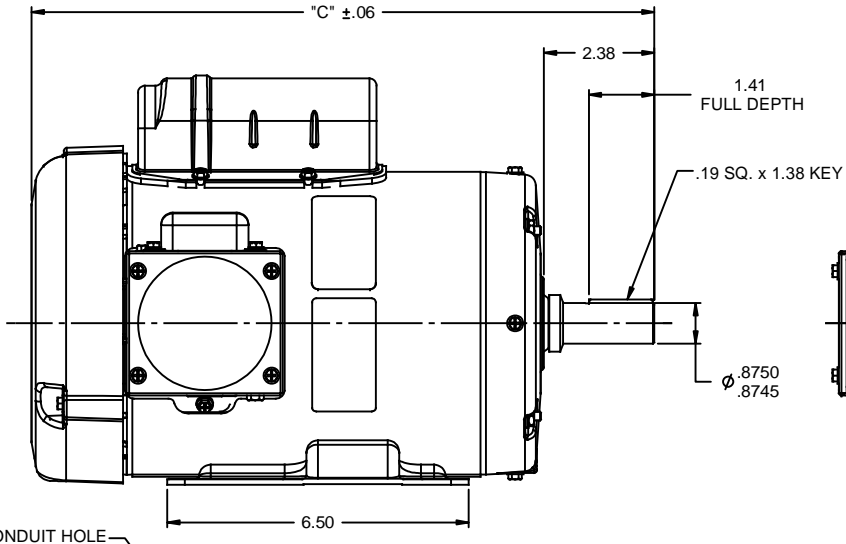
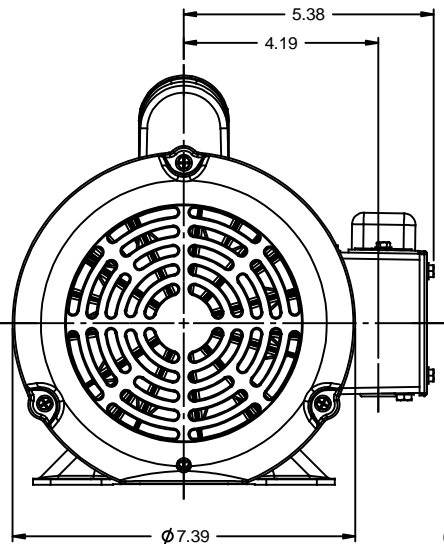
Nameplate Specifications

Output HP	1 Hp	Output KW	0.75 kW
Frequency	60 Hz	Voltage	115/208-230 V
Current	12.8/6.4 A	Speed	1740 rpm
Service Factor	1.15	Phase	1
Efficiency	75 %	Duty	Continuous
Insulation Class	F	Design Code	N
KVA Code	K	Frame	143T
Enclosure	Totally Enclosed Fan Cooled	Overload Protector	No
Ambient Temperature	40 °C	Drive End Bearing Size	6205
Opp Drive End Bearing Size	6203	UL	Recognized
CSA	Y	CE	N
IP Code	55		

Technical Specifications

Electrical Type	Capacitor Start Induction Run	Starting Method	Across The Line
Poles	4	Rotation	Selective Counterclockwise
Mounting	Rigid base	Motor Orientation	HORIZONTAL
Drive End Bearing	BALL	Opp Drive End Bearing	BALL
Frame Material	Rolled Steel	Shaft Type	T
Overall Length	12.43 in	Frame Length	6.50 in
Shaft Diameter	0.875 in	Shaft Extension	2.25 in
Assembly/Box Mounting	F1 ONLY		
Outline Drawing	607-0012-650B	Connection Diagram	005278.07

This is an uncontrolled document once printed or downloaded and is subject to change without notice. Date Created: 10/15/2018



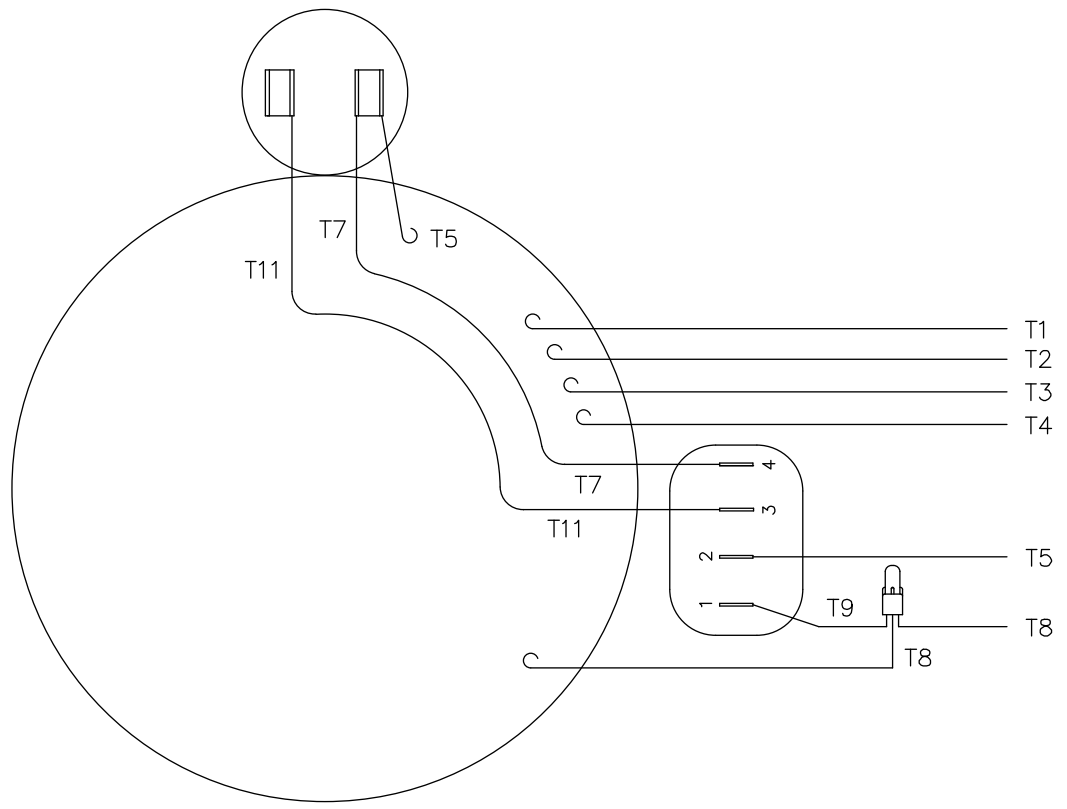
WASHGUARD MOTOR

- SPECIAL FEATURES:
1. SHAFT SEALS & V-RING.
 2. PLUGGED DRAIN HOLES IN ENDBELLS & CONDUIT BOX.
 3. BUNA-N GASKETS THROUGHOUT.
 4. STAINLESS STEEL SHAFT, HARDWARE & NAMEPLATE.
 5. SOLID STATE SWITCH MOUNTED TO CONDUIT BOX.

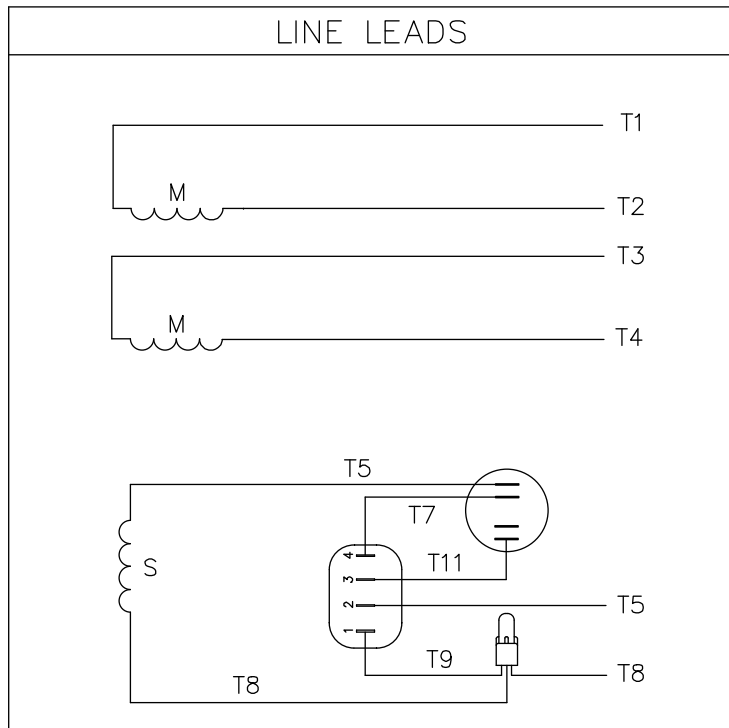
DASH NO.	"C"	"AD"	"XO"	DASH NO.	"C"	"AD"	"XO"
650A	12.43	4.19	2.00	650B	12.43	4.19	2.25
700A	12.93	4.69	2.00	700B	12.93	4.69	2.25
750A	13.43	5.19	2.00	750B	13.43	5.19	2.25
800A	13.93	5.69	2.00	800B	13.93	5.69	2.25

TOLERANCES UNLESS SPECIFIED		LEESON ELECTRIC MOTORS GEARMOTORS AND DRIVES		DRAWN PG 02/10/11		
DEC	INCHES			CHK		
X	±.1			APPR		
XX	±.03	TITLE	OUTLINE - 140T FRAME	SCALE	3:8	
XXX	±.005		TEFC - RIGID	REF	028894	
XXXX	±.0005	MATL	WASHGUARD	FMF	120589.00	
NO	REVISION	BY & DATE	CHK ANG ±1/2"	FINISH	PAGE OF	
	THIRD ANGLE PROJECTION	RFP	PREV	SIZE	DRAWING NO	REV
		NETWORK FILE NAME	607-0012	B	607-0012	

005278-07



VIEW FROM OUTSIDE OF MOTOR AT SWITCH END.



	ROTATION FACING LEAD END	L1	L2	JOIN & INSULATE
HIGH VOLT	C.C.W.	T1	T4 T5	T2, T3 T8
	C.W.	T1	T4 T8	T2, T3 T5
LOW VOLT	C.C.W.	T1, T3 T8	T2, T4 T5	
	C.W.	T1, T3 T5	T2, T4 T8	

				TOLERANCES UNLESS OTHERWISE SPECIFIED		LEESON ELECTRIC CORPORATION				
				DECIMALS						
				.00	± .01	DRAWN	TITLE			
				.000	± .005	RSK 07/21/98	EXTERNAL WIRING DIAGRAM			
01	ADDED DECAL FOR STOCK MOTORS ECR 0042509	GWS	9/10/13	.0000	± .0005	CH'K'D.	TYPE "C" W/O PROTECTOR			
NO.	REVISION	BY	DATE	FRACTIONS	± 1/64	APPR.	MAT'L. DECAL - 004012			
				ANGLES	± 1/2*	SCALE	STOCK MOTORS TO USE DECAL 214-0122-001			
THIS DRAWING IN DESIGN AND DETAIL IS OUR PROPERTY AND MUST NOT BE USED EXCEPT IN CONNECTION WITH OUR WORK ALL RIGHTS OF DESIGN AND INVENTION ARE RESERVED				INCH/MM		REF.	005278-01	FINISH	SIZE	DRAWING NO.
								FMF	131571	STANDARD



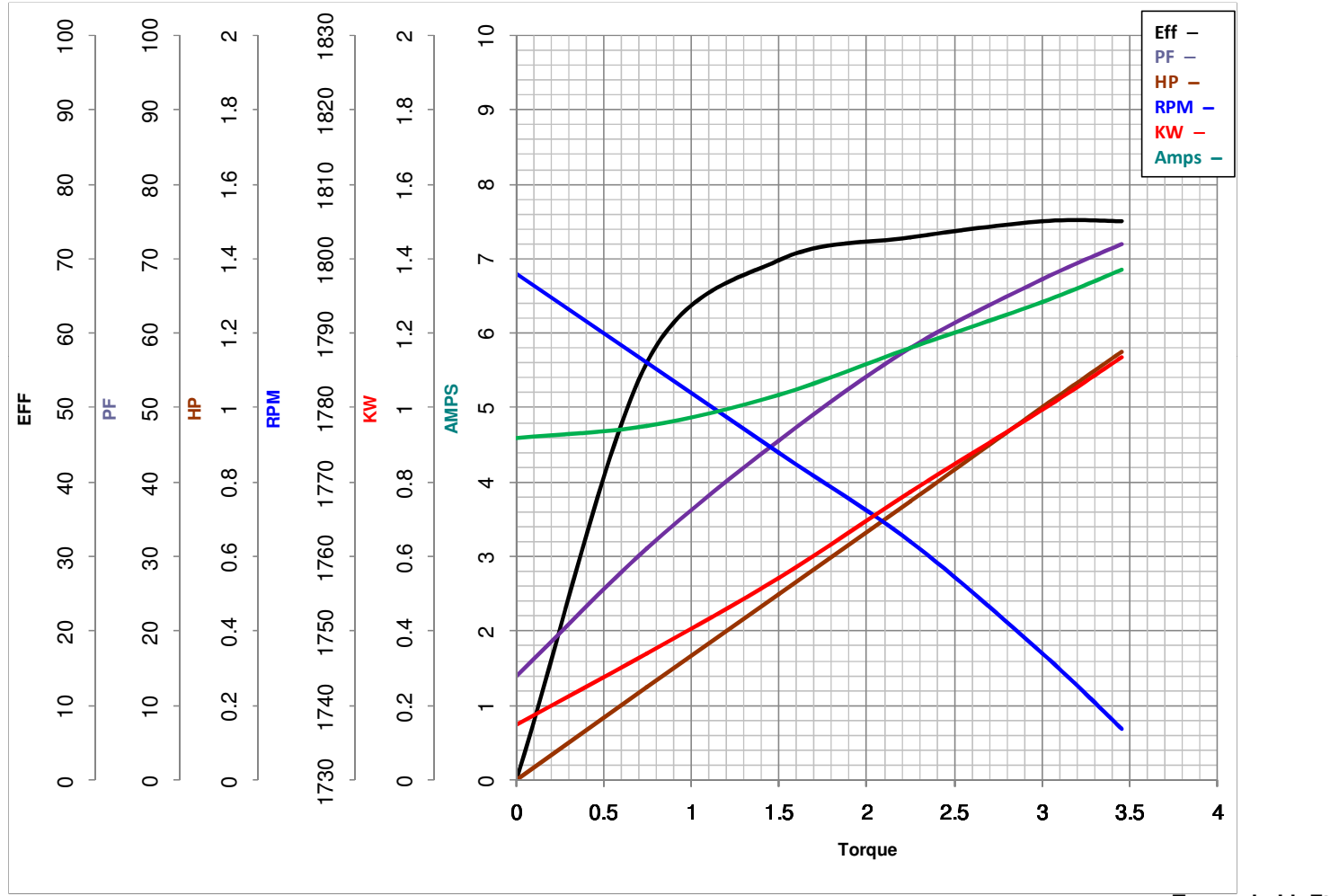
LEESON ELECTRIC CORPORATION
 TYPICAL PERFORMANCE CURVE for AC MOTOR

Model No 120589.00

Catalog No 120589.00

Curve at 230 Volts HP 1.00 PHASE 1
60 HZ
1 HP VOLTS 115/208-230

HZ 60 RPM 1740



FL TORQUE	<u>3</u>	Lb.Ft	FL AMPS	<u>12.8/6.4</u>	
BD TORQUE	<u>7.0</u>	Lb.Ft	PU TORQUE	<u>6.7</u>	Lb.Ft
LR TORQUE	<u>9</u>	Lb.Ft	LR AMPS	<u>33</u>	
WINDING	C634256-3		Date	<u>3/16/2018</u>	