

PRODUCT INFORMATION PACKET



Model No: P145K34DB1D

Catalog No: 120554.00

..5HP..3450RPM.145T.DP.230V.1PH.60HZ.CONT.40C.1.0SF.RIGID.P145K34DB1D.....COMPRESSOR
DUTY.MANUAL.....

Air Compressor



Regal and Leeson are trademarks of Regal Beloit Corporation or one of its affiliated companies.

©2018 Regal Beloit Corporation, All Rights Reserved. MC017097E





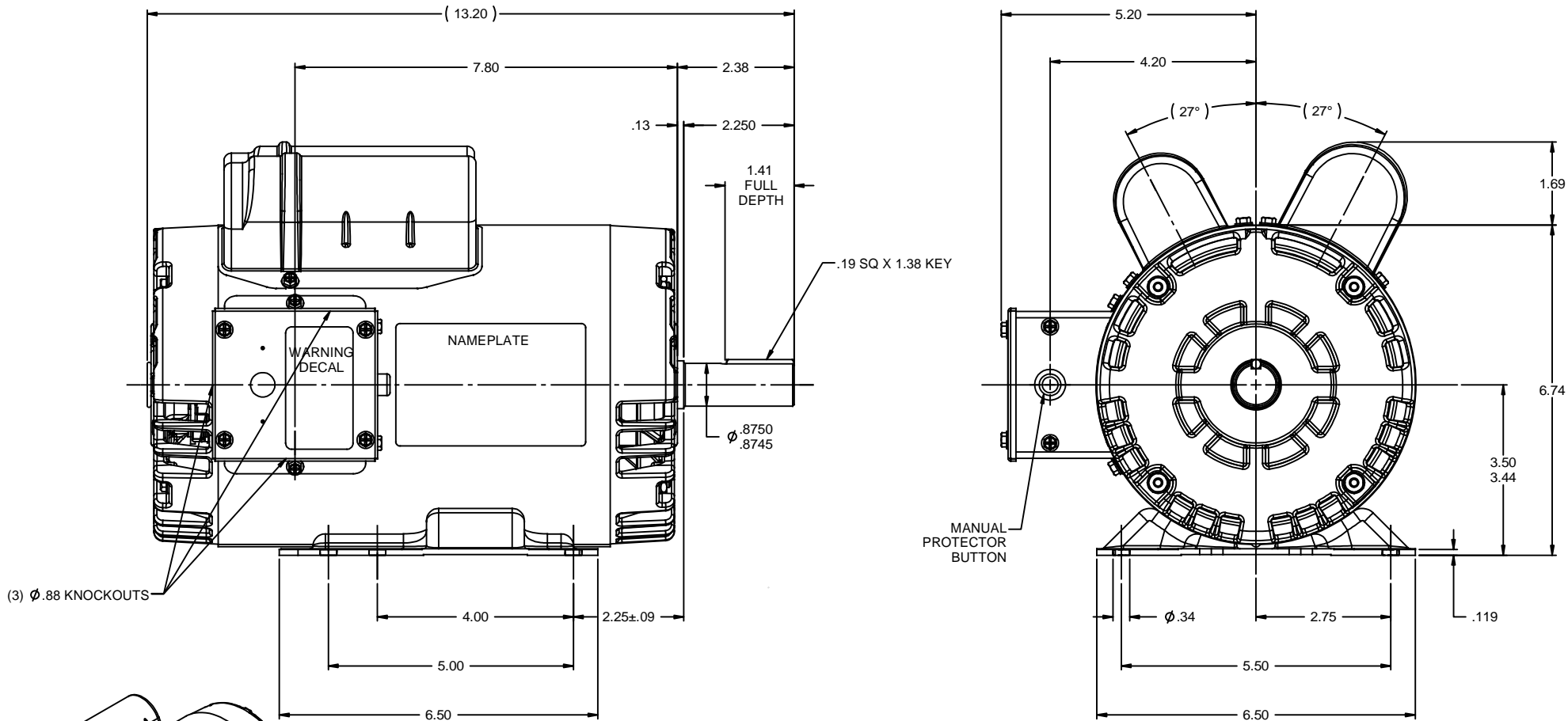
Nameplate Specifications

Output HP	5 Hp	Output KW	3.7 kW
Frequency	60 Hz	Voltage	230 V
Current	20.8 A	Speed	3450 rpm
Service Factor	1	Phase	1
Efficiency	82.5 %	Duty	Continuous
Insulation Class	F	Design Code	L
KVA Code	E	Frame	145T
Enclosure	Drip Proof	Overload Protector	Manual
Ambient Temperature	40 °C	Drive End Bearing Size	6205
Opp Drive End Bearing Size	6203	UL	Recognized
CSA	Y	CE	N
IP Code	22		

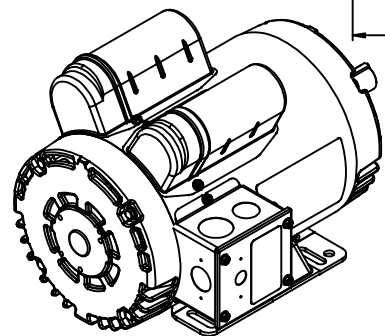
Technical Specifications


Electrical Type	Capacitor Start Capacitor Run	Starting Method	Across The Line
Poles	2	Rotation	Selective Clockwise
Mounting	Rigid base	Motor Orientation	HORIZONTAL
Drive End Bearing	BALL	Opp Drive End Bearing	BALL
Frame Material	Rolled Steel	Shaft Type	T
Overall Length	13.20 in	Frame Length	8.00 in
Shaft Diameter	0.875 in	Shaft Extension	2.25 in
Assembly/Box Mounting	F1 ONLY		
Outline Drawing	028588	Connection Diagram	005056.03

This is an uncontrolled document once printed or downloaded and is subject to change without notice. Date Created: 10/15/2018

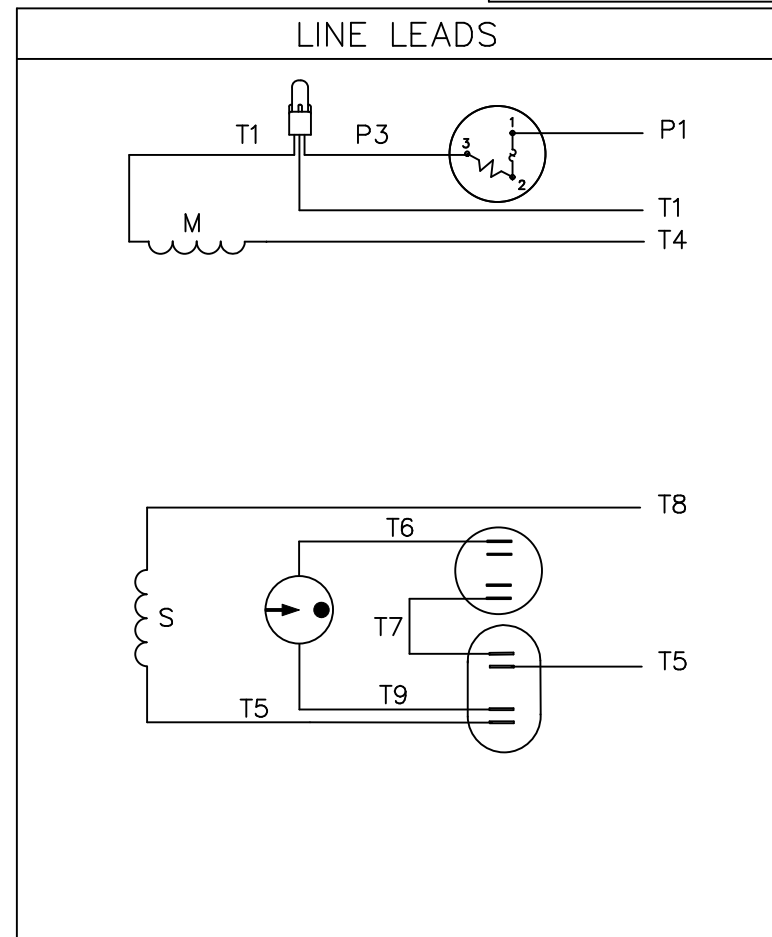
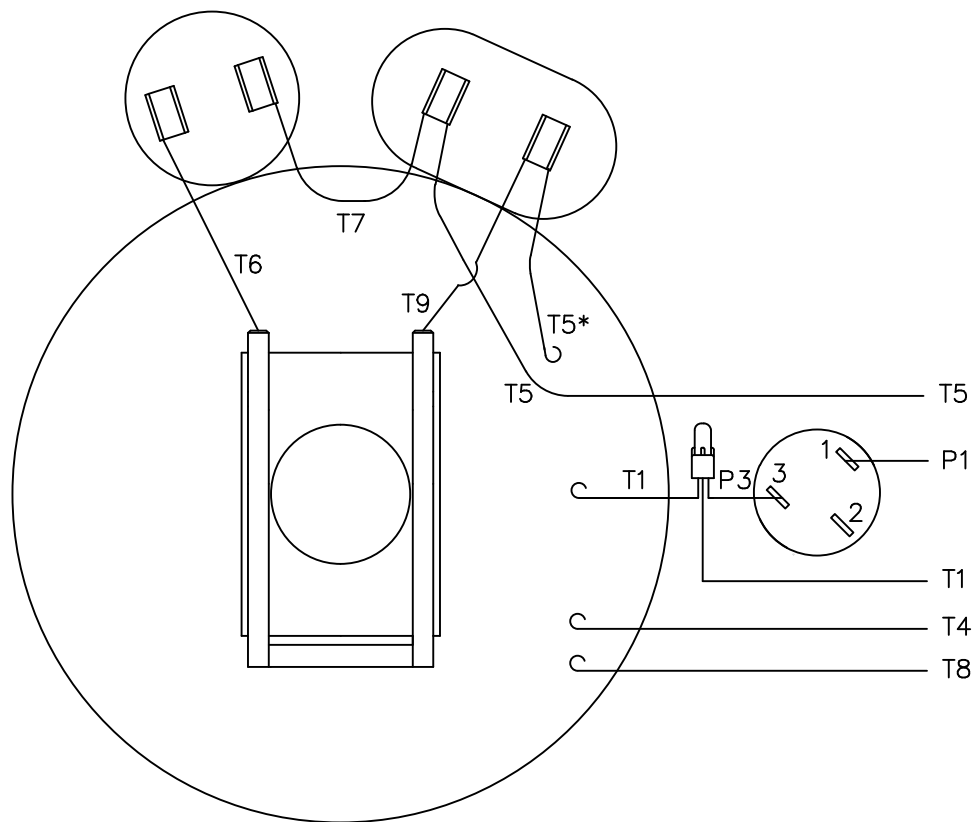


(3) ϕ .88 KNOCKOUTS



			TOLERANCES UNLESS SPECIFIED		 ELECTRIC MOTORS GEARMOTORS AND DRIVES		DRAWN RDW 06/15/04	
			DEC	INCHES			CHK	
			x	± 1			APPR	SW 6/15/04
02	CHANGED TO MYLAR NAMEPLATE, UPDATED TO CURRENT DESIGN & REDRAWN IN SOLIDWORKS PER ISAAC 11-0954	SAD 3/2/2011	GWS	xx	$\pm .03$	TITLE	OUTLINE - 140T FRAME	SCALE 1:2
				xxx	$\pm .005$		DRIP PROOF - RIGID	REF 033389
01	ADDED CONNECTION DECAL NOTE TO MATCH BOM	BJB 9/13/04		xxx	$\pm .0005$	MATL		FMF
NO	REVISION	BY & DATE	CHK	ANG	$\pm 1/2^\circ$	FINISH		PAGE OF
	THIRD ANGLE PROJECTION		RFP			PREV	SIZE	DRAWING NO
							B	028588
					NETWORK FILE NAME	028588		REV
								02

VIEW FROM OUTSIDE OF MOTOR AT SWITCH END.



ROTATION	L1	L2	JOIN
FACING			
LEAD END			
C.C.W.	P1	T4, T5	T1, T8
C.W.	P1	T4, T8	T1, T5

* THIS LEAD MAY BE WHITE

			TOLERANCES UNLESS SPECIFIED		LEESON ELECTRIC MOTORS GEARMOTORS AND DRIVES	DRAWN WLW 08/30/76		
			DEC.	INCHES		CHK WRK 09/24/76		
			.X	±.1		APPD		
08	ALTERNATE T5 LEAD MARKING WAS RED	RLW 8/6/02	.XX	±.01	TITLE	SCALE 1=1		
07	ADDED ALTERNATE T5 LEAD MARKING	RLW 5/31/02	KH	.XXX ±.005	EXTERNAL WIRING DIAGRAM TYPE "K" W/ PROTECTOR	REF		
06	REDRAWN TO CAD	DBT 5/31/02		.XXXX ±.0005	MAT'L. DECAL - 004015	FMF 6K17FB4		
NO.	REVISION	BY & DATE	CHK	ANG ±1/2°	FINISH	PREV		
THIS DRAWING IN DESIGN AND DETAIL IS OUR PROPERTY AND MUST NOT BE USED EXCEPT IN CONNECTION WITH OUR WORK ALL RIGHTS OF DESIGN AND INVENTION ARE RESERVED THIS IS AN ELECTRONICALLY GENERATED DOCUMENT - DO NOT SCALE THIS PRINT			RFP		CAD FILE 00505603	SIZE A	DRAWING NO. 005056-03	REV. 08
			DIST	BRF-NLV				

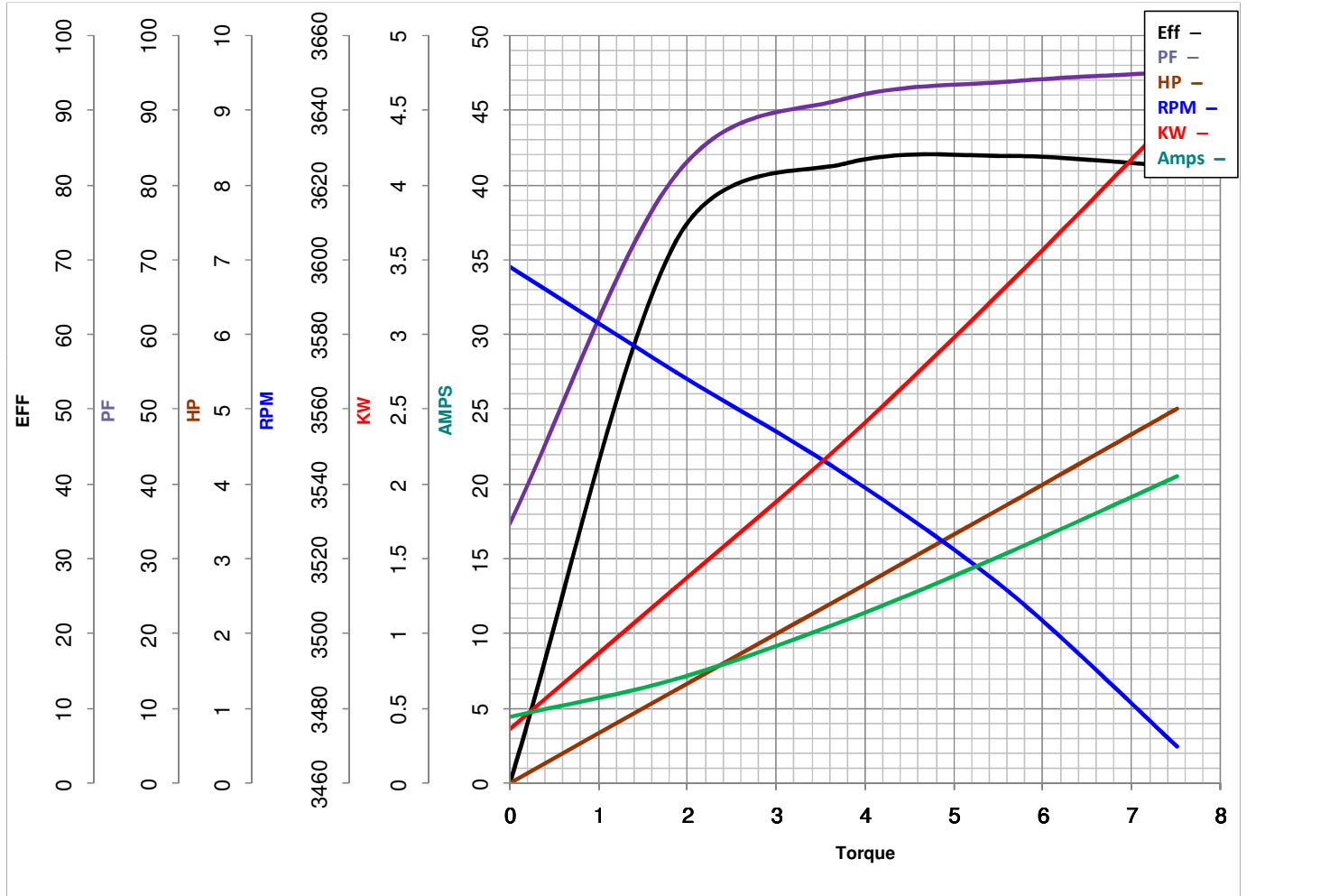


LEESON ELECTRIC CORPORATION
TYPICAL PERFORMANCE CURVE for AC MOTOR

Model No 120554.00

Catalog No 120554.00

Curve at 230 Volts HP 5.00 PHASE 1
60 HZ
5 HP VOLTS 230
HZ 60 RPM 3450



Torque in Lb.Ft

FL TORQUE 7.5 Lb.Ft
 BD TORQUE 14.3 Lb.Ft
 LR TORQUE 12.3 Lb.Ft

FL AMPS 20.8
 PU TORQUE 13.3 Lb.Ft
 LR AMPS 107

WINDING K632130-2

Date 3/16/2018