

PRODUCT INFORMATION PACKET



Model No: C143C34NB1J

Catalog No: 120374.00

..1 1/2HP..3450RPM.143.TENV.115/208-230V.1PH.60HZ.AIROVER.40C.1.0SF.RIGID.C143C34NB1J.....AG
- FAN & BLOWER.NOT.....

Agricultural



Regal and Leeson are trademarks of Regal Beloit Corporation or one of its affiliated companies.

©2018 Regal Beloit Corporation, All Rights Reserved. MC017097E





Nameplate Specifications

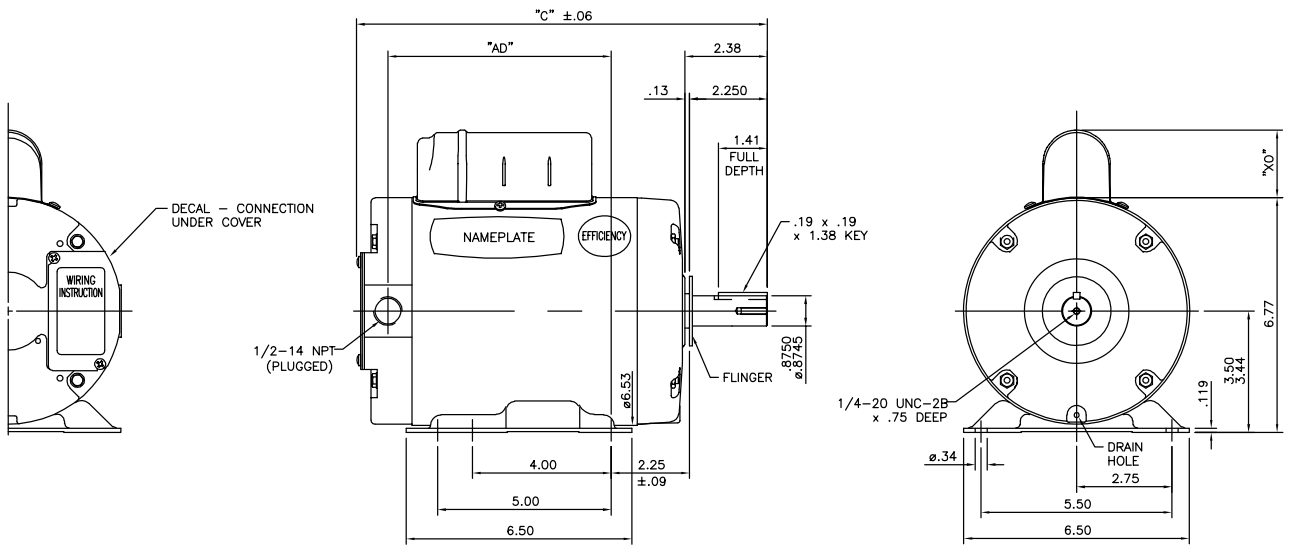
Output HP	1.50 Hp	Output KW	1.1 kW
Frequency	60 Hz	Voltage	115/230 V
Current	17.0/8.5 A	Speed	3450 rpm
Service Factor	1	Phase	1
Efficiency	72 %	Duty	Continuous
Insulation Class	B	Design Code	L
KVA Code	H	Frame	143TZ
Enclosure	Totally Enclosed Air Over	Overload Protector	No
Ambient Temperature	40 °C	Drive End Bearing Size	6205
Opp Drive End Bearing Size	6203	UL	Recognized
CSA	Y	CE	N
IP Code	43		

Technical Specifications

Electrical Type	Capacitor Start Induction Run	Starting Method	Across The Line
Poles	2	Rotation	Selective Counterclockwise
Mounting	Rigid base	Motor Orientation	HORIZONTAL
Drive End Bearing	BALL	Opp Drive End Bearing	BALL
Frame Material	Rolled Steel	Shaft Type	Single Special Extension
Overall Length	11.84 in	Frame Length	6.50 in
Shaft Diameter	0.875 in	Shaft Extension	2.25 in
Assembly/Box Mounting	F1 ONLY		
Outline Drawing	034948-650B	Connection Diagram	005005.52

This is an uncontrolled document once printed or downloaded and is subject to change without notice. Date Created: 10/15/2018

034948



DECAL - CONNECTION UNDER COVER

1/2-14 NPT (PLUGGED)

1/4-20 UNC-2B x .75 DEEP

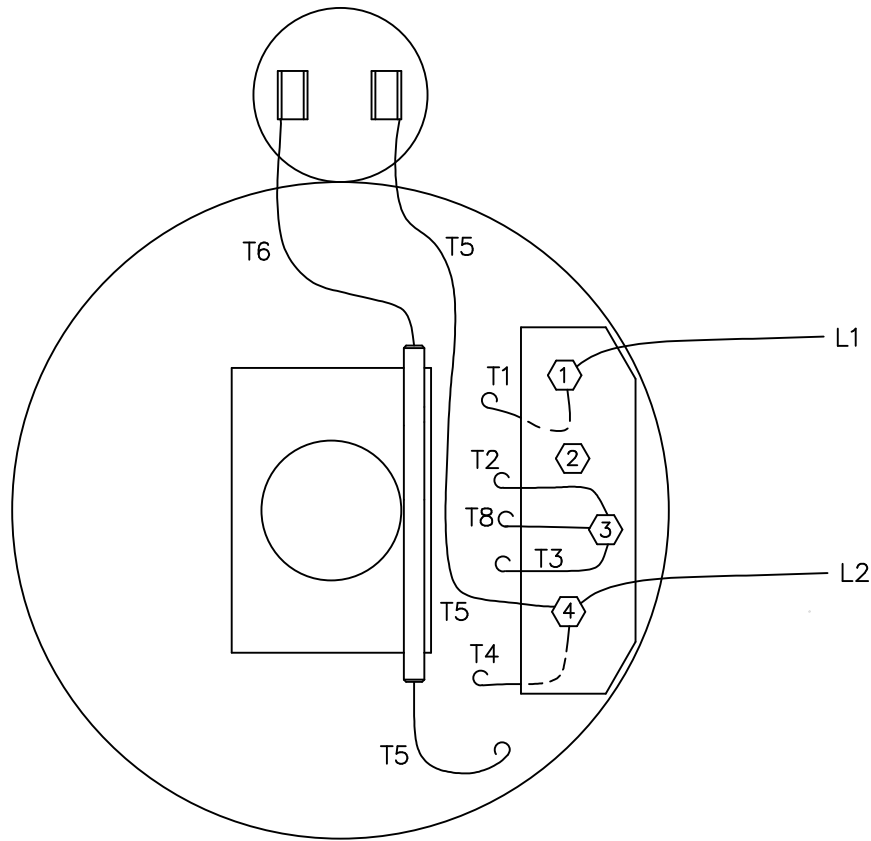
GASKETS THROUGHOUT

DASH NO.	"C"	"AD"	CAP. DASH	"XO"
600	11.34	5.94	A	1.54
650	11.84	6.44	B	2.01
700	12.34	6.94	C	2.25
750	12.84	7.44		
800	13.34	7.94		

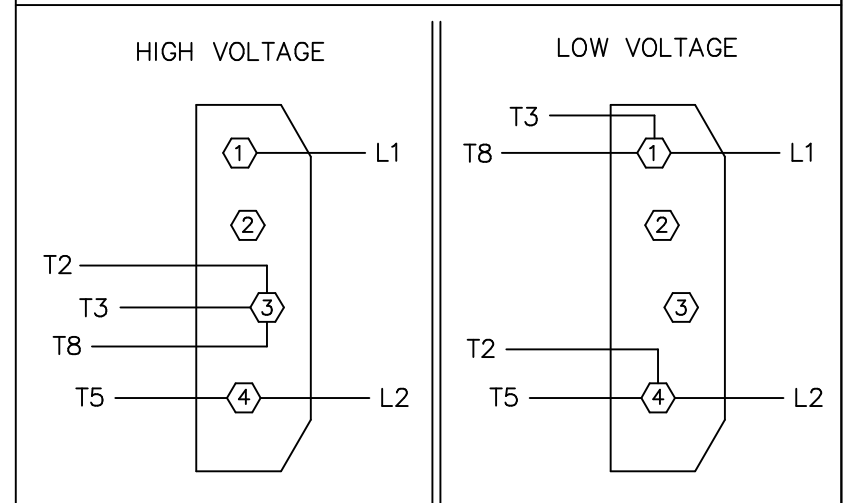
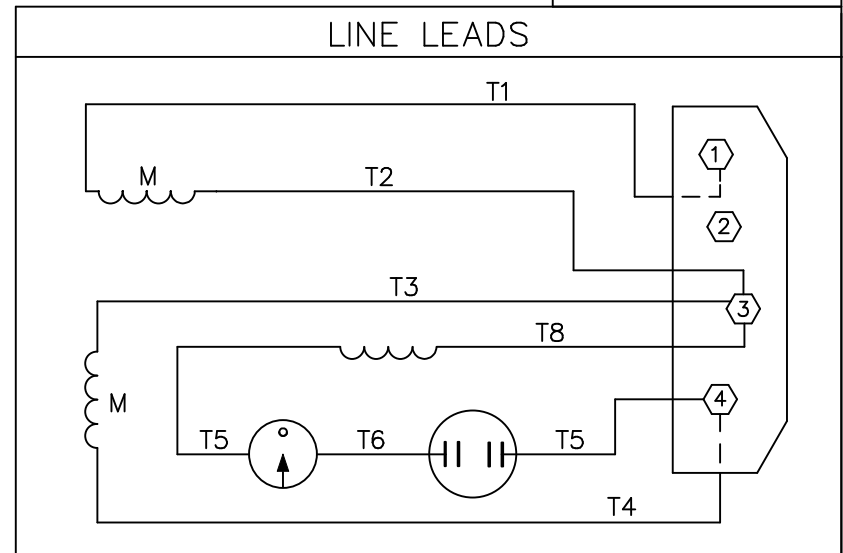
ORACLE REV	NO.	REVISION	BY & DATE	CHK	ANG	RFP	FINISH	CAD FILE	SIZE	DRAWING NO.	REV.
	02							034948	B	034948	B

TOLERANCES UNLESS SPECIFIED DEC. INCHES				ELECTRIC MOTORS GEARMOTORS AND DRIVES		DRAWN GWS 7/30/02	
X	±.1	XX	±.03	TITLE		SCALE 3=8	
XXX	±.005	XXXX	±.0005	OUTLINE - 140T FRAME		CHK	
XXXXX	±.00005			TENV - RIGID		APPD	
				FAN DUTY		REF 033388	
				STOCK		FMF 120374	
				CAD FILE		PREV	

THIS DRAWING IN DESIGN AND DETAIL IS OUR PROPERTY AND MUST NOT BE USED EXCEPT IN CONNECTION WITH OUR WORK. ALL RIGHTS OF DESIGN AND INVENTION ARE RESERVED. THIS IS AN ELECTRONICALLY GENERATED DOCUMENT - DO NOT SCALE THIS PRINT




VIEW FROM OUTSIDE OF MOTOR AT SWITCH END.



C.C.W. ROTATION FACING LEAD END
INTERCHANGE LEADS T5 & T8 FOR C.W.

		TOLERANCES UNLESS SPECIFIED	
		DEC.	INCHES
		.X	±.1
		.XX	±.01
		.XXX	±.005
		.XXXX	±.0005
NO.	REVISION	BY & DATE	CHK

	ELECTRIC MOTORS GEARMOTORS AND DRIVES	DRAWN PG 9/14/05
		CHK
		APPD
	TITLE EXTERNAL WIRING DIAGRAM TYPE "C" W/O PROTECTOR	SCALE 1=1
	MAT'L. DECAL 081209-01	REF 005005-24
FINISH STANDARD	FMF 115950.00	PREV

THIS DRAWING IN DESIGN AND DETAIL IS OUR PROPERTY AND MUST NOT BE USED EXCEPT IN CONNECTION WITH OUR WORK ALL RIGHTS OF DESIGN AND INVENTION ARE RESERVED THIS IS AN ELECTRONICALLY GENERATED DOCUMENT - DO NOT SCALE THIS PRINT		RFP	CAD FILE 00500552	SIZE A	DRAWING NO. 005005-52	REV.
		DIST				

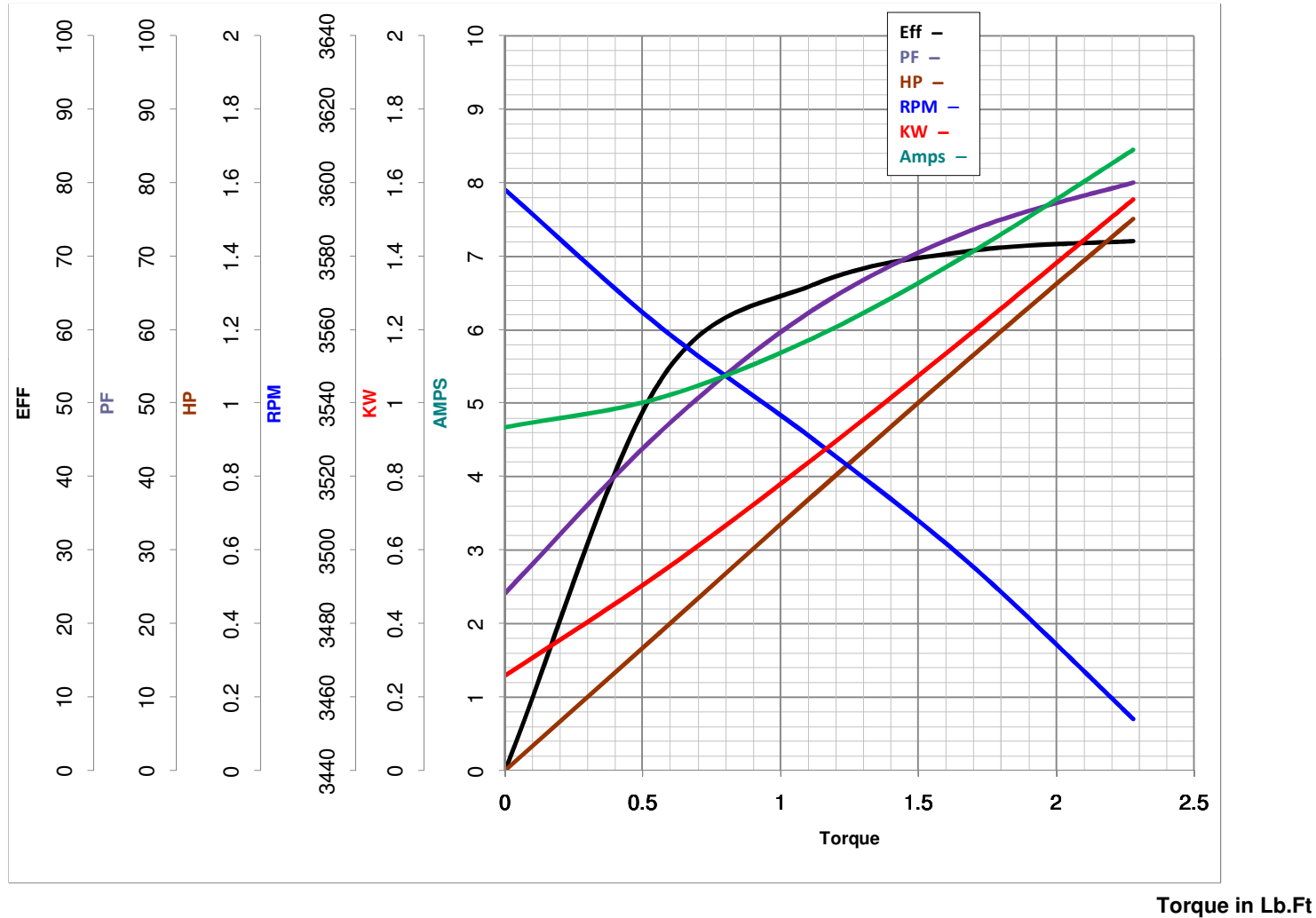


Model No 120374.00

Catalog No 120374.00

LEESON ELECTRIC CORPORATION
TYPICAL PERFORMANCE CURVE for AC MOTOR

Curve at 230 Volts HP 1.50 PHASE 1
60 HZ
1.5 HP VOLTS 115/230
60 HZ RPM 3450



FL TORQUE 2.28 Lb.Ft
BD TORQUE 5.6 Lb.Ft
LR TORQUE 5.5 Lb.Ft

FL AMPS 17/8.5
PU TORQUE 5.3 Lb.Ft
LR AMPS 46

WINDING C632212-3

Date 3/29/2018