

PRODUCT INFORMATION PACKET



Model No: C143T11FC1H

Catalog No: 120097.00

3/4HP..1140RPM.143.TEFC.208-230/460V.3PH.60HZ.CONT.NOT.40C.1.15SF.ROUND.GENERAL
PURPOSE.C143T11FC1H

Totally Enclosed Fan Cooled (TEFC)



Regal and Leeson are trademarks of Regal Beloit Corporation or one of its affiliated companies.

©2018 Regal Beloit Corporation, All Rights Reserved. MC017097E





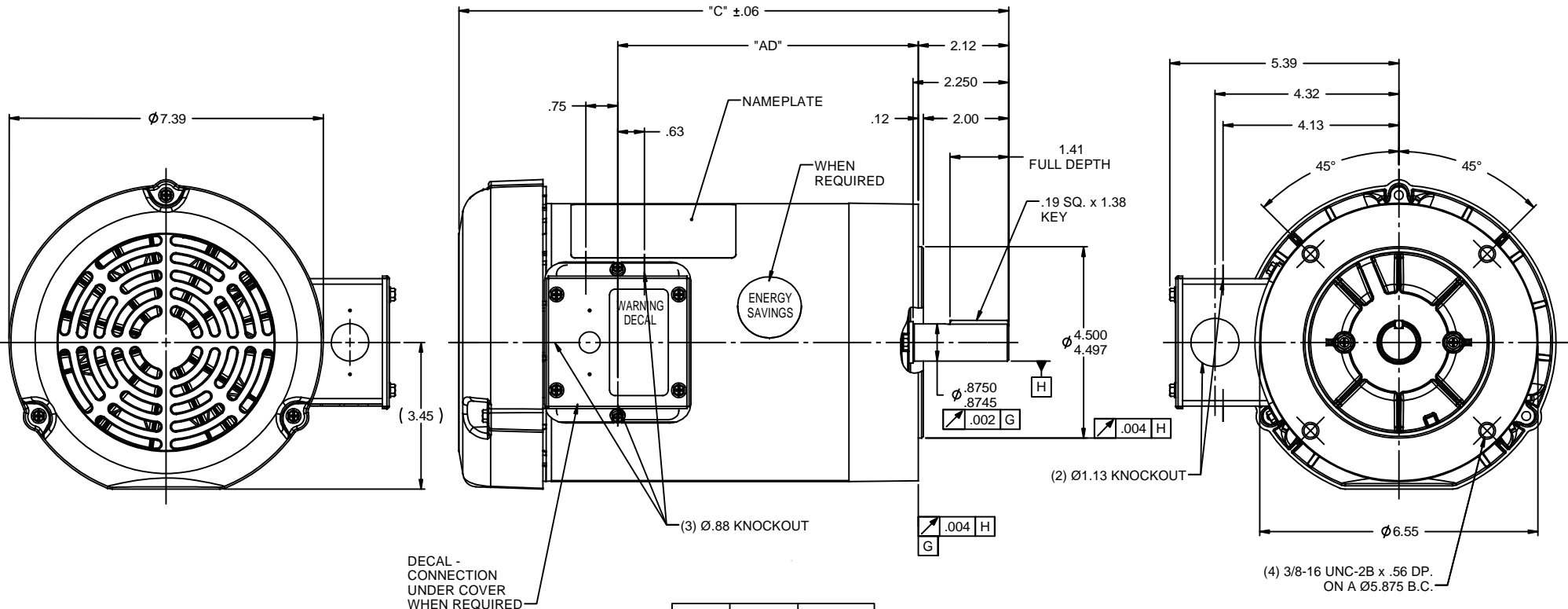
Nameplate Specifications

Output HP	0.75 Hp	Output KW	0.56 kW
Frequency	60 Hz	Voltage	208-230/460 V
Current	3.0-3.0/1.5 A	Speed	1140 rpm
Service Factor	1.15	Phase	3
Efficiency	75.5 %	Duty	Continuous
Insulation Class	B	Design Code	B
KVA Code	J	Frame	143TC
Enclosure	Totally Enclosed Fan Cooled	Overload Protector	No
Ambient Temperature	40 °C	Drive End Bearing Size	6205
Opp Drive End Bearing Size	6203	UL	Recognized
CSA	Y	CE	N
IP Code	43		

Technical Specifications

Electrical Type	Squirrel Cage Induction Run	Starting Method	Across The Line
Poles	6	Rotation	Reversible
Mounting	Round	Motor Orientation	HORIZONTAL
Drive End Bearing	BALL	Opp Drive End Bearing	BALL
Frame Material	Rolled Steel	Shaft Type	T
Overall Length	11.92 in	Frame Length	6.00 in
Shaft Diameter	0.875 in	Shaft Extension	2.25 in
Assembly/Box Mounting	F1 ONLY		
Outline Drawing	028777-600	Connection Diagram	005010.01

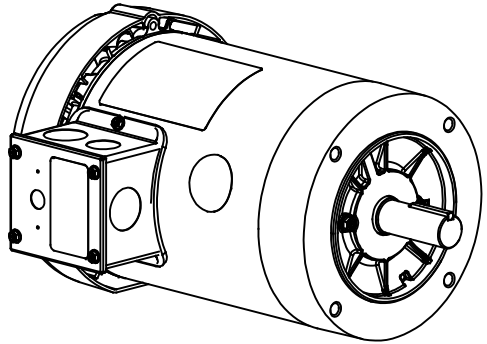
This is an uncontrolled document once printed or downloaded and is subject to change without notice. Date Created: 10/15/2018



DECAL - CONNECTION UNDER COVER WHEN REQUIRED

DASH NO.	"C"	"AD"
550	11.42	5.56
600	11.92	6.06
650	12.42	6.56
675	12.67	6.81
700	12.92	7.06
750	13.42	7.56
800	13.92	8.06

NOTE:
1) GASKETS THROUGHOUT



REVISION			BY & DATE	CHK	ANG	±1/2°	FINISH	GENERAL PURPOSE	PAGE	OF
05	ADDED FAN GUARD DIMENSIONS PER SALES	PG	1/5/2011	DEC						
04	ADDED DASH NO. 675	PG	5/21/2010	X						
03	ADDED ENERGY SAVINGS DECAL	PG	5/19/2010	.XX						
02	ADD "C" DIM. PER ISAAC 09-4157	LST	10/1/2009	.XXX						
01	REVISED GD&T POSITIONING & CALLOUT	KMM	8/27/07	.XXX						

TOLERANCES UNLESS SPECIFIED			ELECTRIC MOTORS GEARMOTORS AND DRIVES	DRAWN	KMM 08/02/07
INCHES	DEC			CHK	
±.1	X	TITLE	OUTLINE - 140TC FRAME	SCALE	7:16
±.03	.XX	REF	TEFC - "C" FACE	REF	028504.00
±.005	.XXX	MATL		FMF	120038.00
±.0005	.XXX				
THIRD ANGLE PROJECTION		RFP	PREV	SIZE	DRAWING NO
		NETWORK FILE NAME	028777	B	028777
					REV
					05

005010-01

VIEW FROM OUTSIDE OF MOTOR AT SWITCH END.



VOLTAGE	L1	L2	L3	JOIN & INSULATE
HIGH	T1	T2	T3	(T4,T7) (T5,T8) (T6,T9)
LOW	T1,T7	T2,T8	T3,T9	T4,T5,T6

				TOLERANCES UNLESS SPECIFIED		REGAL ™ Regal Beloit America, Inc.		DRAWN RDW 04/12/02			
				DEC.	INCHES			CHK			
				.X	±.1			APPD			
				.XX	±.01			SCALE 1=1			
				.XXX	±.005	TITLE		EXTERNAL WIRING DIAGRAM 3 PHASE W/O PROTECTOR			
A	UPDATED TO REGAL LOGO	SAJ 06/26/15	AJY	.XXXX	±.0005	MAT'L.		DECAL - 004014			
NO.	REVISION	BY & DATE	CHK	ANG	±1/2"	FINISH		PREV			
THIS DRAWING IN DESIGN AND DETAIL IS OUR PROPERTY AND MUST NOT BE USED EXCEPT IN CONNECTION WITH OUR WORK ALL RIGHTS OF DESIGN AND INVENTION ARE RESERVED THIS IS AN ELECTRONICALLY GENERATED DOCUMENT - DO NOT SCALE THIS PRINT				RFP	04/12/02	CAD FILE		00501001	SIZE	DRAWING NO.	REV.
				DIST	BRF-NLV			A	005010-01	A	

