

PRODUCT INFORMATION PACKET



Model No: C145K17FB3J

Catalog No: 120026.00

..1 1/2HP..1740RPM.145.TEFC.115/208-
230V.1PH.60HZ.CONT.40C.1.0SF.RIGID.C145K17FB3J.....GENERAL PURPOSE.NOT.....
Totally Enclosed Fan Cooled (TEFC)



Regal and Leeson are trademarks of Regal Beloit Corporation or one of its affiliated companies.

©2018 Regal Beloit Corporation, All Rights Reserved. MC017097E



Product Information Packet: Model No: C145K17FB3J, Catalog No:120026.00 ..1
 1/2HP..1740RPM.145.TEFC.115/208-230V.1PH.60HZ.CONT.40C.1.0SF.RIGID.C145K17FB3J.....GENERAL
 PURPOSE.NOT.....



Nameplate Specifications

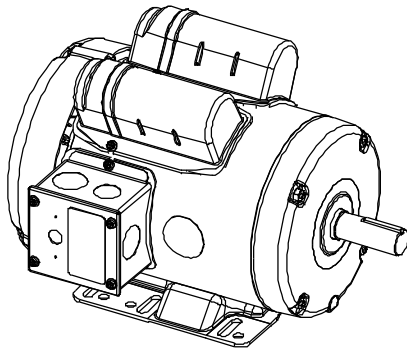
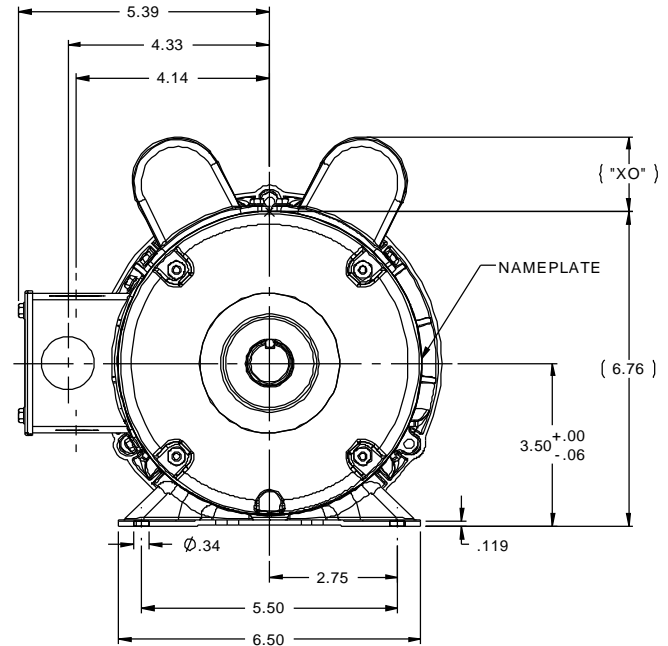
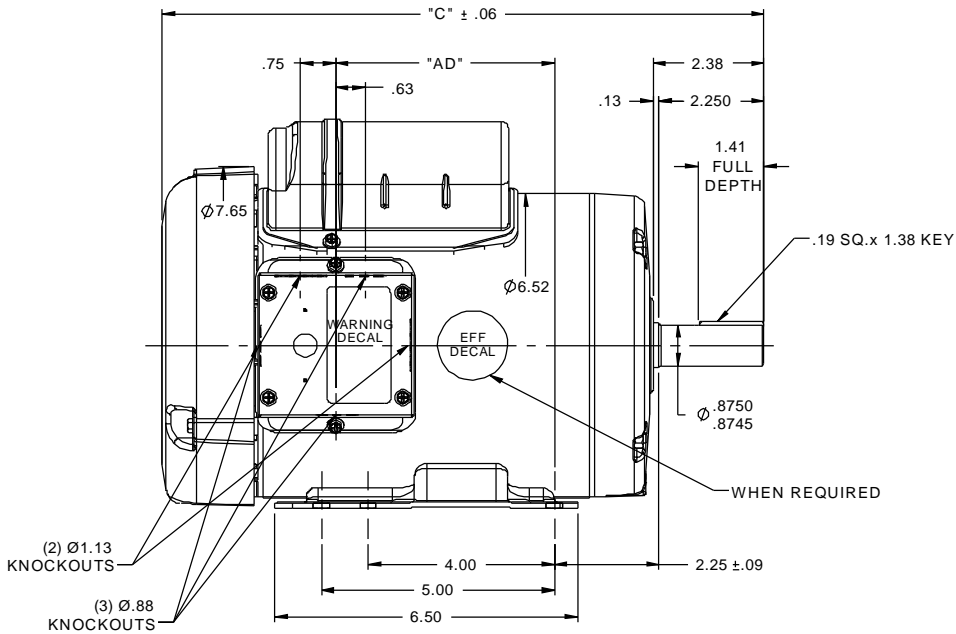
Output HP	1.50 Hp	Output KW	1.1 kW
Frequency	60 Hz	Voltage	115/208-230 V
Current	17.2/8.8-8.6 A	Speed	1740 rpm
Service Factor	1	Phase	1
Efficiency	79 %	Duty	Continuous
Insulation Class	B	Design Code	L
KVA Code	J	Frame	145
Enclosure	Totally Enclosed Fan Cooled	Overload Protector	No
Ambient Temperature	40 °C	Drive End Bearing Size	6205
Opp Drive End Bearing Size	6203	UL	Recognized
CSA	Y	CE	N
IP Code	43		

Technical Specifications

Electrical Type	Capacitor Start Capacitor Run	Starting Method	Across The Line
Poles	4	Rotation	Selective Counterclockwise
Mounting	Rigid base	Motor Orientation	HORIZONTAL
Drive End Bearing	BALL	Opp Drive End Bearing	BALL
Frame Material	Rolled Steel	Shaft Type	NEMA 56
Overall Length	13.43 in	Frame Length	7.50 in
Shaft Diameter	0.875 in	Shaft Extension	2.25 in
Assembly/Box Mounting	F1 ONLY		
Outline Drawing	028803-750B	Connection Diagram	005054.01

This is an uncontrolled document once printed or downloaded and is subject to change without notice. Date Created: 10/15/2018

RBC PROPRIETARY AND CONFIDENTIAL INFORMATION
 This document is the property of REGAL BELOIT CORPORATION ("RBC") including its subsidiaries and divisions and contains proprietary information of RBC. This document is loaned on the express condition that neither the information contained therein shall be disclosed to others without the express written consent of RBC, and that the information shall be used by the recipient only as approved expressly by RBC. This document shall be returned to RBC upon its request. This document may be subject to certain restrictions under U.S. export control laws and regulations.



DASH NO.	"C"	"AD"	CAP DASH	"XO"
700	12.93	4.69	A	1.15
750	13.43	5.19	B	1.60
800	13.93	5.69	C	1.82
850	14.43	6.19		

NOTE:
 1) GASKETS THROUGHOUT

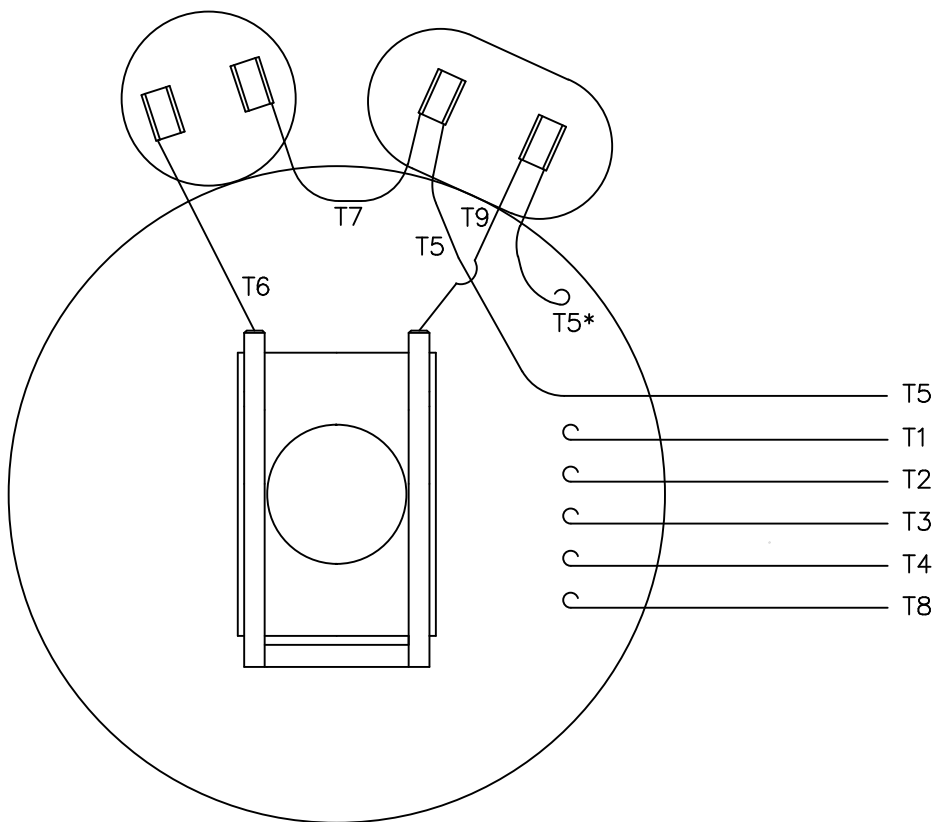
TOLERANCES UNLESS SPECIFIED		DEC INCHES		TITLE	FINISH	DRAWING NO	PAGE	OF	REV
XX	±.03	XXX	±.005						
01	CORRECTED BASE LOCATION ECR 0035519	GS	3/5/13	OUTLINE - 140T FRAME	TEFC - RIGID	028589			01
REVISION				BY & DATE	CHK LANG ±1/2°	FINISH GENERAL PURPOSE	PAGE		OF
THIRD ANGLE PROJECTION				BY & DATE	CHK LANG ±1/2°	FINISH GENERAL PURPOSE	PAGE		OF
NETWORK FILE NAME 028803						SIZE	DRAWING NO		REV
						B	028803		01



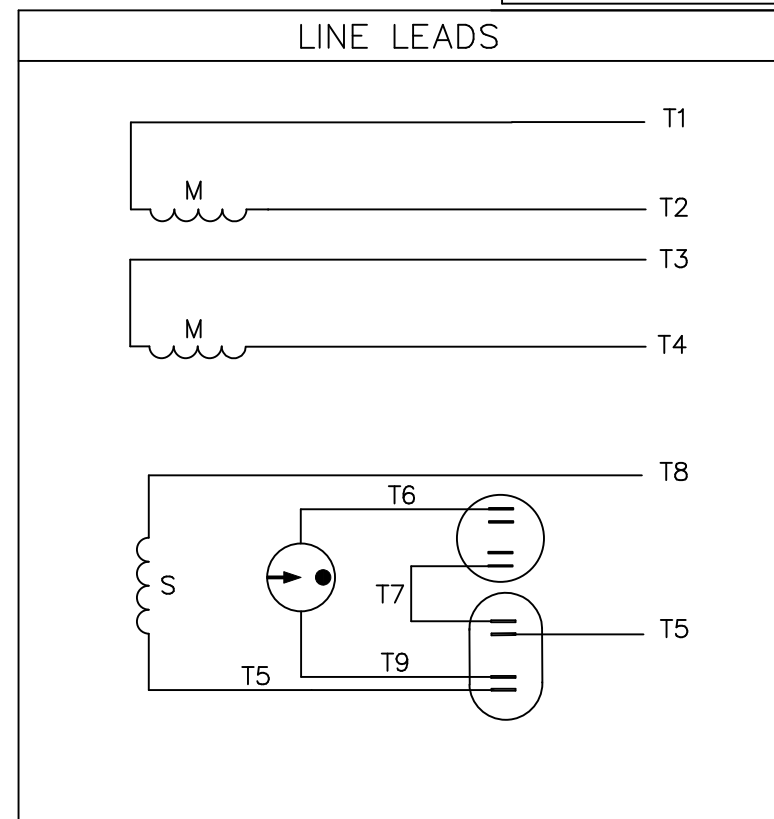
ELECTRIC MOTORS
 GEARMOTORS
 AND DRIVES

DRAWN KMM 10/04/07
 CHK
 APPR

VIEW FROM OUTSIDE OF MOTOR AT SWITCH END.



* THIS LEAD MAY BE WHITE



	ROTATION FACING LEAD END	L1	L2	JOIN
HIGH VOLT	C.C.W.	T1	T4 T5	T2,T3 T8
	C.W.	T1	T4 T8	T2,T3 T5
LOW VOLT	C.C.W.	T1 T3,T8	T2,T4 T5	
	C.W.	T1,T3 T5	T2,T4 T8	

		TOLERANCES UNLESS SPECIFIED			
		DEC.	INCHES		
		.X	±.1		
11	ALTERNATE T5 LEAD MARKING WAS RED	RLW	8/6/02	.XX	±.01
10	ADDED ALTERNATE T5 LEAD MARKING	RLW	6/5/02	KH	.XXX ±.005
09	REDRAWN TO CAD	DBT	05/28/97		.XXXX ±.0005
NO.	REVISION	BY & DATE	CHK	ANG	±1/2'

LEESON	ELECTRIC MOTORS GEARMOTORS AND DRIVES	DRAWN JRW 09/27/74	
		CHK TEM	
		APPD 10/11/74	
		SCALE 1=1	
TITLE		EXT. WIRING DIAGRAM	
		TYPE "K" W/O PROTECTOR	
MAT'L.		DECAL-004012	
FINISH		PREV	

THIS DRAWING IN DESIGN AND DETAIL IS OUR PROPERTY AND MUST NOT BE USED EXCEPT IN CONNECTION WITH OUR WORK ALL RIGHTS OF DESIGN AND INVENTION ARE RESERVED THIS IS AN ELECTRONICALLY GENERATED DOCUMENT - DO NOT SCALE THIS PRINT		RFP	CAD FILE	00505401	SIZE	DRAWING NO.	REV.
		DIST	BRF-NLV		A	005054-01	11

