

PRODUCT INFORMATION PACKET



Model No: C143C17FB3K

Catalog No: 120025.00

..1HP..1740RPM.143.TEFC.115/208-230V.1PH.60HZ.CONT.40C.1.15SF.RIGID.C143C17FB3K.....GENERAL PURPOSE.NOT.....

Totally Enclosed Fan Cooled (TEFC)



Regal and Leeson are trademarks of Regal Beloit Corporation or one of its affiliated companies.

©2018 Regal Beloit Corporation, All Rights Reserved. MC017097E





Nameplate Specifications

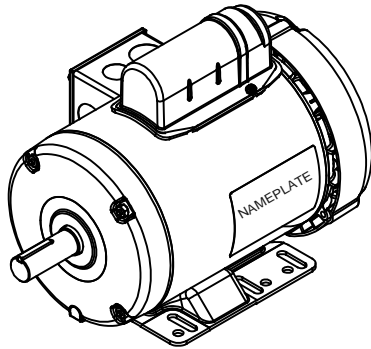
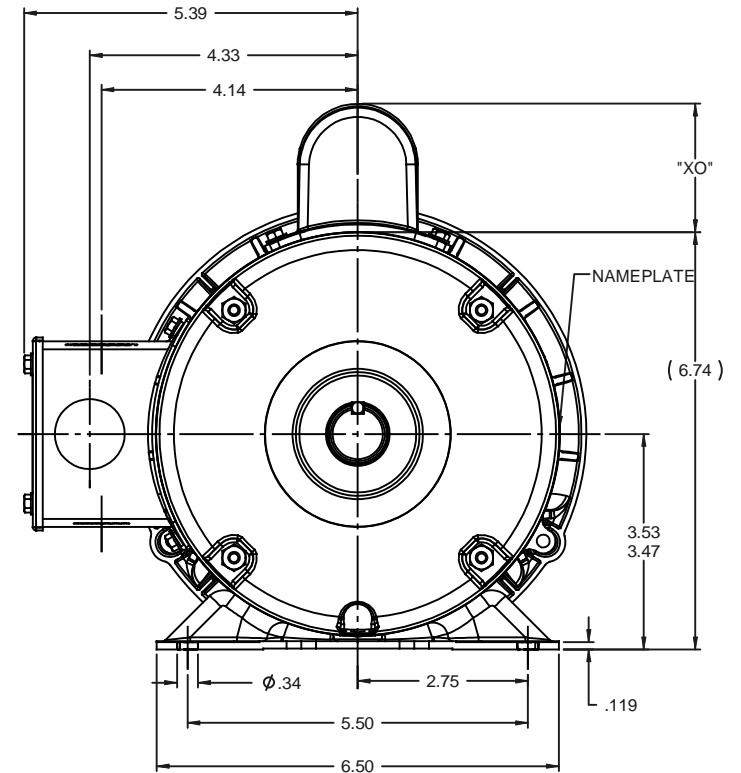
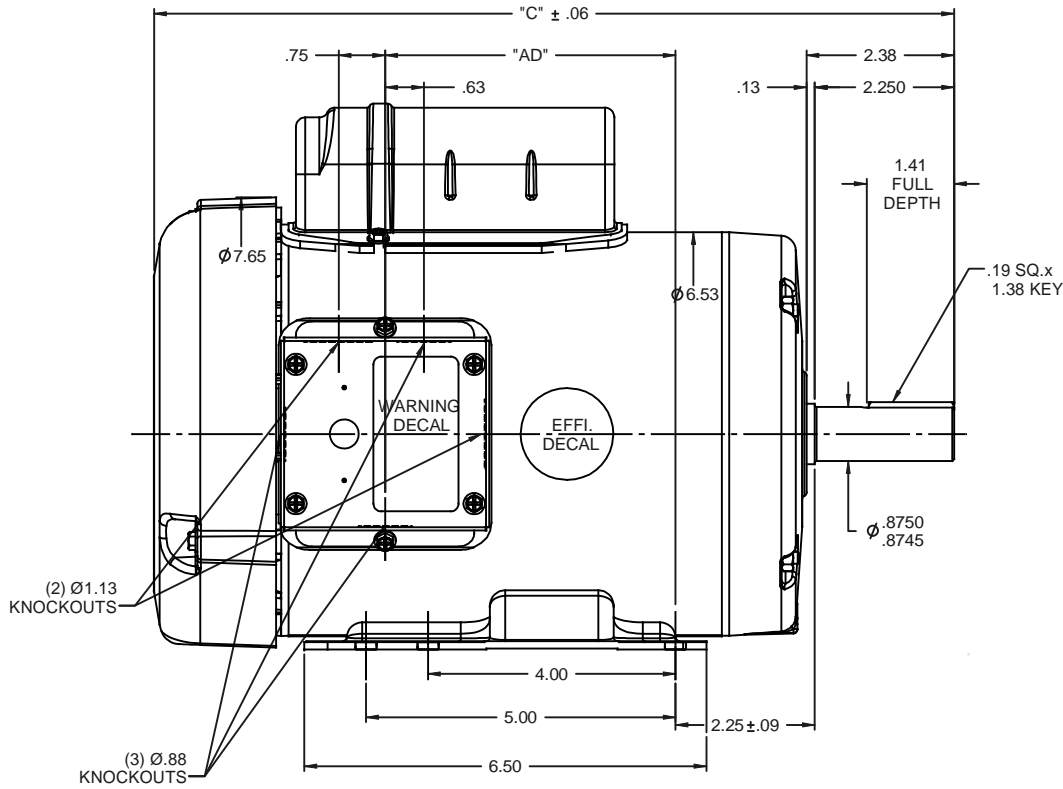
Output HP	1 Hp	Output KW	0.75 kW
Frequency	60 Hz	Voltage	115/208-230 V
Current	12.8/6.4 A	Speed	1740 rpm
Service Factor	1.15	Phase	1
Efficiency	75 %	Duty	Continuous
Insulation Class	B	Design Code	N
KVA Code	K	Frame	143
Enclosure	Totally Enclosed Fan Cooled	Overload Protector	No
Ambient Temperature	40 °C	Drive End Bearing Size	6205
Opp Drive End Bearing Size	6203	UL	Recognized
CSA	Y	CE	N
IP Code	43		

Technical Specifications

Electrical Type	Capacitor Start Induction Run	Starting Method	Across The Line
Poles	4	Rotation	Selective Counterclockwise
Mounting	Rigid base	Motor Orientation	HORIZONTAL
Drive End Bearing	BALL	Opp Drive End Bearing	BALL
Frame Material	Rolled Steel	Shaft Type	NEMA 56
Overall Length	12.93 in	Frame Length	7.00 in
Shaft Diameter	0.875 in	Shaft Extension	2.25 in
Assembly/Box Mounting	F1 ONLY		
Outline Drawing	028855-700B	Connection Diagram	005005.01

This is an uncontrolled document once printed or downloaded and is subject to change without notice. Date Created: 10/15/2018

RBC PROPRIETARY AND CONFIDENTIAL INFORMATION
 This document is the property of REGAL BELOIT CORPORATION ("RBC") including its subsidiaries and divisions and contains proprietary information of RBC. This document is loaned on the express condition that neither it nor the information contained therein shall be disclosed to others without the express written consent of RBC, and that the information shall be used by the recipient only as approved expressly by RBC. This document shall be returned to RBC upon its request. This document may be subject to certain restrictions under U.S. export control laws and regulations.



DASH NO.	"C"	"AD"	CAP. DASH	"XO"
700	12.93	4.69	A	1.54
750	13.43	5.19	B	2.01
800	13.93	5.69	C	2.25
850	14.43	6.19		

NOTE:
 1) GASKETS THROUGHOUT

		TOLERANCES UNLESS SPECIFIED		LEESON ELECTRIC MOTORS GEARMOTORS AND DRIVES	DRAWN GRB 07/21/08
		DEC INCHES			CHK DJ 07/21/08
		X ±.1		APPR	
		.XX ±.03		TITLE OUTLINE - 140T FRAME	SCALE 1:2
		.XXX ±.005		TEFC - RIGID	REF 028803
01 ADDED "XO" TABLE		DJ 9/4/2008	.XXX ±.0005	MATL	FMF 120025.00
NO		REVISION	BY & DATE	CHK ANG ±1/2°	FINISH GENERAL PURPOSE
		THIRD ANGLE PROJECTION		RFP 07/21/08	PREV
				NETWORK FILE NAME 028855	SIZE B DRAWING NO 028855
					PAGE 1 OF 1 REV 01

VIEW FROM OUTSIDE OF MOTOR AT SWITCH END.




LINE LEADS



	ROTATION FACING LEAD END	L1	L2	JOIN
HIGH VOLT	C.C.W.	T1	T4, T5	T2, T3, T8
	C.W.	T1	T4, T8	T2, T3, T5
LOW VOLT	C.C.W.	T1, T3, T8	T2, T4, T5	-----
	C.W.	T1, T3, T5	T2, T4, T8	-----

RBC PROPRIETARY AND CONFIDENTIAL INFORMATION
 This document is the property of REGAL BELOIT CORPORATION ("RBC") including its subsidiaries and divisions and contains proprietary information of RBC. This document is loaned on the express condition that neither it nor the information contained therein shall be disclosed to others without the express written consent of RBC, and that the information shall be used by the recipient only as approved expressly by RBC. This document shall be returned to RBC upon its request. This document may be subject to certain restrictions under U.S. export control laws and regulations.

--	REDRAWN IN SOLIDWORKS	VJB 02/16/11		TOLERANCES UNLESS SPECIFIED		 ELECTRIC MOTORS GEARMOTORS AND DRIVES	DRAWN ADH 08/06/73
27	UPDATED TO CURRENT STANDARDS	DBT 05/27/97		DEC	INCHES		CHK
26	ADDED PAGE 32 (114787) & PAGE 33 (114788)	KAZ 12/20/95	PG	.X	±.1		APPR JCW 03/09/79
25	ADDED PAGE 31	KAZ 04/19/95	DL	.XX	±.01	TITLE EXTERNAL WIRING DIAGRAM TYPE "C" W/O PROTECTOR	SCALE 1:1
24	ADDED PAGES 29 & 30	KMM 03/30/95	DL	.XXX	±.005		REF FIG 2-23 C4A
23	ADDED PAGE 28	KMM 01/27/95		.XXX	±.0005	MAT'L DECAL - 004012	FMF MGI-2.4B
NO	REVISION	BY & DATE	CHK	ANG	±1/2°	FINISH	PAGE OF
THIRD ANGLE PROJECTION			RFP		PREV	SIZE	DRAWING NO
			NETWORK FILE NAME		00500501	A	005005-01
							REV
							--



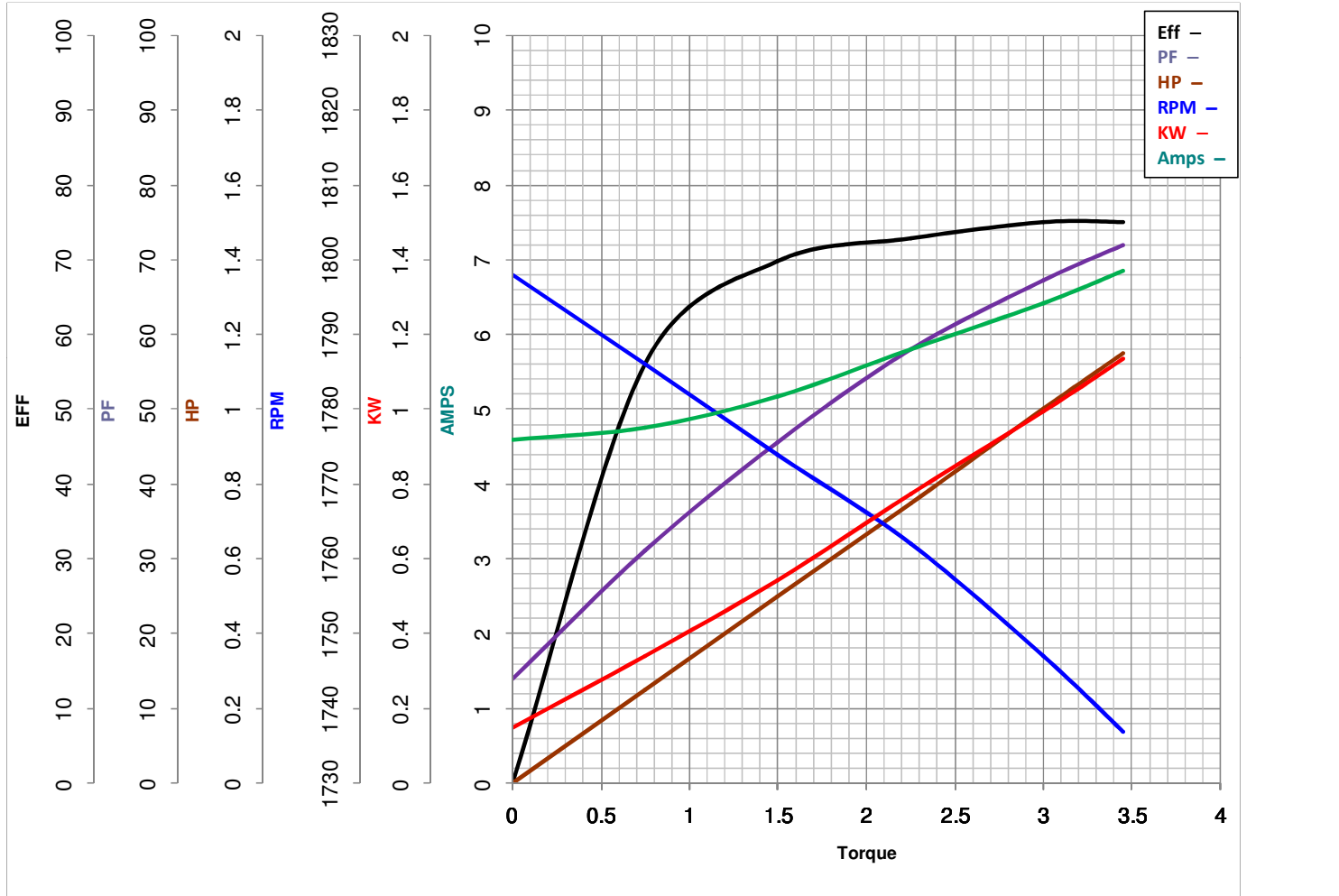
LEESON ELECTRIC CORPORATION
 TYPICAL PERFORMANCE CURVE for AC MOTOR

Model No 120025.00

Catalog No 120025.00

Curve at 230 Volts HP 1.00 PHASE 1
60 HZ
1 HP VOLTS 115/208-230

HZ 60 RPM 1740



FL TORQUE	<u>3</u>	Lb.Ft	FL AMPS	<u>12.8/6.4</u>	
BD TORQUE	<u>7.0</u>	Lb.Ft	PU TORQUE	<u>6.7</u>	Lb.Ft
LR TORQUE	<u>9</u>	Lb.Ft	LR AMPS	<u>33</u>	
WINDING	C634256-3		Date	4/12/2018	