

PRODUCT INFORMATION PACKET



Model No: M143C17DB2K

Catalog No: 120003.00

..1HP..1740RPM.143.DP.115/208-230V.1PH.60HZ.CONT.40C.1.15SF.RIGID.M143C17DB2K.....GENERAL PURPOSE.MANUAL.....

Air Compressor



Regal and Leeson are trademarks of Regal Beloit Corporation or one of its affiliated companies.

©2018 Regal Beloit Corporation, All Rights Reserved. MC017097E





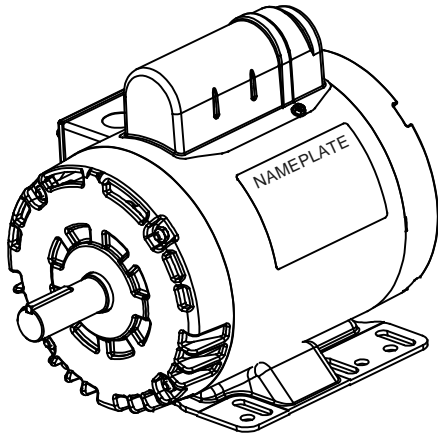
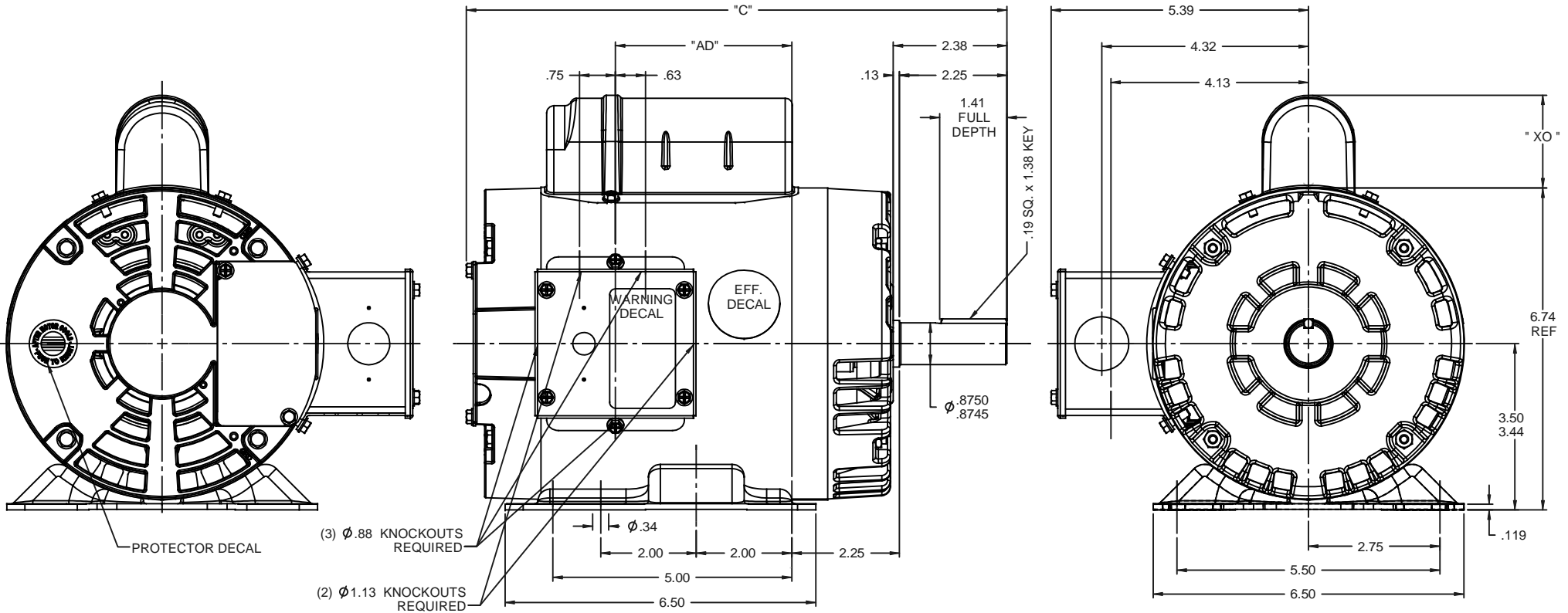
Nameplate Specifications

Output HP	1 Hp	Output KW	0.75 kW
Frequency	60 Hz	Voltage	115/208-230 V
Current	12.8/6.4 A	Speed	1740 rpm
Service Factor	1.15	Phase	1
Efficiency	75 %	Duty	Continuous
Insulation Class	B	Design Code	N
KVA Code	K	Frame	143T
Enclosure	Drip Proof	Overload Protector	Manual
Ambient Temperature	40 °C	Drive End Bearing Size	6205
Opp Drive End Bearing Size	6203	UL	Recognized
CSA	Y	CE	N
IP Code	22		

Technical Specifications

Electrical Type	Capacitor Start Induction Run	Starting Method	Across The Line
Poles	4	Rotation	Selective Counterclockwise
Mounting	Rigid base	Motor Orientation	HORIZONTAL
Drive End Bearing	BALL	Opp Drive End Bearing	BALL
Frame Material	Rolled Steel	Shaft Type	T
Overall Length	11.31 in	Frame Length	6.00 in
Shaft Diameter	0.875 in	Shaft Extension	2.25 in
Assembly/Box Mounting	F1 ONLY		
Outline Drawing	028920-600B	Connection Diagram	005003.01

This is an uncontrolled document once printed or downloaded and is subject to change without notice. Date Created: 10/15/2018

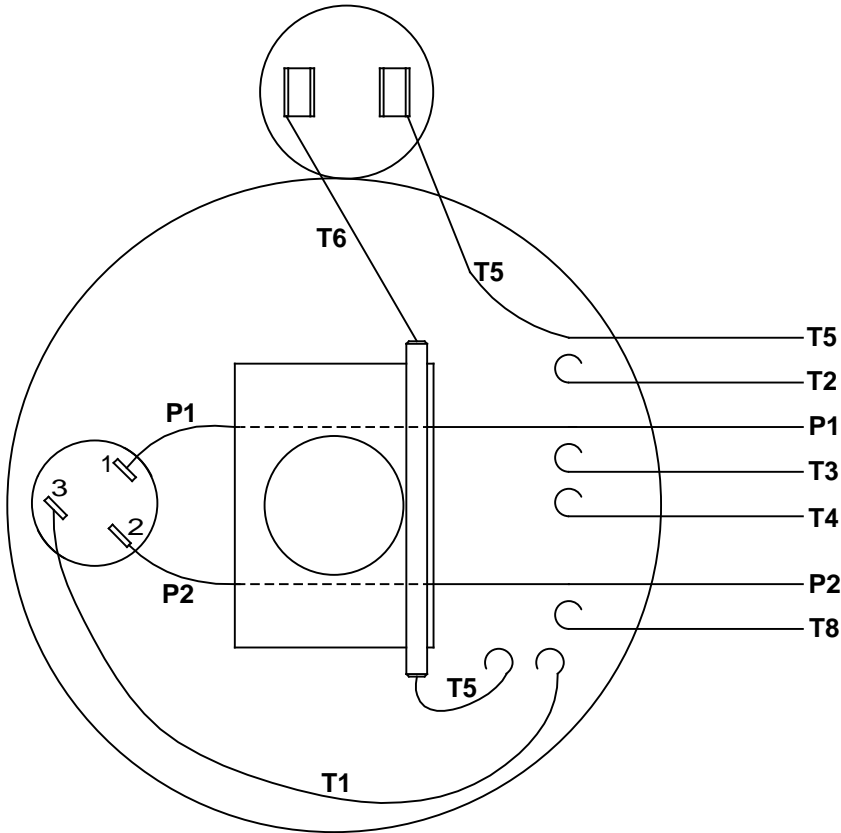


DASH NO.	"C"	"AD"	CAP. DASH	"XO"
550	10.81	3.19		
600	11.31	3.69		
650	11.81	4.19		
700	12.31	4.69	A	1.54
750	12.81	5.19	B	2.01
800	13.31	5.69	C	2.25
850	13.81	6.19		

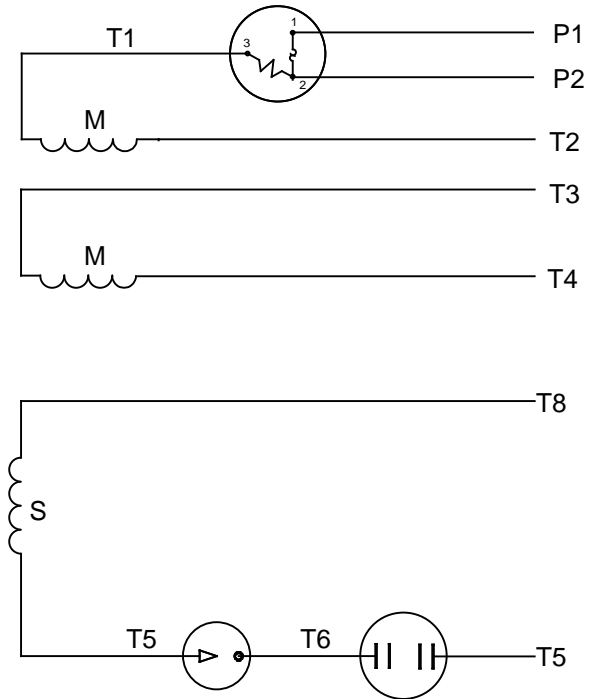
REVISION		BY & DATE	CHK	ANG	FINISH	SIZE	DRAWING NO	REV
THIRD ANGLE PROJECTION			RFP	$\pm 1/2^\circ$	PREV 033101	B	028920	

TOLERANCES UNLESS SPECIFIED		LEESON ELECTRIC MOTORS GEARMOTORS AND DRIVES		DRAWN VS 12/08/08
DEC	INCHES			CHK
x	$\pm .1$			APPR VS 12/08/08
.xx	$\pm .03$	TITLE OUTLINE - 140 FRAME		SCALE 1:2
.xxx	$\pm .005$	DRIP PROOF - RIGID		REF
.xxxx	$\pm .0005$	MAT'L		FMF 120003.00
NO				PAGE OF
				REV

VIEW FROM OUTSIDE OF MOTOR AT SWITCH END



LINE LEADS



RBC PROPRIETARY AND CONFIDENTIAL INFORMATION
 This document is the property of REGAL BELOIT CORPORATION ("RBC") including its subsidiaries and divisions and contains proprietary information of RBC. This document is loaned on the express condition that neither it nor the information contained therein shall be disclosed to others without the express written consent of RBC, and that the information shall be used by the recipient only as approved expressly by RBC. This document shall be returned to RBC upon its request. This document may be subject to certain restrictions under U.S. export control laws and regulations.

	ROTATION FACING LEAD END	L1	L2	JOIN	INSULATE SEPARATELY
HIGH VOLT	C.C.W.	P1	T4 T5	T2,T3 T8	P2
	C.W.	P1	T4 T8	T2,T3 T5	P2
LOW VOLT	C.C.W.	P1	T2,T4 T5	P2,T3 T8	---
	C.W.	P1	T2,T4 T8	P2,T3 T5	---

		TOLERANCES UNLESS SPECIFIED		ELECTRIC MOTORS GEARMOTORS AND DRIVES	DRAWN ADH 07/25/73 CHK APPR JCW 07/26/77
		DEC	INCHES		SCALE 1:1
		.X	±.1	TITLE EXTERNAL WIRING DIAGRAM TYPE "C" W/PROTECTOR	REF C4AMG1-2.4B
30	REDRAWN IN SOLIDWORKS	VJB 7/21/2011	.XXX ±.005	MAT'L DECAL - 004011	FMF FIG 2-32
29	UPDATED TO CURRENT STANDARDS	DBT 06/30/97	.XXXX ±.0005	FINISH	PAGE OF
NO	REVISION	BY & DATE	CHK ANG ±1/2°	RFP	PREV
THIRD ANGLE PROJECTION				NETWORK FILE NAME 00500301 SIZE A	DRAWING NO 005003-01
				REV	30

7/22/2011 7:12:39 AM

Dealers Industrial Equipment -- Visit <https://DealersElectric.com> or call (908) 688-1966 for all of your electric motor & VFD needs!



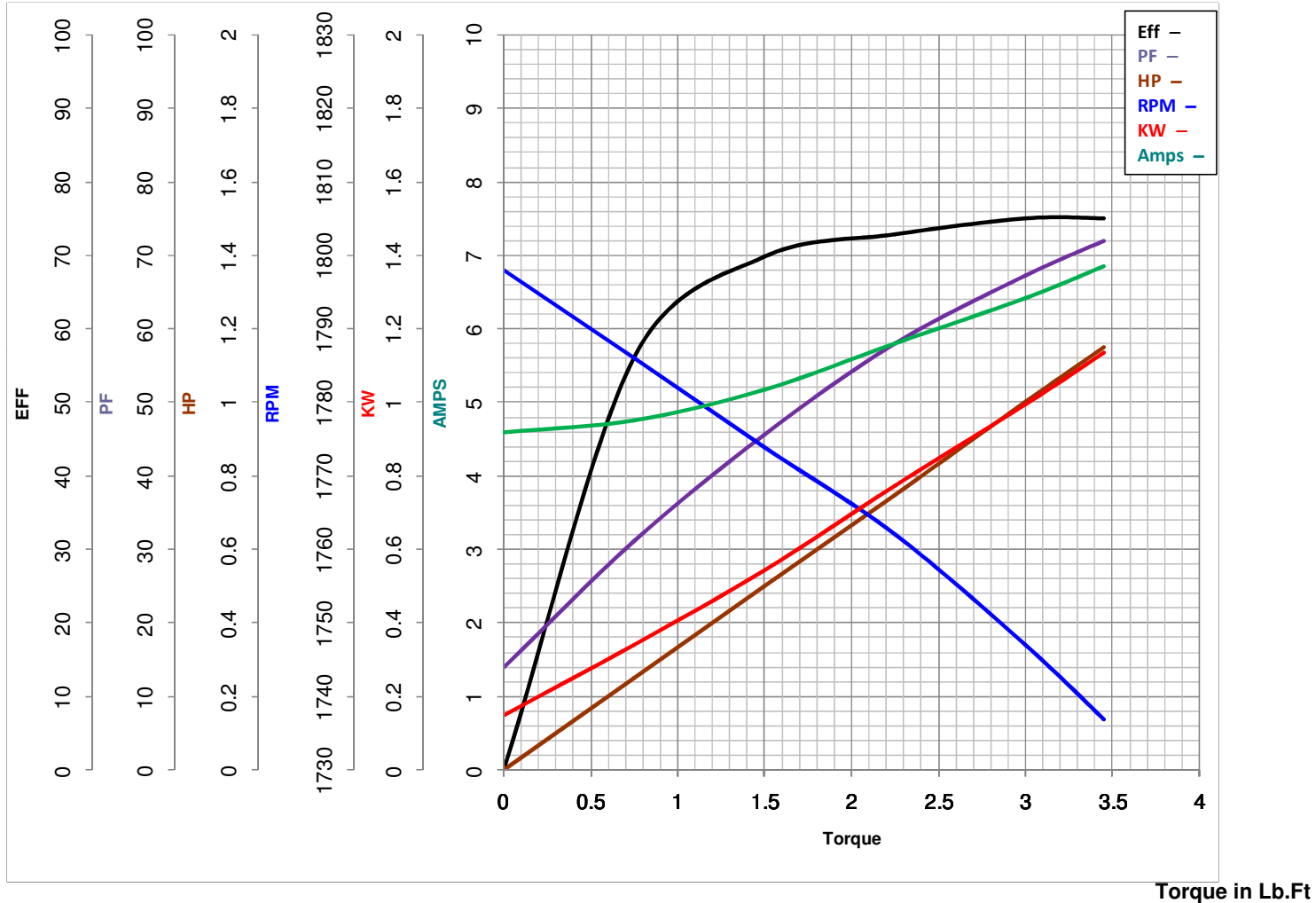
LEESON ELECTRIC CORPORATION
 TYPICAL PERFORMANCE CURVE for AC MOTOR

Model No 120003.00

Catalog No 120003.00

Curve at 230 Volts HP 1.00 PHASE 1
60 HZ
1 HP VOLTS 115/208-230

HZ 60 RPM 1740



FL TORQUE	<u>3</u>	Lb.Ft	FL AMPS	<u>12.8/6.4</u>
BD TORQUE	<u>6.9</u>	Lb.Ft	PU TORQUE	<u>6.7</u> Lb.Ft
LR TORQUE	<u>9</u>	Lb.Ft	LR AMPS	<u>33</u>
WINDING	C634256-3		Date	5/2/2018