

PRODUCT INFORMATION PACKET



Model No: 119554.00
Catalog No: 119554.00
1.50 HP Unit Handling Motor, 3 phase, 1800 RPM, 230/460 V, 56HC Frame, TEFC
Unit Handling Motors



Regal and Leeson are trademarks of Regal Beloit Corporation or one of its affiliated companies.
©2019 Regal Beloit Corporation, All Rights Reserved. MC017097E

The Regal logo is the word "REGAL" in white, bold, sans-serif capital letters, set against a dark grey rectangular background. The background of the entire page features a blue and black halftone pattern on the right side.

REGAL



Nameplate Specifications

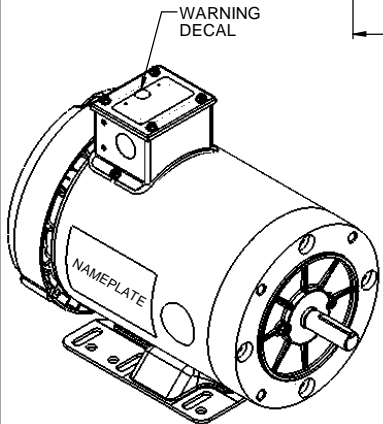
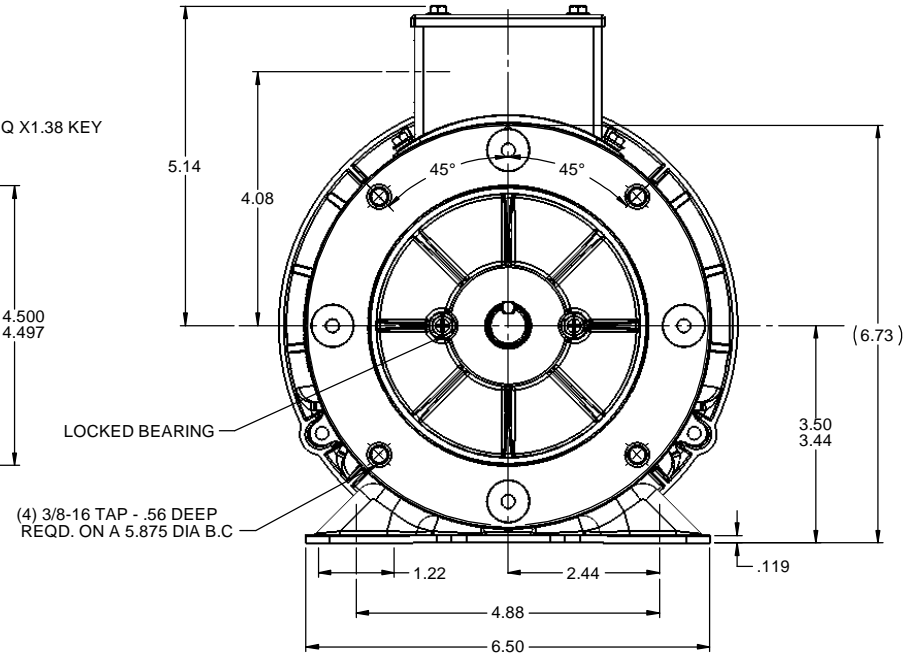
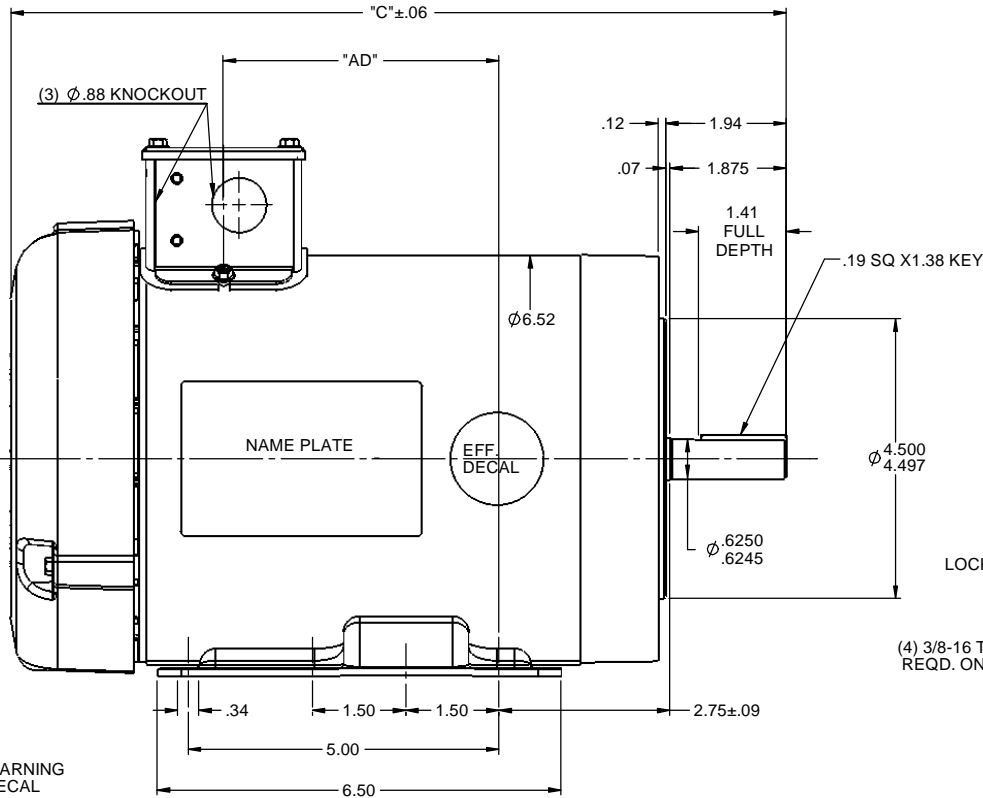
Output HP	1.50 Hp	Output KW	1.1 kW
Frequency	60 Hz	Voltage	230/460 V
Current	4.8/2.4 A	Speed	1750 rpm
Service Factor	1.15	Phase	3
Efficiency	86.5 %	Power Factor	67.7
Duty	Continuous	Insulation Class	F
Design Code	B	KVA Code	L
Frame	56HC	Enclosure	Totally Enclosed Fan Cooled
Thermal Protection	No	Ambient Temperature	40 °C
Drive End Bearing Size	6203	Opp Drive End Bearing Size	6203
UL	Recognized	CSA	Y
CE	N	IP Code	43

Technical Specifications

Electrical Type	Squirrel Cage Induction Run	Starting Method	Across The Line
Poles	4	Rotation	Reversible
Resistance Main	9.12 Ohms	Mounting	Rigid base
Motor Orientation	Horizontal	Drive End Bearing	Ball
Opp Drive End Bearing	Ball	Frame Material	Rolled Steel
Shaft Type	NEMA 56	Overall Length	12.98 in
Frame Length	7.50 in	Shaft Diameter	0.625 in
Shaft Extension	1.94 in	Assembly/Box Mounting	F3

This is an uncontrolled document once printed or downloaded and is subject to change without notice. Date Created:01/11/2019

RBC PROPRIETARY AND CONFIDENTIAL INFORMATION
 This document is the property of REGAL BELOIT CORPORATION ("RBC") including its subsidiaries and divisions and contains proprietary information of RBC. This document is loaned on the express condition that neither it nor the information contained therein shall be disclosed to others without the express written consent of RBC, and that the information shall be used by the recipient only as approved expressly by RBC. This document shall be returned to RBC upon its request. This document may be subject to certain restrictions under U.S. export control laws and regulations.



MAXIMUM FACE RUNOUT TO BE .004 T.I.R
 MAXIMUM PILOT ECCENTRICITY .004 T.I.R
 PERMISSIBLE SHAFT RUNOUT .002 T.I.R

DASH NO.	"C"	"AD"
700	12.48	4.44
750	12.98	4.94
800	13.48	5.44
850	13.98	5.94
900	14.48	6.44

NOTE:
 1) GASKETS THROUGHOUT

TOLERANCES UNLESS SPECIFIED		LEESON	ELECTRIC MOTORS GEARMOTORS AND DRIVES	DRAWN	JD 11/05/2011
DEC	INCHES			CHK	VS 11/05/2011
X	±.1			APPR	
XX	±.03		TITLE	SCALE	1:2
XXX	±.005		C-FACE T.E.F.C	REF	607-0027
XXXX	±.0005		MATL	FMF	117707.00
			FINISH	PAGE	OF
NO	REVISION	BY & DATE	CHK	ANG	±1/2°
	THIRD ANGLE PROJECTION		RFP	PREV	
			NETWORK FILE NAME	607-0029	
			SIZE	B	
			DRAWING NO	607-0029	
			REV		