

PRODUCT INFORMATION PACKET



Model No: C6T17FB195A

Catalog No: 119552.00

..1HP..1800RPM.56.TEFC.200-208V.3PH.60HZ.CONT.40C.1.15 S.F..RIGID.....SPECIAL VOLTAGE.....
200/400 Volts



Regal and Leeson are trademarks of Regal Beloit Corporation or one of its affiliated companies.

©2018 Regal Beloit Corporation, All Rights Reserved. MC017097E





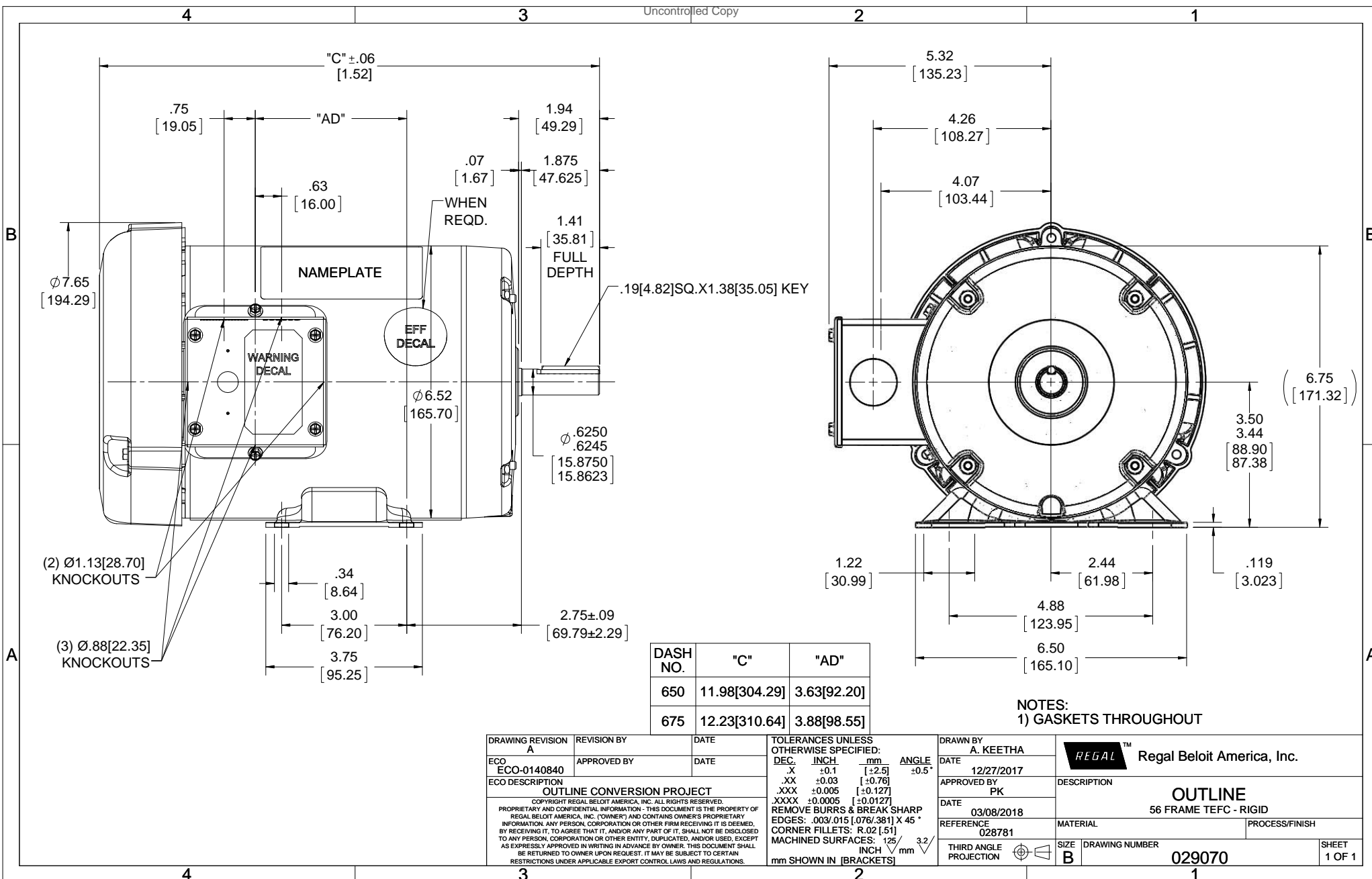
Nameplate Specifications

Output HP	1 Hp	Output KW	0.75 kW
Frequency	60 Hz	Voltage	200-208 V
Current	3.2-3.2 A	Speed	1760 rpm
Service Factor	1.15	Phase	3
Efficiency	85.5 %	Duty	Continuous
Insulation Class	B	Design Code	B
KVA Code	L	Frame	56
Enclosure	Totally Enclosed Fan Cooled	Overload Protector	No
Ambient Temperature	40 °C	Drive End Bearing Size	6203
Opp Drive End Bearing Size	6203	UL	Recognized
CSA	Y	CE	Y
IP Code	43		

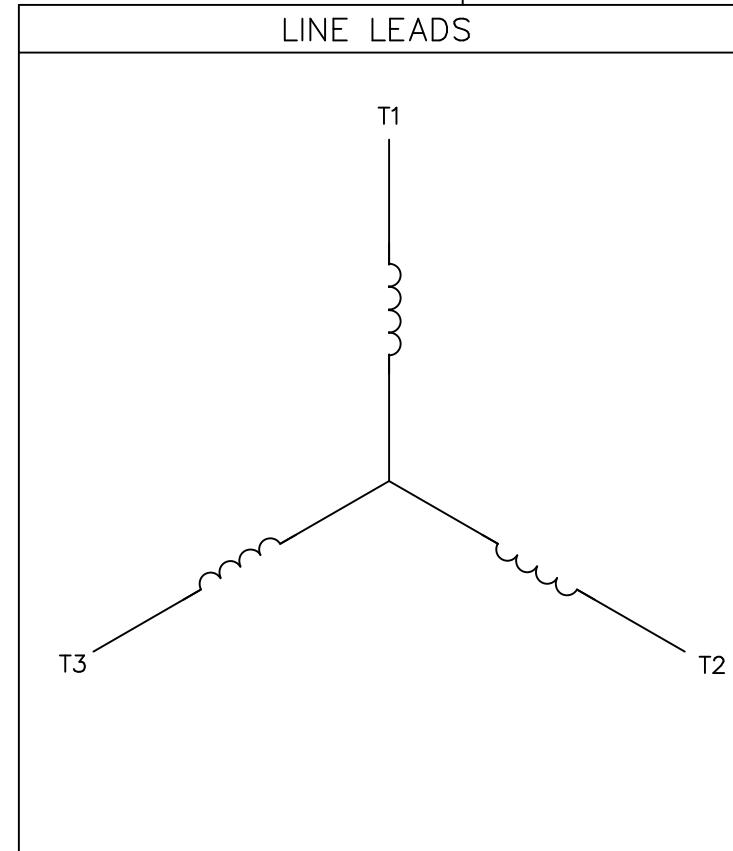
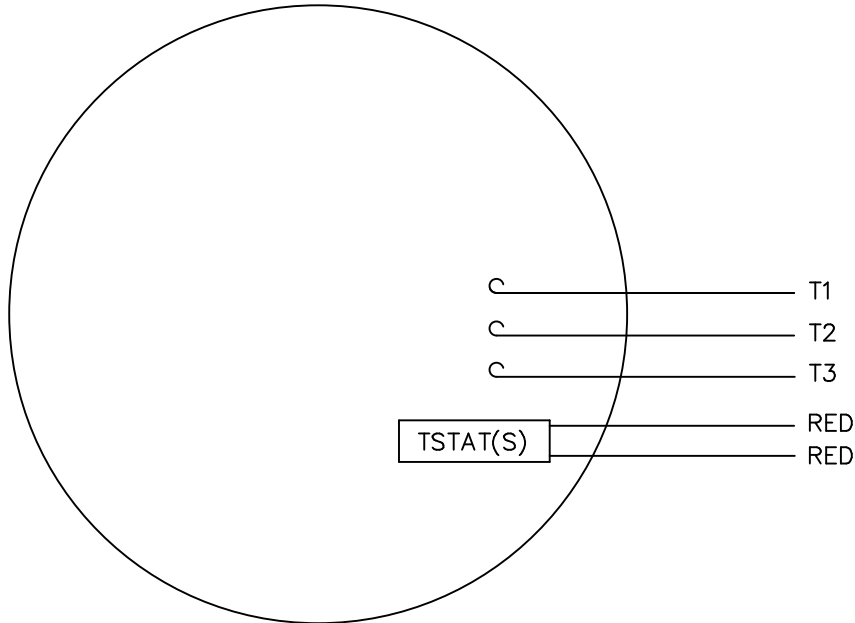
Technical Specifications

Electrical Type	Squirrel Cage Induction Run	Starting Method	Across The Line
Poles	4	Rotation	Reversible
Mounting	Rigid base	Motor Orientation	HORIZONTAL
Drive End Bearing	BALL	Opp Drive End Bearing	BALL
Frame Material	Rolled Steel	Shaft Type	NEMA 56
Overall Length	12.23 in	Frame Length	6.75 in
Shaft Diameter	0.625 in	Shaft Extension	1.88 in
Assembly/Box Mounting	F1 ONLY		
Outline Drawing	029070-675	Connection Diagram	005102.13

This is an uncontrolled document once printed or downloaded and is subject to change without notice. Date Created: 10/15/2018



VIEW FROM OUTSIDE OF MOTOR AT SWITCH END.



CONNECT LEADS AS FOLLOWS

LINE	L1	L2	L3	
MOTOR	T1	T2	T3	

TOLERANCES UNLESS OTHERWISE SPECIFIED

DECIMALS

.00 ± .01

.000 ± .005

.0000 ± .0005

FRACTIONS ± 1/64

ANGLES ± 1/2°

INCH/MM

LEESON ELECTRIC CORPORATION

DRAWN MN 9/28/98

CH'K'D.

APPR.

SCALE 1=1

REF. 005102-13

FMF

TITLE EXT. WIRING DIAGRAM
TYPE "T" W/O PROTECTOR

MAT'L. DECAL - 004169
(TSTAT) - 080582

FINISH

SIZE

DRAWING NO.

A

005102-13

NO.	REVISION	BY	DATE

THIS DRAWING IN DESIGN AND DETAIL IS OUR PROPERTY AND MUST NOT BE USED EXCEPT IN CONNECTION WITH OUR WORK ALL RIGHTS OF DESIGN AND INVENTION ARE RESERVED

