

PRODUCT INFORMATION PACKET



Model No: C6T17FB184A

Catalog No: 119539.00

119539.00..1HP..1760RPM.56.TEFC.575.3PH.60HZ.CONT.40C.1.15SF.RIGID.C6T17FB184.....GENERAL PURPOSE.T-STATS.....

575 Volts



Regal and Leeson are trademarks of Regal Beloit Corporation or one of its affiliated companies.

©2018 Regal Beloit Corporation, All Rights Reserved. MC017097E



Product Information Packet: Model No: C6T17FB184A, Catalog No:119539.00
 119539.00..1HP..1760RPM.56.TEFC.575.3PH.60HZ.CONT.40C.1.15SF.RIGID.C6T17FB184.....GENERAL
 PURPOSE.T-STATS.....



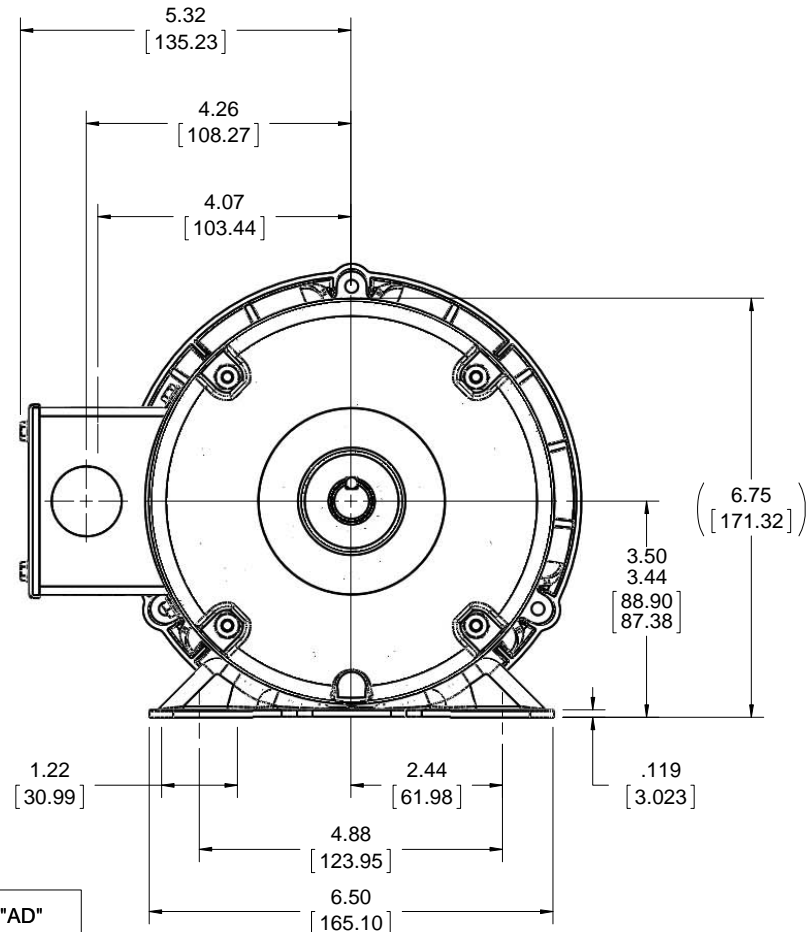
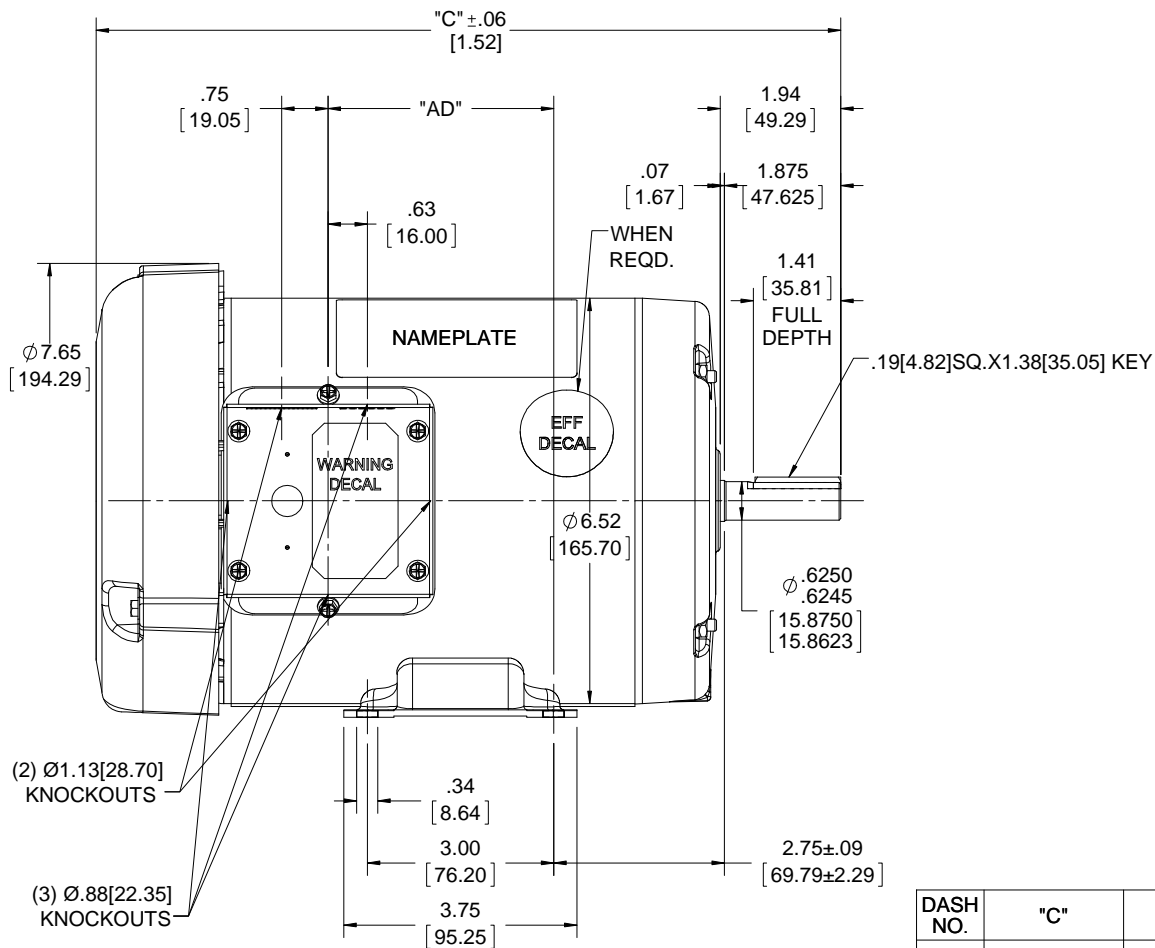
Nameplate Specifications

Output HP	1 Hp	Output KW	0.75 kW
Frequency	60 Hz	Voltage	575 V
Current	1.3 A	Speed	1760 rpm
Service Factor	1.15	Phase	3
Efficiency	85.5 %	Duty	Continuous
Insulation Class	F	Design Code	B
KVA Code	N	Frame	56
Enclosure	Totally Enclosed Fan Cooled	Overload Protector	No
Ambient Temperature	40 °C	Drive End Bearing Size	6203
Opp Drive End Bearing Size	6203	UL	Recognized
CSA	Y	CE	N
IP Code	43		

Technical Specifications

Electrical Type	Squirrel Cage Induction Run	Starting Method	Across The Line
Poles	4	Rotation	Reversible
Mounting	Rigid base	Motor Orientation	HORIZONTAL
Drive End Bearing	BALL	Opp Drive End Bearing	BALL
Frame Material	Rolled Steel	Shaft Type	NEMA 56
Overall Length	12.23 in	Frame Length	6.75 in
Shaft Diameter	0.625 in	Shaft Extension	1.88 in
Assembly/Box Mounting	F1 ONLY		
Outline Drawing	029070-675	Connection Diagram	005102.13

This is an uncontrolled document once printed or downloaded and is subject to change without notice. Date Created: 10/15/2018

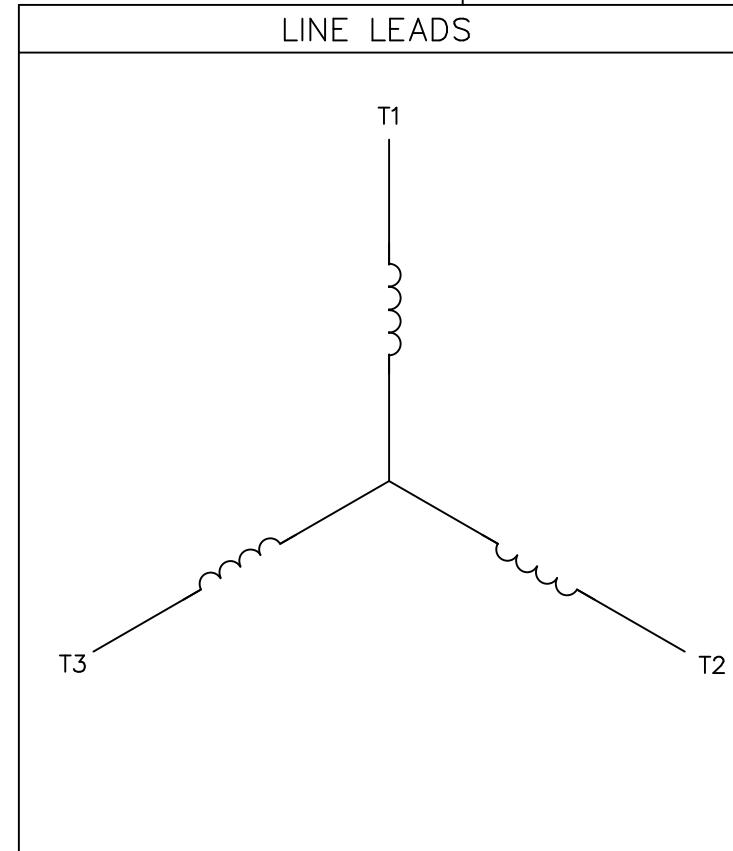
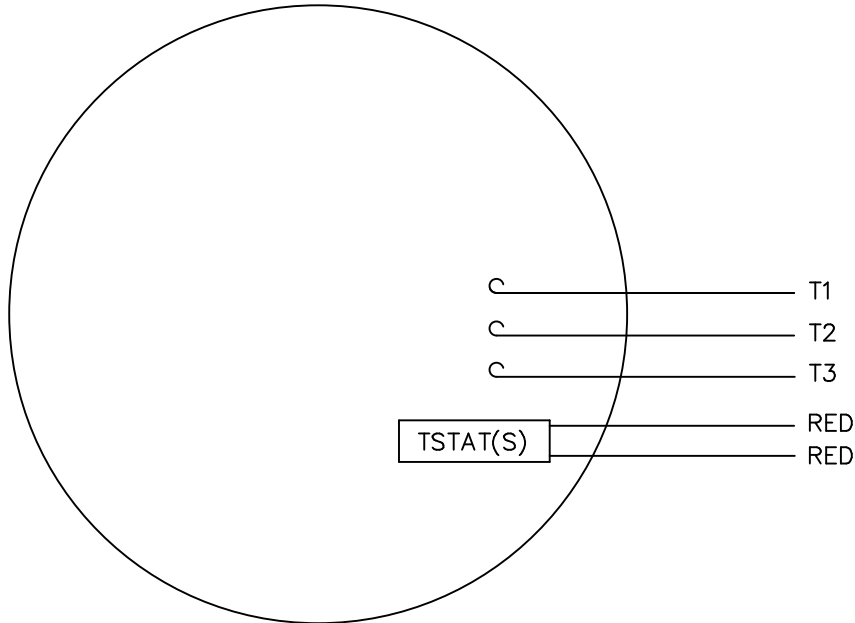


DASH NO.	"C"	"AD"
650	11.98[304.29]	3.63[92.20]
675	12.23[310.64]	3.88[98.55]

NOTES:
1) GASKETS THROUGHOUT

DRAWING REVISION A		REVISION BY APPROVED BY	DATE	TOLERANCES UNLESS OTHERWISE SPECIFIED: DEC. INCH mm ANGLE ±0.5° -X ±0.1 [+2.5] .XX ±0.03 [+0.76] .XXX ±0.005 [+0.127] .XXXX ±0.0005 [+0.0127] REMOVE BURRS & BREAK SHARP EDGES: .003/.015 [.076/.381] X 45° CORNER FILLETS: R.02 [.51] MACHINED SURFACES: 125/3.2 INCH/mm SHOWN IN [BRACKETS]	DRAWN BY A. KEETHA	Regal Beloit America, Inc.
ECO ECO-0140840	DATE	DATE	DATE 12/27/2017		APPROVED BY PK	
ECO DESCRIPTION OUTLINE CONVERSION PROJECT <small>COPYRIGHT REGAL BELOIT AMERICA, INC. ALL RIGHTS RESERVED. PROPRIETARY AND CONFIDENTIAL INFORMATION - THIS DOCUMENT IS THE PROPERTY OF REGAL BELOIT AMERICA, INC. (OWNER) AND CONTAINS OWNER'S PROPRIETARY INFORMATION. ANY PERSON, CORPORATION OR OTHER FIRM RECEIVING IT IS DEEMED, BY RECEIVING IT, TO AGREE THAT IT, AND/OR ANY PART OF IT, SHALL NOT BE DISCLOSED TO ANY PERSON, CORPORATION OR OTHER ENTITY, DUPLICATED, AND/OR USED, EXCEPT AS EXPRESSLY APPROVED IN WRITING IN ADVANCE BY OWNER. THIS DOCUMENT SHALL BE RETURNED TO OWNER UPON REQUEST. IT MAY BE SUBJECT TO CERTAIN RESTRICTIONS UNDER APPLICABLE EXPORT CONTROL LAWS AND REGULATIONS.</small>				DATE 03/08/2018	MATERIAL	PROCESS/FINISH
THIRD ANGLE PROJECTION			SIZE B	DRAWING NUMBER 029070	SHEET 1 OF 1	

VIEW FROM OUTSIDE OF MOTOR AT SWITCH END.



CONNECT LEADS AS FOLLOWS

LINE	L1	L2	L3	
MOTOR	T1	T2	T3	

TOLERANCES UNLESS OTHERWISE SPECIFIED

DECIMALS

.00 ± .01

.000 ± .005

.0000 ± .0005

FRACTIONS ± 1/64

ANGLES ± 1/2°

INCH/MM

LEESON ELECTRIC CORPORATION

DRAWN MN 9/28/98

CH'K'D.

APPR.

SCALE 1=1

REF. 005102-13

FMF

TITLE EXT. WIRING DIAGRAM
TYPE "T" W/O PROTECTOR

MAT'L. DECAL - 004169
(TSTAT) - 080582

FINISH

SIZE

DRAWING NO.
A 005102-13

NO.	REVISION	BY	DATE

THIS DRAWING IN DESIGN AND DETAIL IS OUR PROPERTY AND MUST NOT BE USED EXCEPT IN CONNECTION WITH OUR WORK ALL RIGHTS OF DESIGN AND INVENTION ARE RESERVED



P.O. BOX 8003
WAUSAU, WI 54401-8003
PH. 715-675-3311

CERTIFICATION DATA SHEET

DATA VOLTS: 460

CONN. DIAGRAM: 005102.13
OUTLINE: 028781.675
WINDING: T634342

CAT #: 119539.00

FR 4

TYPICAL MOTOR PERFORMANCE DATA

HP	KW	SYNC RPM	FL RPM	FRAME	ENCLOSURE	TYPE	KVA CODE	DESIGN	
1	0.75	1800	1760	56	TEFC	TFR	N	B	
PH	HZ	VOLTS	AMPS	START TYPE	DUTY	INSL	S.F.	AMB	ELEV.
3	60	575	1.25	ACROSS THE LINE	CONT	F	1.15	40	3300
F.L. EFF	85.5	3/4 LD EFF	85.4	1/2 LD EFF	79.6	GTD EFF		ELECT. TYPE	
F.L. PF	68.5	3/4 LD PF	61.5	1/2 LD PF	51.5	0.0		SO CAGE IND RUN	
F.L. TORQUE	LR AMPS @ 460 V	L.R. TORQUE		B.D. TORQUE		F.L. RISE (°C)			
3.0	LB-FT	11.2	12.0	LB-FT	400%	15.8	LB-FT	527%	38
PRESSURE @ 3	POWER	ROTOR WK²	MAX. LOAD WK²	SAFE STALL TIME	STARTS/HOUR	MOTOR WGT			
65	DBA	74	DBA	0.12	LB-FT²	0	LB-FT²	10	SEC.

*** SUPPLEMENTAL INFORMATION ***

DE BRACKET TYPE	ODE BRACKET TYPE	MOUNT TYPE	MOTOR ORIENTATION	SEVERE DUTY	HAZARDOUS LOCATION	DRIIP COVER	SCREENS	PAINT
STANDARD	STANDARD	RIGID	HORIZONTAL	NO	NONE	NO	NONE	N - LEESON WATTS
BEARINGS	GREASE	SHAFT TYPE	SPECIAL DE	SPECIAL ODE	SHAFT	MATERIAL	FRAME MATERIAL	
DE ODE	POLYREX EM	STANDARD 56	NONE	NONE	1144 STRESSPROOF (C-223)	ROLLED STEEL		
BALL BALL								
6203	6203							
THERMOSTATS	PROTECTORS	WDG RTD's	BRG RTD's	THERMISTORS	CONTROL	SPACE HEATERS		
TSTATS (N/C)	NOT	NONE	NONE	NONE	FALSE	NA		
R1 (ohms/ph)	R2 (ohms/ph)	X1 (ohms/ph)	X2 (ohms/ph)	Xm (ohms/ph)	VIBRATION (in/sec)	FLOAT ODE		
0	0	0	0	0	0.080			

* NOT TESTED		INVERTER TORQUE: NONE	
		INV. HP SPEED RANGE: NONE	
		ENCODER: NONE	
		NONE	
		NONE	
		BRAKE: NONE	
		NONE	
		FT-LB: NA	
		NONE	
		NONE	
		NONE PPR	

DATE:	1/31/2018		
UL:	Y-(LEESON UL REC)		



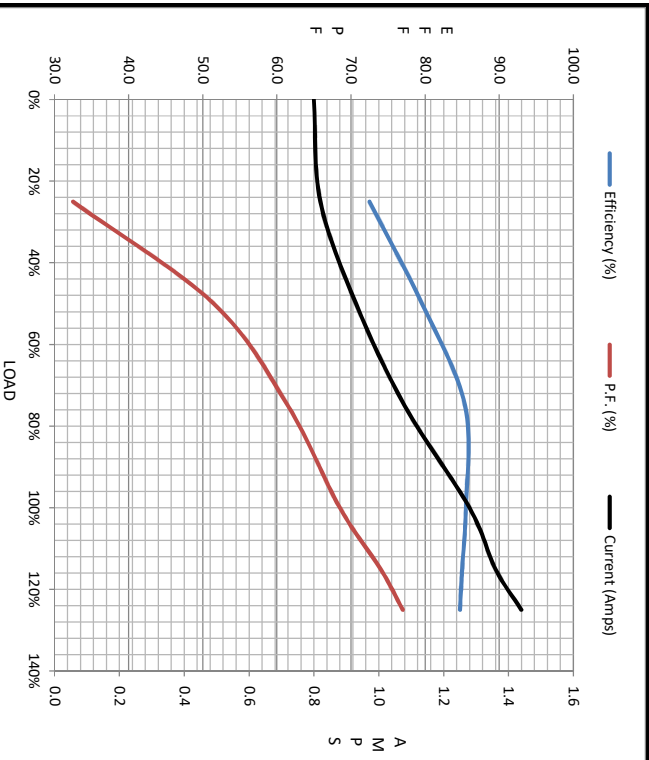
Motor Load Data						LR	
Load	0%	25%	50%	75%	100%	115%	125%
Current (Amps)	0.80	0.82	0.93	1.08	1.28	1.36	1.44
Torque (ft-lb)	0.00	0.75	1.50	2.25	3.0	3.5	3.8
HPM	1800	1789	1779	1769	1760	1750	1745
Efficiency (%)		72.5	79.6	85.4	85.5	85.0	84.7
P.F. (%)	8.0	32.5	51.5	61.5	68.5	74.0	77.0

Motor Speed Data

	LR	Pull-Up	BD	Rated	Idle
Speed (RPM)	0	900	1170	1760	1800
Current (Amps)	11.2	10.4	7.9	1.28	0.80
Torque (ft-lb)	12.0	11.9	15.8	3.0	0.00

Information Block

HP	1.0
Sync. RPM	1800
Frame	140
Enclosure	TEFC
Construction	TFR
Voltage	575 V
Frequency	60 Hz
Design	B
LR Code letter	N
Service Factor	1.15
Temp Rise @ FL	38 °C
Duty	CONT
Ambient	40 °C
Elevation	1,000 feet
Rotor/Shaft wk ²	0.12 LB-Ft ²
Ref Wdg	T634342 FR
Sound Pressure @ 1M	65 dBA
VFD Rating	NONE
Outline Dwg	028781.675
Conn. Diag	005102.13
Additional Specifications:	
0	
EQUIV CKT (OHMS / PHASE)	
R1	R2
0.0000	0.0000
X1	X2
0.0000	0.0000
Xm	Xm
0.0000	0.0000



Speed - Torque Curve

