

PRODUCT INFORMATION PACKET



Model No: C6T17FR3A
Catalog No: 119419.00
119419.00..1HP..1760RPM.56.TEFC.230/460V.3PH.60HZ.CONT.40C.1.15SF.RESILIENT
BASE.C6T17FR3.....NONE.....
Totally Enclosed Fan Cooled (TEFC)



Regal and Leeson are trademarks of Regal Beloit Corporation or one of its affiliated companies.

©2018 Regal Beloit Corporation, All Rights Reserved. MC017097E



**Product Information Packet: Model No: C6T17FR3A, Catalog No:119419.00
 119419.00..1HP..1760RPM.56.TEFC.230/460V.3PH.60HZ.CONT.40C.1.15SF.RESILIENT
 BASE.C6T17FR3.....NONE.....**



Nameplate Specifications

Output HP	1 Hp	Output KW	0.75 kW
Frequency	60 Hz	Voltage	208-230/460 V
Current	3.2-3.2/1.6 A	Speed	1760 rpm
Service Factor	1.15	Phase	3
Efficiency	85.5 %	Duty	Continuous
Insulation Class	F	Design Code	B
KVA Code	N	Frame	56H
Enclosure	Totally Enclosed Fan Cooled	Overload Protector	No
Ambient Temperature	40 °C	Drive End Bearing Size	6203
Opp Drive End Bearing Size	6203	UL	Recognized
CSA	Y	CE	Y
IP Code	43		

Technical Specifications

Electrical Type	Squirrel Cage Inverter Rated	Starting Method	Line Or Inverter
Poles	4	Rotation	Reversible
Mounting	Resilient Base	Motor Orientation	HORIZONTAL
Drive End Bearing	BALL	Opp Drive End Bearing	BALL
Frame Material	Rolled Steel	Shaft Type	NEMA 56
Overall Length	13.84 in	Frame Length	7.00 in
Shaft Diameter	0.625 in	Shaft Extension	1.87 in
Assembly/Box Mounting	F1 ONLY		
Outline Drawing	607-0214-700	Connection Diagram	005010.20

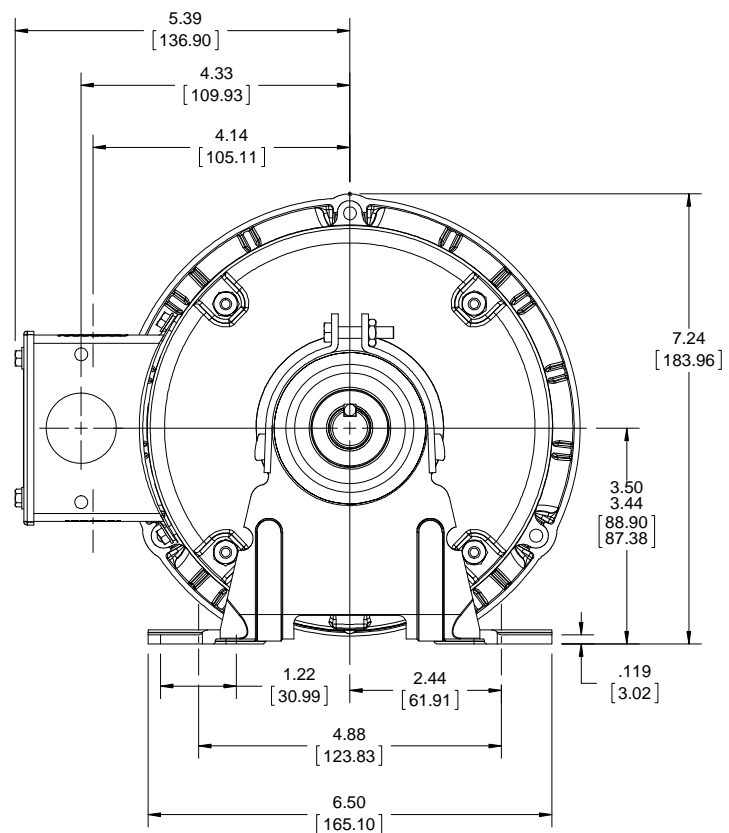
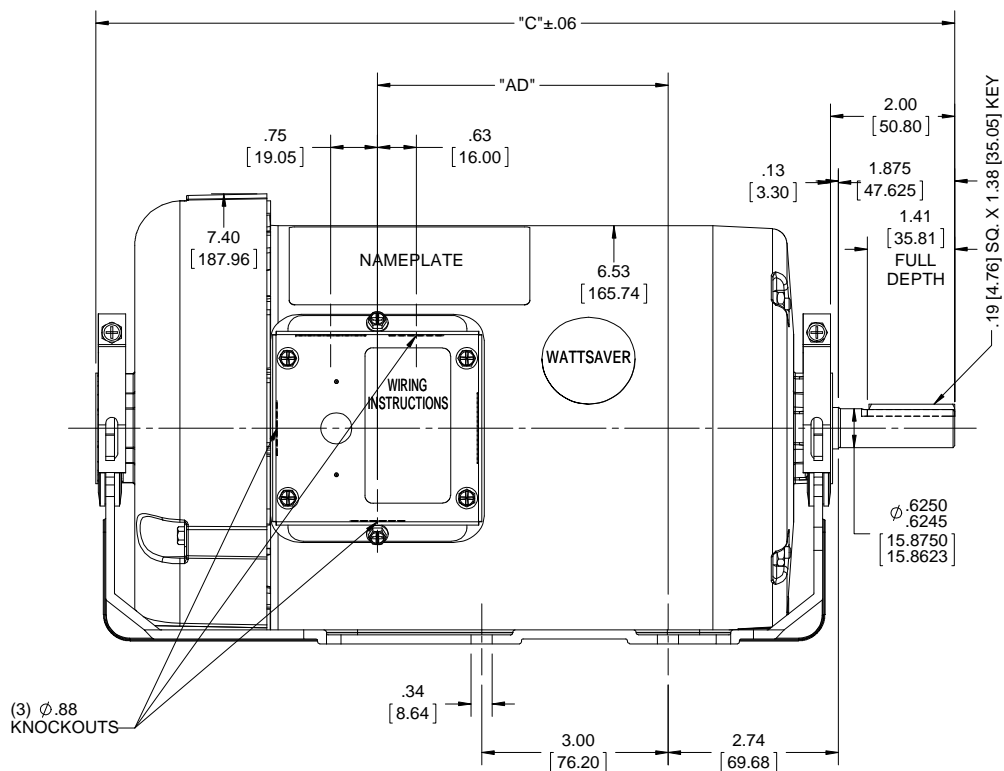
This is an uncontrolled document once printed or downloaded and is subject to change without notice. Date Created: 10/15/2018

B

B

A

A



DASH NO.	"C"	"AD"
700	13.84	4.68

DRAWING REVISION B	REVISION BY ARV 100000005	DATE 7/10/17
ECO ECO-0127092	APPROVED BY SK	DATE 7/10/17

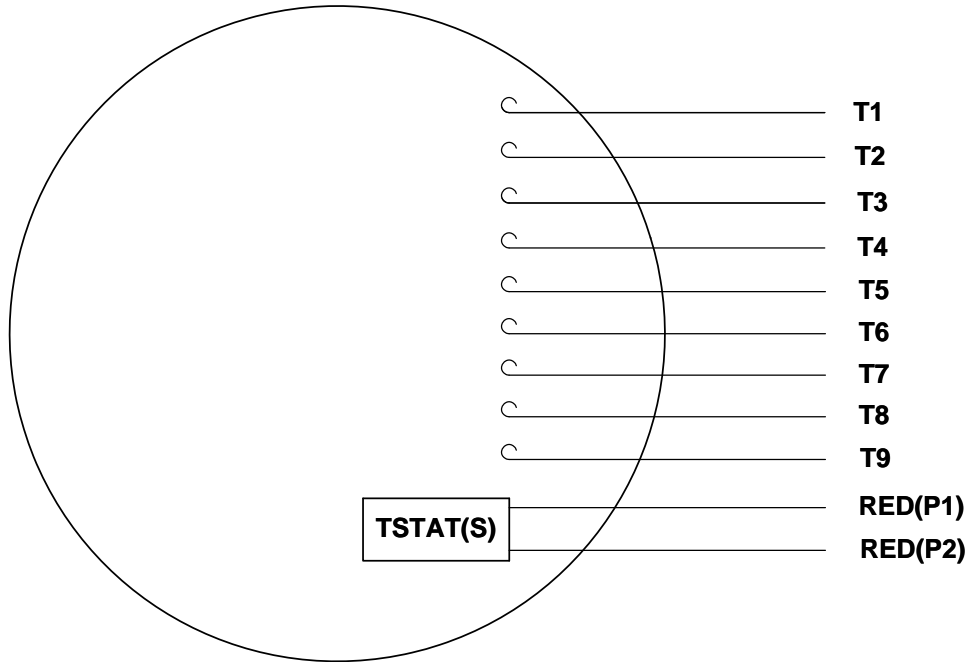
ECO DESCRIPTION CHANGED RES SCREW DIRECTION
 COPYRIGHT REGAL BELOIT AMERICA, INC. ALL RIGHTS RESERVED.
 PROPRIETARY AND CONFIDENTIAL INFORMATION - THIS DOCUMENT IS THE PROPERTY OF REGAL BELOIT AMERICA, INC. ("OWNER") AND CONTAINS OWNER'S PROPRIETARY INFORMATION. ANY PERSON, CORPORATION OR OTHER FIRM RECEIVING IT IS DEEMED, BY RECEIVING IT, TO AGREE THAT IT, AND/OR ANY PART OF IT, SHALL NOT BE DISCLOSED TO ANY PERSON, CORPORATION OR OTHER ENTITY, DUPLICATED, AND/OR USED, EXCEPT AS EXPRESSLY APPROVED IN WRITING IN ADVANCE BY OWNER. THIS DOCUMENT SHALL BE RETURNED TO OWNER UPON REQUEST. IT MAY BE SUBJECT TO CERTAIN RESTRICTIONS UNDER APPLICABLE EXPORT CONTROL LAWS AND REGULATIONS.

TOLERANCES UNLESS OTHERWISE SPECIFIED:
 DEC. INCH mm ANGLE ±0.5°
 .X ±0.1 [+2.5]
 .XX ±0.01 [+0.25]
 .XXX ±0.005 [+0.127]
 .XXXX ±0.0005 [+0.0127]
 REMOVE BURRS & BREAK SHARP
 EDGES: .003/.015 [0.076/.381] X 45°
 CORNER FILLETS: R.02 [.51]
 MACHINED SURFACES: 125/3.2
 INCH mm
 mm SHOWN IN [BRACKETS]

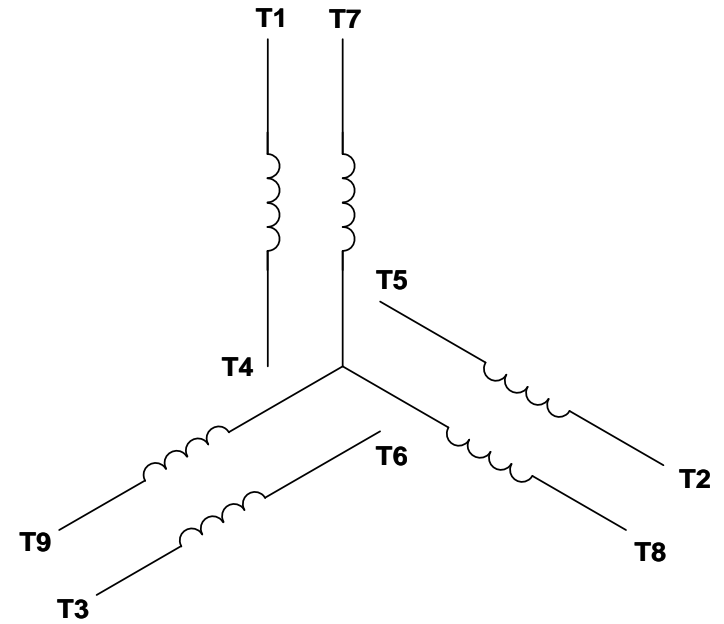
DRAWN BY CHRIS FISHER	DATE 9/3/2015
APPROVED BY	DATE
REFERENCE 028549	THIRD ANGLE PROJECTION

REGAL ™ Regal Beloit America, Inc.	
DESCRIPTION OUTLINE 56 FRAME T.E.F.C. - RESILIENT BASE	
MATERIAL	PROCESS/FINISH
SIZE B	DRAWING NUMBER 607-0214
SHEET 1 OF 1	

VIEW FROM OUTSIDE OF MOTOR AT SWITCH END. Uncontrolled Copy



LINE LEADS



VOLTAGE	L1	L2	L3	JOIN & INSULATE
HIGH	T1	T2	T3	(T4,T7) (T5,T8) (T6,T9)
LOW	T1,T7	T2,T8	T3,T9	T4,T5,T6

DRAWING REVISION **G** REVISION BY **MVG** DATE **04/05/2017**
 ECO **ECO-0121253** APPROVED BY **SM** DATE **04/05/2017**
 ECO DESCRIPTION
ADDED P1 & P2 FOR TSTAT
 COPYRIGHT REGAL BELOIT AMERICA, INC. ALL RIGHTS RESERVED.
 PROPRIETARY AND CONFIDENTIAL INFORMATION - THIS DOCUMENT IS THE PROPERTY OF
 REGAL BELOIT AMERICA, INC. ("OWNER") AND CONTAINS OWNER'S PROPRIETARY
 INFORMATION. ANY PERSON, CORPORATION OR OTHER FIRM RECEIVING IT IS DEEMED,
 BY RECEIVING IT, TO AGREE THAT IT, AND/OR ANY PART OF IT, SHALL NOT BE DISCLOSED
 TO ANY PERSON, CORPORATION OR OTHER ENTITY, DUPLICATED, AND/OR USED, EXCEPT
 AS EXPRESSLY APPROVED IN WRITING IN ADVANCE BY OWNER. THIS DOCUMENT SHALL
 BE RETURNED TO OWNER UPON REQUEST. IT MAY BE SUBJECT TO CERTAIN
 RESTRICTIONS UNDER APPLICABLE EXPORT CONTROL LAWS AND REGULATIONS.

TOLERANCES UNLESS OTHERWISE SPECIFIED:
 DEC. INCH mm ANGLE
 .X ±0.1 [±2.5] ±0.5°
 .XX ±0.01 [±0.25]
 .XXX ±0.005 [±0.127]
 .XXXX ±0.0005 [±0.0127]
 REMOVE BURRS & BREAK SHARP
 EDGES: .003/.015 [.076/.381] X 45°
 CORNER FILLETS: R.02 [.51]
 MACHINED SURFACES: 125/3.2
 INCH/mm
 mm SHOWN IN [BRACKETS]

DRAWN BY **DBT 12/16/97**
 DATE
 APPROVED BY **KH 12/17/97**
 DATE
 REFERENCE
 THIRD ANGLE PROJECTION

REGAL™ Regal Beloit America, Inc.

DESCRIPTION
CONN DIAGRAM-EXTERNAL
 3 PHASE WITH PROTECTOR

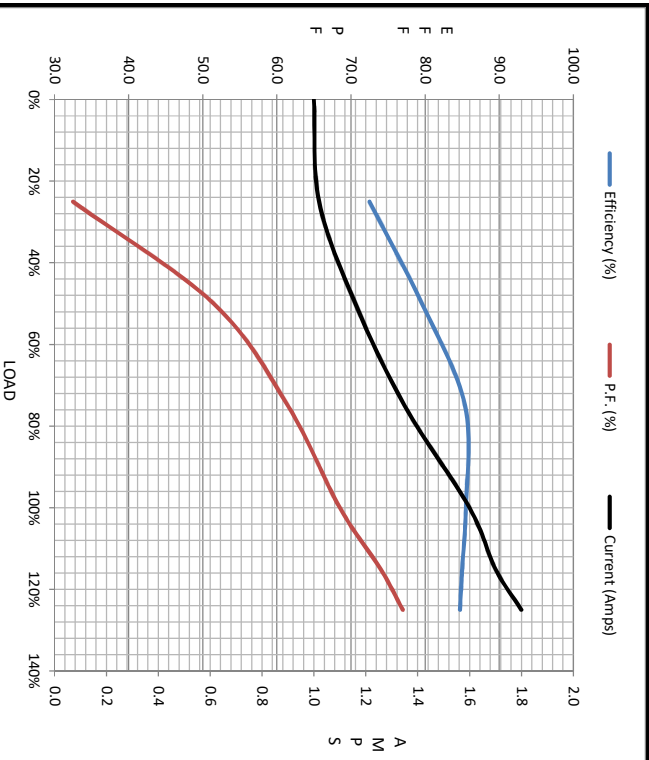
MATERIAL **DECAL - 004014 (TSTAT) - 080582** PROCESS/FINISH **STOCK**

SIZE **A** DRAWING NUMBER **00501020** SHEET **1 OF 1**



Motor Load Data						
Load	0%	25%	50%	75%	100%	LR
Current (Amps)	1.00	1.02	1.16	1.35	1.60	14.0
Torque (ft-lb)	0.00	0.75	1.50	2.25	3.0	12.0
RPM	1800	1789	1779	1769	1760	0
Efficiency (%)		72.5	79.6	85.4	85.5	
P.F. (%)	8.0	32.5	51.5	61.5	68.5	41.0

Motor Speed Data						Information Block																										
LR	Pull-Up	BD	Rated	Idle		HP	Sync. RPM	Frame	Enclosure	Construction	Voltage	Frequency	Design	LR Code letter	Service Factor	Temp Rise @ FL	Duty	Ambient	Elevation	Rotor/Shaft wk ²	Ref Wdg	Sound Pressure @ 1M	VFD Rating	Outline Dwg	Conn. Diag	Additional Specifications:	R1	R2	X1	X2	Xm	
0	900	1170	1760	1800		1.0	1800	140	TEFC	TFR	208-230/460	60	B	N	1.15	38	CONT	40 °C	1,000	0.12	T634342 FR	65	CONSTANT 10:1	607-0214-700	005010.20		0.0000	0.0000	0.0000	0.0000	0.0000	
14.0	13.0	9.9	1.60	1.00																												
12.0	11.9	15.8	3.0	0.00																												



LR	Pull-Up	BD	Rated	Idle
0	900	1170	1760	1800
14.0	13.0	9.9	1.60	1.00
12.0	11.9	15.8	3.0	0.00

