

PRODUCT INFORMATION PACKET



Model No: C6T11FB28A

Catalog No: 119395.00

119395.00..1HP..1170RPM.56.TEFC.230/460V.3PH.60HZ.CONT.40C.1.15SF.RIGID.C6T11FB28.....GENERAL PURPOSE.....

Totally Enclosed Fan Cooled (TEFC)



Regal and Leeson are trademarks of Regal Beloit Corporation or one of its affiliated companies.

©2018 Regal Beloit Corporation, All Rights Reserved. MC017097E



Product Information Packet: Model No: C6T11FB28A, Catalog No:119395.00
 119395.00..1HP..1170RPM.56.TEFC.230/460V.3PH.60HZ.CONT.40C.1.15SF.RIGID.C6T11FB28.....GENERAL
 PURPOSE.....



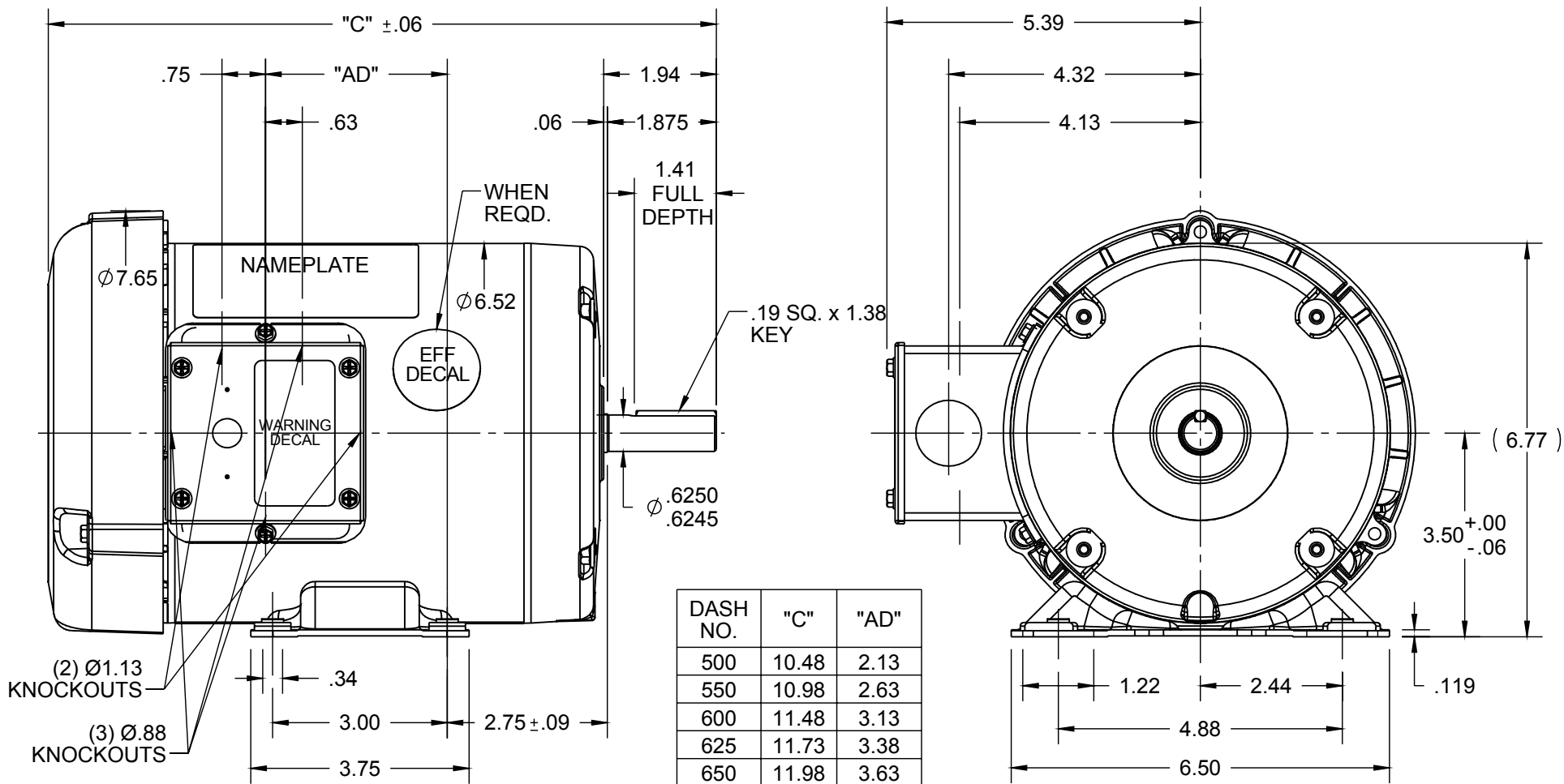
Nameplate Specifications

Output HP	1 Hp	Output KW	0.75 kW
Frequency	60 Hz	Voltage	208-230/460 V
Current	3.8-3.8/1.9 A	Speed	1170 rpm
Service Factor	1.15	Phase	3
Efficiency	82.5 %	Duty	Continuous
Insulation Class	F	Design Code	B
KVA Code	K	Frame	56
Enclosure	Totally Enclosed Fan Cooled	Overload Protector	No
Ambient Temperature	40 °C	Drive End Bearing Size	6203
Opp Drive End Bearing Size	6203	UL	Recognized
CSA	Y	CE	N
IP Code	43		

Technical Specifications

Electrical Type	Squirrel Cage Induction Run	Starting Method	Across The Line
Poles	6	Rotation	Reversible
Mounting	Rigid base	Motor Orientation	HORIZONTAL
Drive End Bearing	BALL	Opp Drive End Bearing	BALL
Frame Material	Rolled Steel	Shaft Type	NEMA 56
Overall Length	12.98 in	Frame Length	7.50 in
Shaft Diameter	0.625 in	Shaft Extension	1.88 in
Assembly/Box Mounting	F1 ONLY		
Outline Drawing	028781-750	Connection Diagram	005010.01


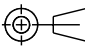
This is an uncontrolled document once printed or downloaded and is subject to change without notice. Date Created: 10/15/2018



DASH NO.	"C"	"AD"
500	10.48	2.13
550	10.98	2.63
600	11.48	3.13
625	11.73	3.38
650	11.98	3.63
675	12.23	3.88
700	12.48	4.13
750	12.98	4.63

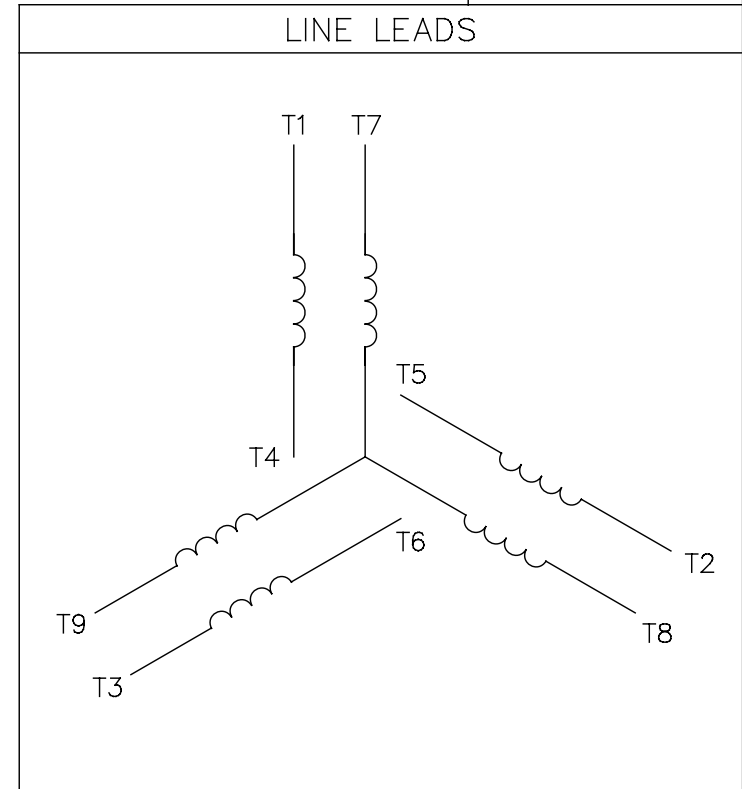
NOTES:
1) GASKETS THROUGHOUT

ORACLE
REV
003

DRAWING REVISION E		REVISION BY LK		DATE 11/24/2015		DRAWN BY KMM		 Regal Beloit America, Inc.									
ECO ECO-0089388		APPROVED BY GRB		DATE 11/24/2015		DATE 08/10/07											
ECO DESCRIPTION ADDED DASH #675 PER NMR-0089703						APPROVED BY		DESCRIPTION OUTLINE 56 FRAME TEFC - RIGID									
COPYRIGHT REGAL BELOIT AMERICA, INC. ALL RIGHTS RESERVED. PROPRIETARY AND CONFIDENTIAL INFORMATION - THIS DOCUMENT IS THE PROPERTY OF REGAL BELOIT AMERICA, INC. ("OWNER") AND CONTAINS OWNER'S PROPRIETARY INFORMATION. ANY PERSON, CORPORATION OR OTHER FIRM RECEIVING IT IS DEEMED, BY RECEIVING IT, TO AGREE THAT IT, AND/OR ANY PART OF IT, SHALL NOT BE DISCLOSED TO ANY PERSON, CORPORATION OR OTHER ENTITY, DUPLICATED, AND/OR USED, EXCEPT AS EXPRESSLY APPROVED IN WRITING IN ADVANCE BY OWNER. THIS DOCUMENT SHALL BE RETURNED TO OWNER UPON REQUEST. IT MAY BE SUBJECT TO CERTAIN RESTRICTIONS UNDER APPLICABLE EXPORT CONTROL LAWS AND REGULATIONS.						TOLERANCES UNLESS OTHERWISE SPECIFIED:		MATERIAL		PROCESS/FINISH GENERAL PURPOSE							
						DEC.		INCH		mm		ANGLE		SIZE		DRAWING NUMBER	
						.X		±0.1		[±2.5]		±0.5°		A		028781	
.XX		±0.03		[±0.76]				THIRD ANGLE PROJECTION		SHEET							
.XXX		±0.005		[±0.127]						1 OF 1							
.XXXX		±0.0005		[±0.0127]													
REMOVE BURRS & BREAK SHARP EDGES: .003/.015 [.076/.381] X 45°						CORNER FILLETS: R.02 [.51]											
MACHINED SURFACES: 125 [√] / 3.2 [√]						INCH / mm											
mm SHOWN IN [BRACKETS]																	

005010-01

VIEW FROM OUTSIDE OF MOTOR AT SWITCH END.



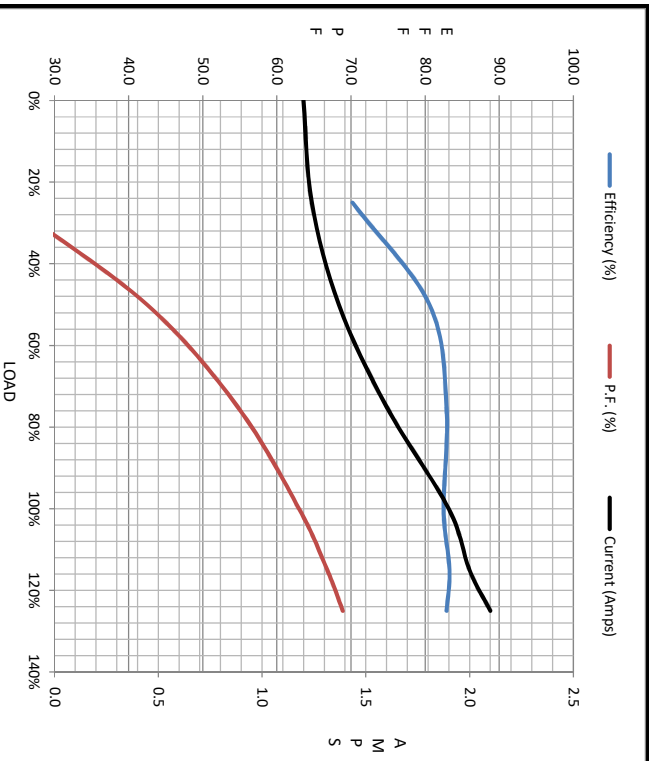
VOLTAGE	L1	L2	L3	JOIN & INSULATE
HIGH	T1	T2	T3	(T4,T7) (T5,T8) (T6,T9)
LOW	T1,T7	T2,T8	T3,T9	T4,T5,T6

				TOLERANCES UNLESS SPECIFIED		REGAL ™ Regal Beloit America, Inc.		DRAWN RDW 04/12/02		
				DEC.	INCHES			CHK		
				.X	±.1			APPD		
				.XX	±.01			SCALE 1=1		
				.XXX	±.005	TITLE		EXTERNAL WIRING DIAGRAM		
				.XXXX	±.0005	MAT'L.		DECAL - 004014		
				ANG	±1/2°	FINISH		REF FIG.2-51		
A	UPDATED TO REGAL LOGO			SAJ	06/26/15	AJY	.XXXX	±.0005	FMF	
NO.	REVISION			BY & DATE	CHK	ANG	±1/2°	FINISH	PREV	
THIS DRAWING IN DESIGN AND DETAIL IS OUR PROPERTY AND MUST NOT BE USED EXCEPT IN CONNECTION WITH OUR WORK ALL RIGHTS OF DESIGN AND INVENTION ARE RESERVED THIS IS AN ELECTRONICALLY GENERATED DOCUMENT - DO NOT SCALE THIS PRINT				RFP	04/12/02	CAD FILE	00501001	SIZE	DRAWING NO.	REV.
				DIST	BRF-NLV			A	005010-01	A



Motor Load Data									
Load	0%	25%	50%	75%	100%	115%	125%	LR	
Current (Amps)	1.20	1.24	1.37	1.60	1.90	2.00	2.10	10.7	
Torque (ft-lb)	0.00	1.10	2.23	3.4	4.5	5.3	5.7	13.5	
RPM	1200	1190	1180	1169	1160	1150	1145	0	
Efficiency (%)		70.2	80.6	82.5	82.5	83.3	82.9		
P.F. (%)	8.6	23.8	42.5	54.7	63.0	66.8	68.9	0.0	

Motor Speed Data						Information Block																									
LR	Pull-Up	BD	Rated	Idle		HP	Sync. RPM	Frame	Enclosure	Construction	Voltage	Frequency	Design	LR Code letter	Service Factor	Temp Rise @ FL	Duty	Ambient	Elevation	Rotor/Shaft wk ²	Ref Wdg	Sound Pressure @ 1M	VFD Rating	Outline Dwg	Conn. Diag	Additional Specifications:	R1	R2	X1	X2	Xm
0	125	750	1160	1200		1.0	1200	140	TEFC	TFR	208-230/460	60	B	K	1.15	42	CONT	40	1,000	0.14	FR	0	NONE	028781-750	005010.01		0.0000	0.0000	0.0000	0.0000	0.0000



EQUIV CKT (OHMS / PHASE)			
R1	R2	X1	Xm
0.0000	0.0000	0.0000	0.0000

