

PRODUCT INFORMATION PACKET



Model No: C6T17NK49A

Catalog No: 119286.00

C6T17NK49..1/4HP..1800RPM..56C.TENV.230/460V.3PH.60HZ.CONT.40C.1.0 S.F..RIGID C
FACE.....INVERTER DUTY.T-STATS.....

Totally Enclosed Non-Ventilated (TENV)



Regal and Leeson are trademarks of Regal Beloit Corporation or one of its affiliated companies.

©2018 Regal Beloit Corporation, All Rights Reserved. MC017097E





Nameplate Specifications

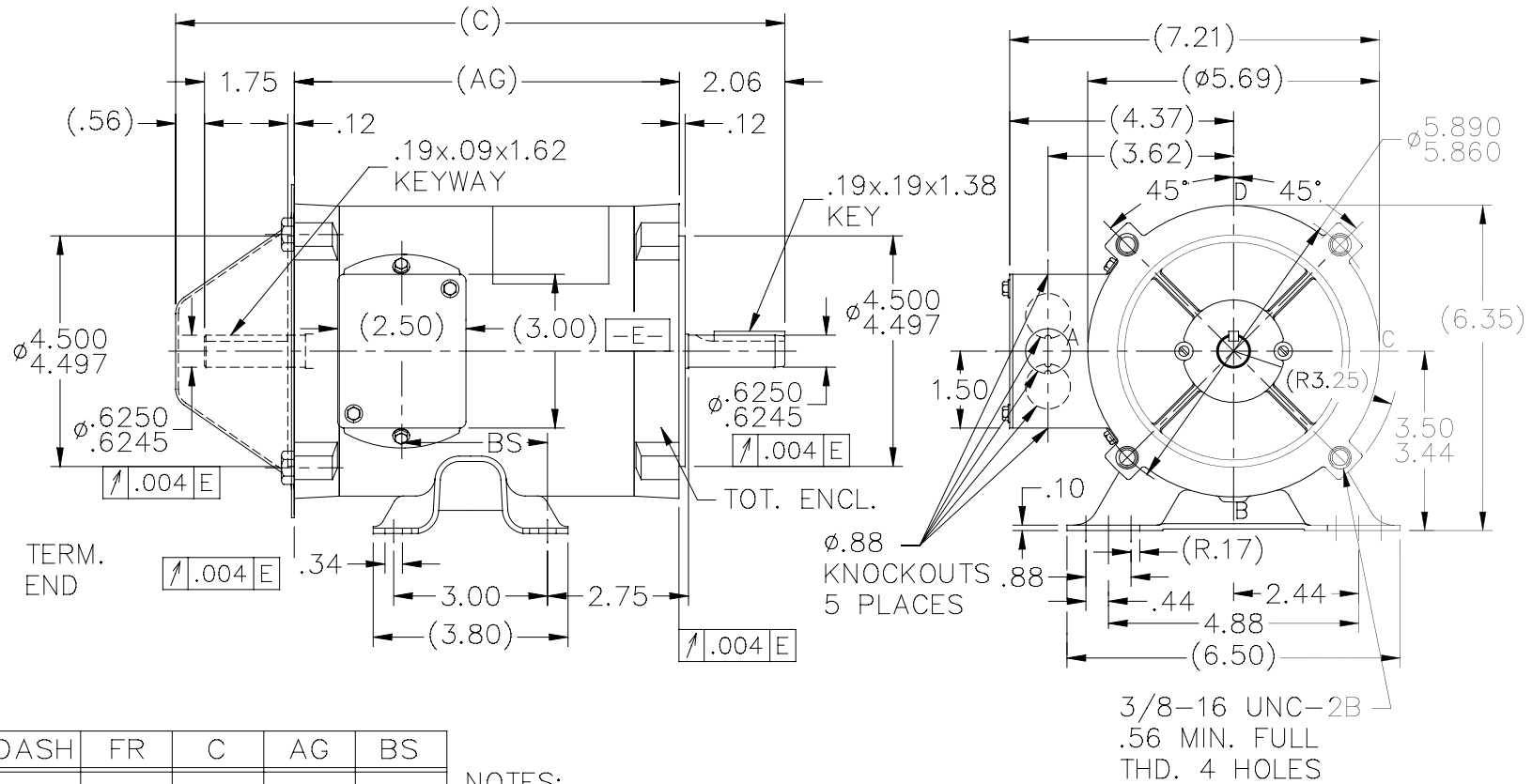
Output HP	0.25 Hp	Output KW	0.19 kW
Frequency	60 Hz	Voltage	230/460 V
Current	1.2/0.58 A	Speed	1725 rpm
Service Factor	1	Phase	3
Efficiency	70 %	Duty	Continuous
Insulation Class	F	Design Code	INV
KVA Code	P	Frame	56C
Enclosure	Totally Enclosed Non Ventilated	Overload Protector	No
Ambient Temperature	40 °C	Drive End Bearing Size	6203
Opp Drive End Bearing Size	6203	UL	Recognized
CSA	Y	CE	Y
IP Code	43		

Technical Specifications

Electrical Type	Squirrel Cage Inverter Duty	Starting Method	Inverter Only
Poles	4	Rotation	Reversible
Mounting	Rigid base	Motor Orientation	HORIZONTAL
Drive End Bearing	BALL	Opp Drive End Bearing	BALL
Frame Material	Rolled Steel	Shaft Type	NEMA 56
Overall Length	11.88 in	Frame Length	5.75 in
Shaft Diameter	0.625 in	Shaft Extension	1.88 in
Assembly/Box Mounting	F1 ONLY		
Outline Drawing	SS403151-575	Connection Diagram	EE7308T

This is an uncontrolled document once printed or downloaded and is subject to change without notice. Date Created: 10/15/2018

SS403151




DASH	FR	C	AG	BS
575	56	11.88	7.50	2.84

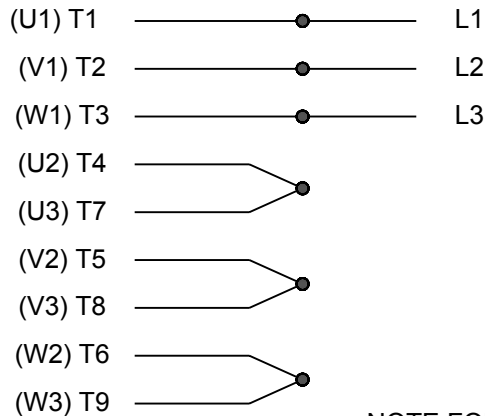
NOTES:
1- NAMEPLATE LOCATED AT 'D' TO BE READ FROM TERMINAL END

3/8-16 UNC-2B
.56 MIN. FULL THD. 4 HOLES

FACE MOUNTING DIMENSIONS ARE TYPICAL FOR EACH END

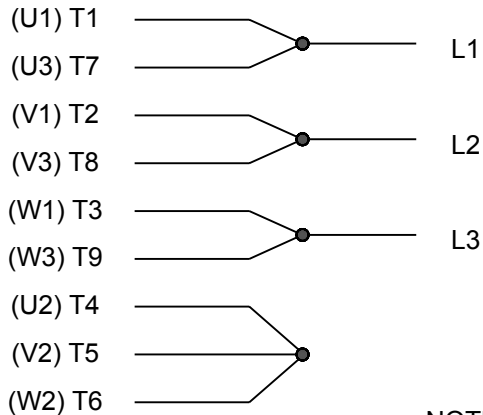
		TOLERANCES UNLESS SPECIFIED		 Regal Beloit America, Inc.		DRAWN TJB 06-04-2001	
		DEC.	INCHES			CHK	ML 06-26-2001
		.X	±.1			APPD	GK 06-26-2001
		.XX	±.03		TITLE OUTLINE	SCALE	11=32
2	REDRAWN IN AUTOCAD	TAT 06-24-2005	DRS .XXX	±.005	56 FRAME	REF	
1	NEW DRAWING	TJB 06-26-2001	.XXXX	±.0005	MAT'L.	FMF	
NO.	REVISION	BY & DATE	CHK	ANG	FINISH	PREV	
THIS DRAWING IN DESIGN AND DETAIL IS OUR PROPERTY AND MUST NOT BE USED EXCEPT IN CONNECTION WITH OUR WORK ALL RIGHTS OF DESIGN AND INVENTION ARE RESERVED THIS IS AN ELECTRONICALLY GENERATED DOCUMENT - DO NOT SCALE THIS PRINT			RFP		CAD FILE ss403151	SIZE	DRAWING NO. PAGE OF REV.
			DIST	WP		A	SS403151 2

HIGH VOLTAGE



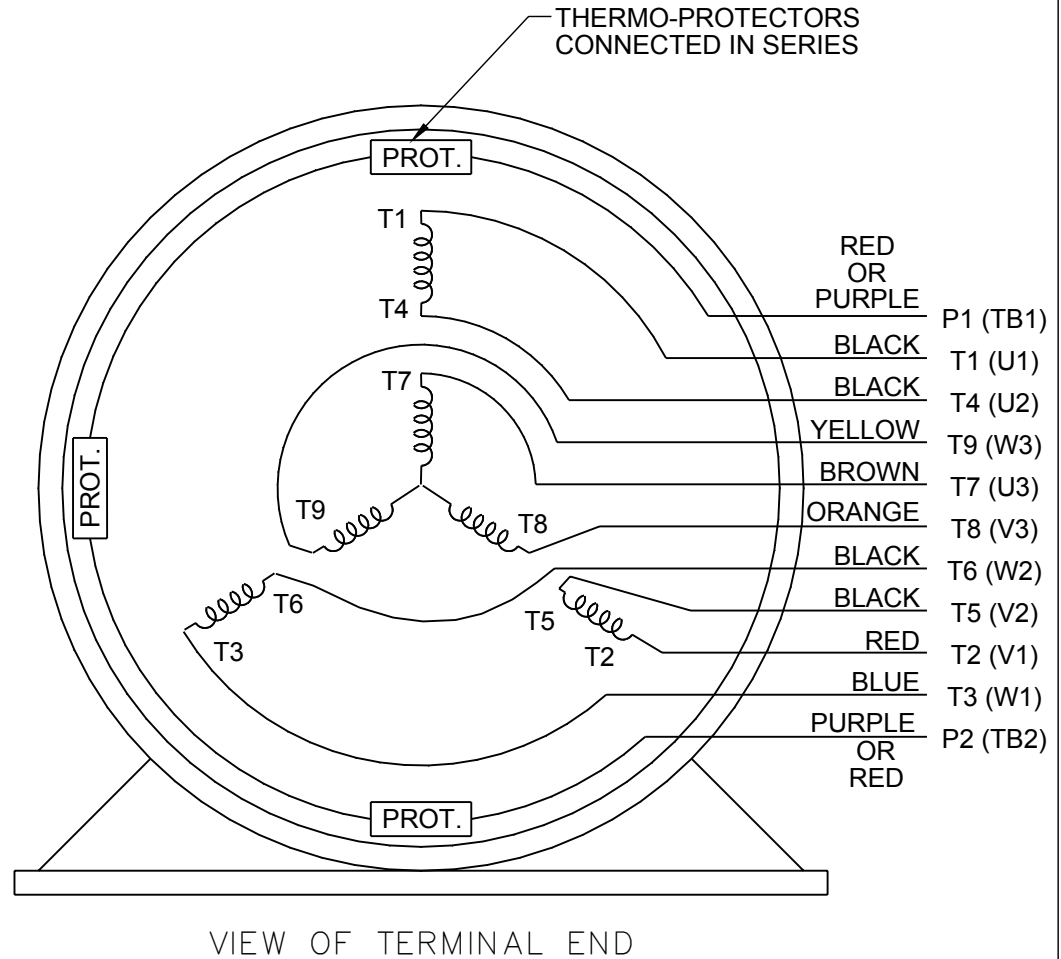
**NOTE FOR FACTORY USE ONLY:
 TO SURGE TEST FOR COMMON CONNECT:
 HIGH VOLT: CONNECT P1 TO T1
 THEN P2 TO L1
 LOW VOLT: CONNECT P1 TO T1 & T7,
 THEN P2 TO L1**

LOW VOLTAGE



NOTE: LEAD'S COLOR CAN BE YELLOW OR WHITE FOR MT2 PLANT

THREE PHASE DUAL VOLTAGE MOTOR



DRAWING REVISION R	REVISION BY AJW	DATE 07-17-2015		DRAWN BY SMC	Regal Beloit America, Inc.		
ECO ECO-0081632	APPROVED BY T. VUE	DATE 07-17-2015		DATE 05-13-1992			
ECO DESCRIPTION REV'D IEC NOTATIONS PER IEC 60034-8				APPROVED BY TB	CONN DIAGRAM-INTERNAL 3 PHASE - DUAL VOLTAGE MOTOR		
COPYRIGHT REGAL BELOIT AMERICA, INC. ALL RIGHTS RESERVED. PROPRIETARY AND CONFIDENTIAL INFORMATION - THIS DOCUMENT IS THE PROPERTY OF REGAL BELOIT AMERICA, INC. ("OWNER") AND CONTAINS OWNER'S PROPRIETARY INFORMATION. ANY PERSON, CORPORATION OR OTHER FIRM RECEIVING IT IS DEEMED, BY RECEIVING IT, TO AGREE THAT IT, AND/OR ANY PART OF IT, SHALL NOT BE DISCLOSED TO ANY PERSON, CORPORATION OR OTHER ENTITY, DUPLICATED, AND/OR USED, EXCEPT AS EXPRESSLY APPROVED IN WRITING IN ADVANCE BY OWNER. THIS DOCUMENT SHALL BE RETURNED TO OWNER UPON REQUEST. IT MAY BE SUBJECT TO CERTAIN RESTRICTIONS UNDER APPLICABLE EXPORT CONTROL LAWS AND REGULATIONS.				DATE 05-13-1992			MATERIAL
				REFERENCE EE7308/EE7300	SIZE A	DRAWING NUMBER EE7308T	SHEET 1 OF 1

