

# PRODUCT INFORMATION PACKET



Model No: C6T34WK29A

Catalog No: 119230.00

119230.00..1HP..3450RPM.56CZ.TEFC. 230/460VAC.3PH.60HZ.CONT.40C.1.15SF.RIGID C  
FACE.C6T34WK29.....MILK TRANSFER PUMP.NONE.....

Milk Transfer



Regal and Leeson are trademarks of Regal Beloit Corporation or one of its affiliated companies.

©2018 Regal Beloit Corporation, All Rights Reserved. MC017097E



Product Information Packet: Model No: C6T34WK29A, Catalog No:119230.00  
 119230.00..1HP..3450RPM.56CZ.TEFC. 230/460VAC.3PH.60HZ.CONT.40C.1.15SF.RIGID C  
 FACE.C6T34WK29.....MILK TRANSFER PUMP.NONE.....



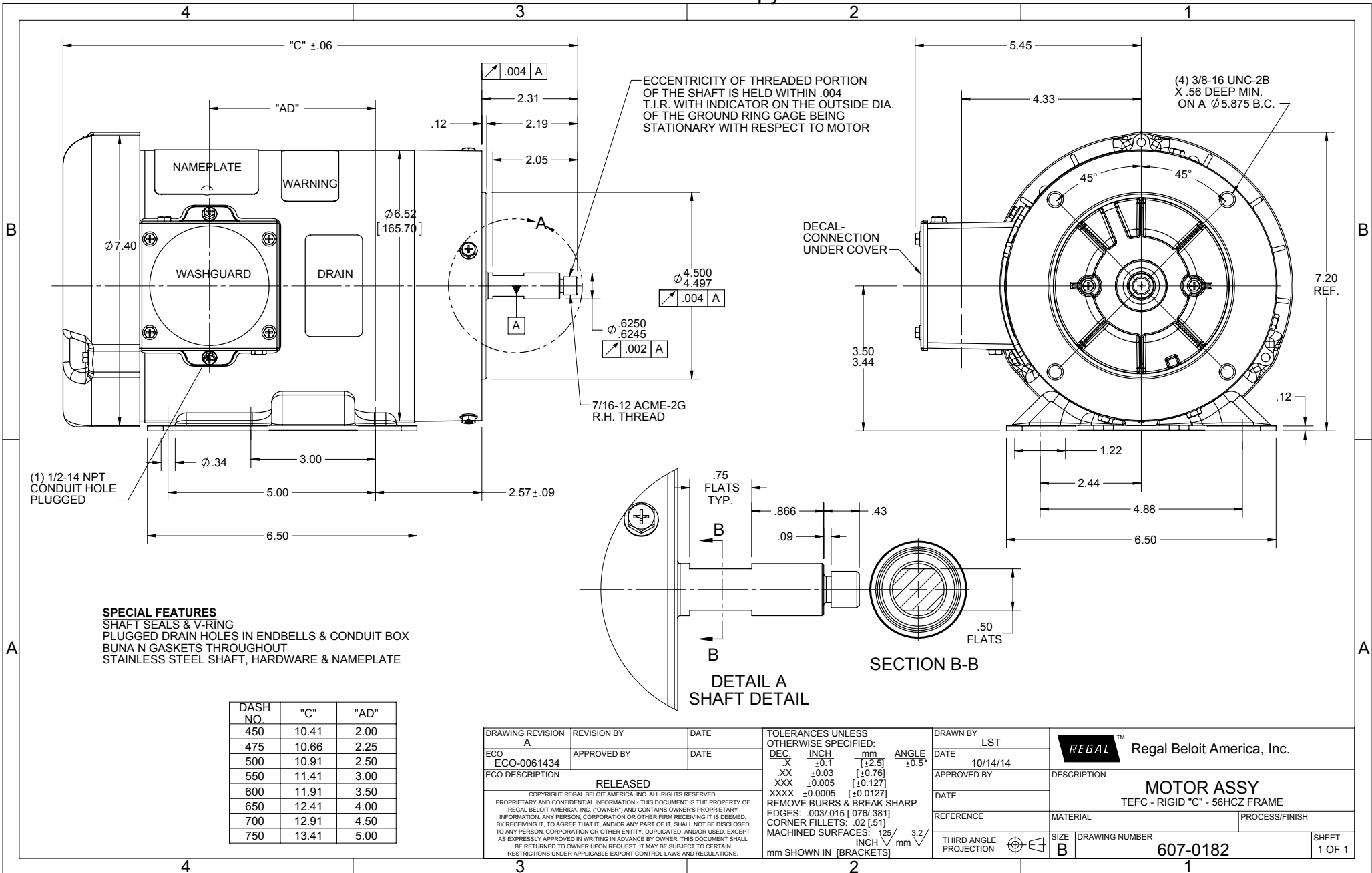
### Nameplate Specifications

Output HP	1 Hp	Output KW	0.75 kW
Frequency	60 Hz	Voltage	230/460 V
Current	3.2/1.6 A	Speed	3450 rpm
Service Factor	1.15	Phase	3
Efficiency	77 %	Duty	Continuous
Insulation Class	F	Design Code	B
KVA Code	J	Frame	56CZ
Enclosure	Totally Enclosed Fan Cooled	Overload Protector	No
Ambient Temperature	40 °C	Drive End Bearing Size	6205
Opp Drive End Bearing Size	6203	UL	Recognized
CSA	Y	CE	N
IP Code	43		

### Technical Specifications

Electrical Type	Squirrel Cage Induction Run	Starting Method	Across The Line
Poles	2	Rotation	Reversible
Mounting	Rigid base	Motor Orientation	HORIZONTAL
Drive End Bearing	BALL	Opp Drive End Bearing	BALL
Frame Material	Rolled Steel	Shaft Type	Single Special Extension
Overall Length	12.41 in	Frame Length	6.50 in
Shaft Diameter	0.625 in	Shaft Extension	2.19 in
Assembly/Box Mounting	F1 ONLY		
Outline Drawing	607-0182-650	Connection Diagram	005010.01

This is an uncontrolled document once printed or downloaded and is subject to change without notice. Date Created: 10/15/2018



**SPECIAL FEATURES**  
 SHAFT SEALS & V-RING  
 PLUGGED DRAIN HOLES IN ENDBELLS & CONDUIT BOX  
 BUNA N GASKETS THROUGHOUT  
 STAINLESS STEEL SHAFT, HARDWARE & NAMEPLATE

DASH NO.	"C"	"AD"
450	10.41	2.00
475	10.66	2.25
500	10.91	2.50
550	11.41	3.00
600	11.91	3.50
650	12.41	4.00
700	12.91	4.50
750	13.41	5.00

DRAWING REVISION A		REVISION BY	DATE	TOLERANCES UNLESS OTHERWISE SPECIFIED:		DRAWN BY LST		Regal Beloit America, Inc.	
ECO ECO-0061434		APPROVED BY	DATE	DEC.	INCH	mm	ANGLE ±0.5°	DATE 10/14/14	DESCRIPTION <b>MOTOR ASSY</b> TEFC - RIGID "C" - 56HCZ FRAME
ECO DESCRIPTION		RELEASED		.X	±0.1	[±2.5]		APPROVED BY	
<small>COPYRIGHT REGAL BELOIT AMERICA, INC. ALL RIGHTS RESERVED.                  PROPRIETARY AND CONFIDENTIAL INFORMATION - THIS DOCUMENT IS THE PROPERTY OF REGAL BELOIT AMERICA, INC. (OWNER) AND CONTAINS OWNER'S PROPRIETARY INFORMATION. ANY PERSON, CORPORATION OR OTHER FIRM RECEIVING IT IS DEEMED, BY RECEIVING IT, TO AGREE THAT IT, AND/OR ANY PART OF IT, SHALL NOT BE DISCLOSED TO ANY PERSON, CORPORATION OR OTHER ENTITY, DUPLICATED, AND/OR USED, EXCEPT AS EXPRESSLY APPROVED IN WRITING IN ADVANCE BY OWNER. THIS DOCUMENT SHALL BE RETURNED TO OWNER UPON REQUEST. IT MAY BE SUBJECT TO CERTAIN RESTRICTIONS UNDER APPLICABLE EXPORT CONTROL LAWS AND REGULATIONS.</small>				REMOVE BURRS & BREAK SHARP EDGES: .003/.015 [.076/.381] CORNER FILLETS: .02 [.51] MACHINED SURFACES: 125/3.2 mm SHOWN IN [BRACKETS]		DATE	REFERENCE	MATERIAL	PROCESS/FINISH
				THIRD ANGLE PROJECTION		SIZE B	DRAWING NUMBER 607-0182	SHEET 1 OF 1	

005010-01

VIEW FROM OUTSIDE OF MOTOR AT SWITCH END.



VOLTAGE	L1	L2	L3	JOIN & INSULATE
HIGH	T1	T2	T3	(T4,T7) (T5,T8) (T6,T9)
LOW	T1,T7	T2,T8	T3,T9	T4,T5,T6

				TOLERANCES UNLESS SPECIFIED		<b>REGAL</b> ™ <b>Regal Beloit America, Inc.</b>		DRAWN RDW 04/12/02			
				DEC.	INCHES			CHK			
				.X	±.1			APPD			
				.XX	±.01			SCALE 1=1			
				.XXX	±.005	TITLE		REF FIG.2-51			
A	UPDATED TO REGAL LOGO	SAJ 06/26/15	AJY	.XXXX	±.0005	MAT'L.		FMF			
NO.	REVISION	BY & DATE	CHK	ANG	±1/2"	FINISH		PREV			
THIS DRAWING IN DESIGN AND DETAIL IS OUR PROPERTY AND MUST NOT BE USED EXCEPT IN CONNECTION WITH OUR WORK ALL RIGHTS OF DESIGN AND INVENTION ARE RESERVED THIS IS AN ELECTRONICALLY GENERATED DOCUMENT - DO NOT SCALE THIS PRINT				RFP	04/12/02	CAD FILE		00501001	SIZE	DRAWING NO.	REV.
				DIST	BRF-NLV			A	005010-01	A	



P.O. BOX 8003  
WAUSAU, WI 54401-8003  
PH. 715-675-3311

DATA VOLTS: 460

CERTIFICATION DATA SHEET

CONN. DIAGRAM: 005010.01  
OUTLINE: 607-0182-650  
WINDING: T632161

CAT #: 119230.00

FR 3

TYPICAL MOTOR PERFORMANCE DATA

HP	KW	SYNC RPM	FL RPM	FRAME	ENCLOSURE	TYPE	KVA CODE	DESIGN	
1	0.75	3600	3460	56C2	TEFC	TFR	J	B	
PH	HZ	VOLTS	AMPS	START TYPE	DUTY	INSL	S.F.	AMB	ELEV.
3	60	230/460	3.1/1.55	ACROSS THE LINE	CONT	F	1.15	40	3300
F.L. EFF		77.1	3/4 LD EFF	75.2	1/2 LD EFF	69.5	GTD EFF	ELECT. TYPE	
F.L. PF		80.0	3/4 LD PF	74.3	1/2 LD PF	62.6	0.0	SQ CAGE IND RUN	
F.L. TORQUE		LR AMPS @ 460 V		L.R. TORQUE	B.D. TORQUE	F.L. RISE (°C)			
1.55 LB-FT		10.0		3.6 LB-FT	232%	5.0 LB-FT	323%	53	
PRESSURE @ 3		POWER	ROTOR WK²	MAX. LOAD WK²	SAFE STALL TIME	STARTS/HOUR	MOTOR WGT		
0 DBA		9 DBA	0.03 LB-FT²	0 LB-FT²	0 SEC.	0	0 LB.		

\*\*\* SUPPLEMENTAL INFORMATION \*\*\*

DE BRACKET TYPE	ODE BRACKET TYPE	MOUNT TYPE	MOTOR ORIENTATION	SEVERE DUTY	HAZARDOUS LOCATION	DRIP COVER	SCREENS	PAINT
C-FACE	STANDARD	RIGID	HORIZONTAL	NO	NONE	NO	NONE	RAY - LIGHT (EPOX)
BEARINGS		GREASE	SHAFT TYPE	SPECIAL DE	SPECIAL ODE	SHAFT	MATERIAL	FRAME MATERIAL
DE	ODE	BALL	POLYREX EM	SGL SPL EXT	SPECIAL	NONE	303 STAINLESS (C-501)	ROLLED STEEL
6205	6203							
THERMOSTATS		PROTECTORS	WDG RTD's	BRG RTD's	THERMISTORS	CONTROL	SPACE HEATERS	
NONE		NOT	NONE	NONE	NONE	FALSE	NA	
R1 (ohms/ph)	R2 (ohms/ph)	X1 (ohms/ph)	X2 (ohms/ph)	Xm (ohms/ph)	VIBRATION (in/sec)	FLOAT		ODE
0	0	0	0	0	0.080			

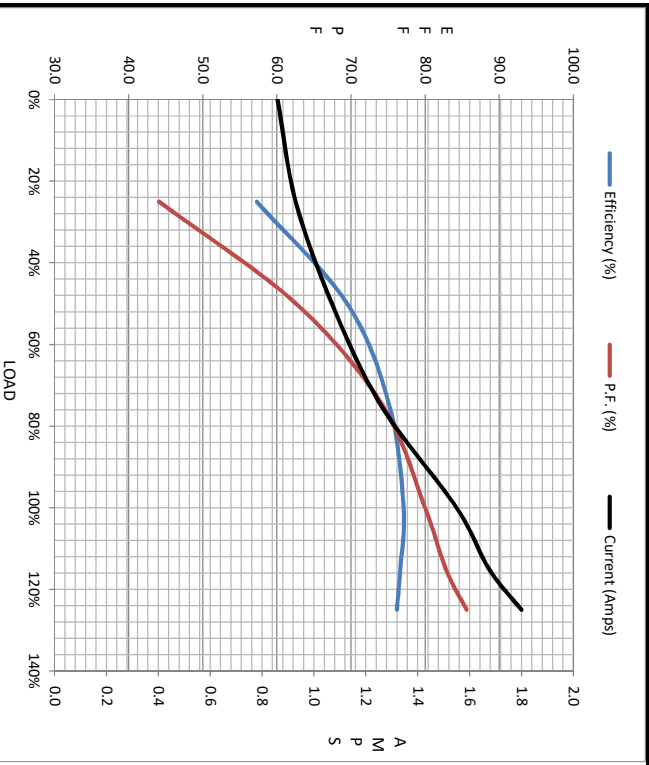
* NOT TESTED		INVERTER TORQUE: NONE	
		INV. HP SPEED RANGE: NONE	
		ENCODER: NONE	
		BRAKE: NONE	
		FT-LB: NA	
		VOLTAGE: NONE	
		HZ: NONE	

DATE:	1/18/2018	UL: Y:(LEESON UL REC)
-------	-----------	-----------------------



Motor Load Data						LR	
Load	0%	25%	50%	75%	100%	115%	125%
Current (Amps)	0.86	0.93	1.07	1.26	1.55	1.68	1.80
Torque (ft-lb)	0.00	0.37	0.74	1.13	1.55	1.74	1.93
HPM	3600	3563	3530	3495	3460	3440	3411
Efficiency (%)		57.3	69.5	75.2	77.1	76.7	76.2
P.F. (%)	23.1	44.1	62.6	74.3	80.0	82.8	85.6

Motor Speed Data						Information Block																										
LR	Pull-Up	BD	Rated	Idle		HP	Sync. RPM	Frame	Enclosure	Construction	Voltage	Frequency	Design	LR Code letter	Service Factor	Temp Rise @ FL	Duty	Ambient	Elevation	Rotor/Shaft wk <sup>2</sup>	Ref Wdg	Sound Pressure @ 1M	VFD Rating	Outline Dwg	Conn. Diag	Additional Specifications:	EQUIV CKT (OHMS / PHASE)	R1	R2	X1	X2	Xm
0	200	2600	3460	3600		1.0	3600	140	TEFC	TFR	230/460	60	B	J	1.15	53	CONT	40 °C	1,000	0.03	LB-Fk	0	dB(A)	NONE	607-0182-650	005010.01		0.0000	0.0000	0.0000	0.0000	0.0000



LR	Pull-Up	BD	Rated	Idle
0	200	2600	3460	3600
10.0	9.2	6.0	1.55	0.86
Torque (ft-lb)	3.6	3.5	5.0	0.00

