

# PRODUCT INFORMATION PACKET



Model No: C6D17EK6A

Catalog No: 118054.00

118054.00..1/3HP..1750RPM.56C.TENV.12VDC.DC.DC.CONT.40C.1.0SF.RIGID C FACE.C6D17EK6.....DC  
LOW VOLTAGE EX-PROOF.NONE.....

Explosion Proof



Regal and Leeson are trademarks of Regal Beloit Corporation or one of its affiliated companies.

©2018 Regal Beloit Corporation, All Rights Reserved. MC017097E



**Product Information Packet: Model No: C6D17EK6A, Catalog No:118054.00  
 118054.00..1/3HP..1750RPM.56C.TENV.12VDC.DC.DC.CONT.40C.1.0SF.RIGID C FACE.C6D17EK6.....DC LOW  
 VOLTAGE EX-PROOF.NONE.....**



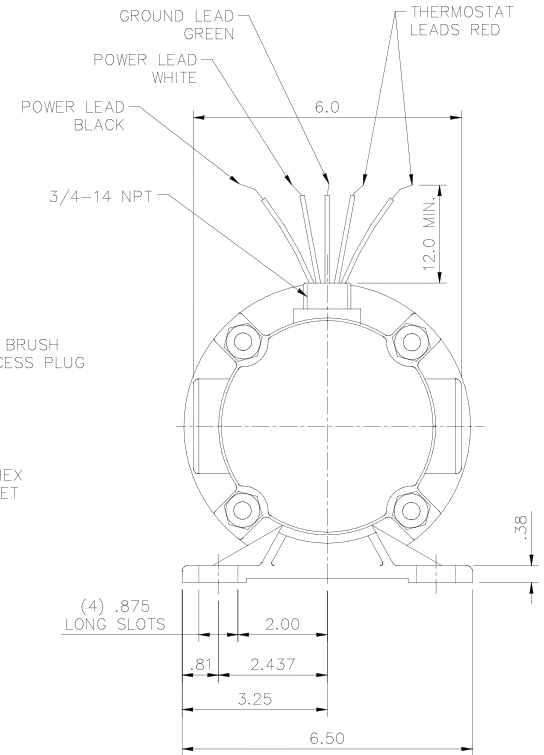
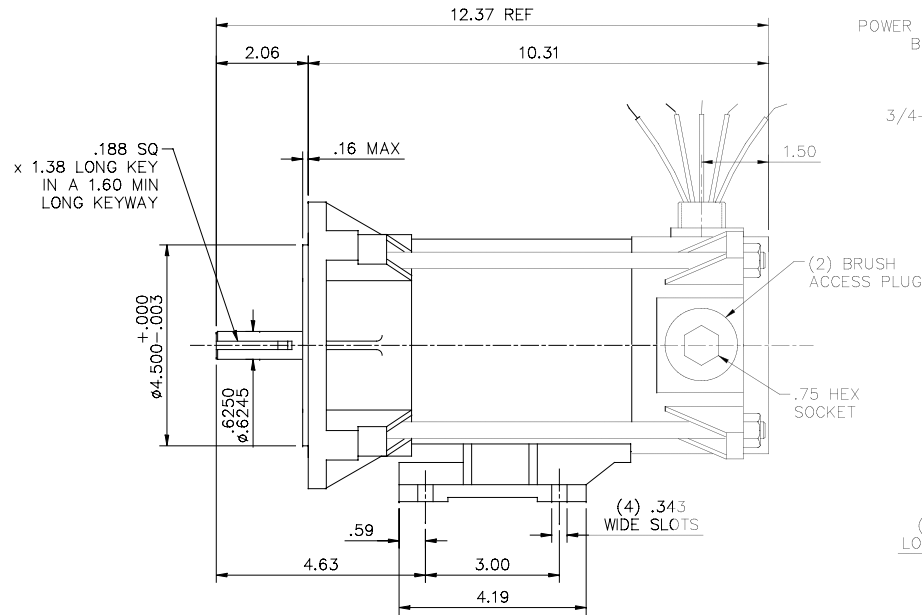
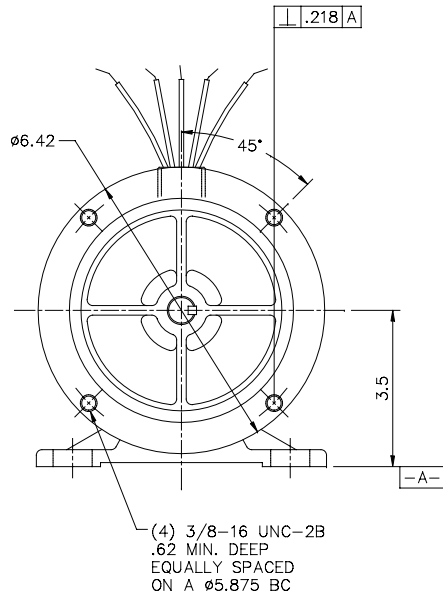
**Nameplate Specifications**

Output HP	<b>0.33 Hp</b>	Output KW	<b>0.25 kW</b>
Voltage	<b>12 V</b>	Current	<b>28.0 A</b>
Speed	<b>1750 rpm</b>	Service Factor	<b>1</b>
Duty	<b>Continuous</b>	Insulation Class	<b>H</b>
Frame	<b>S56C</b>	Enclosure	<b>Totally Enclosed Non Ventilated</b>
Overload Protector	<b>No</b>	Ambient Temperature	<b>40 °C</b>
UL	<b>Recognized</b>	CSA	<b>Y</b>
CE	<b>N</b>		

**Technical Specifications**

Rotation	<b>Reversible</b>	Mounting	<b>Rigid C base</b>
Overall Length	<b>12.37 in</b>	Shaft Diameter	<b>0.625 in</b>
Shaft Extension	<b>2.06 in</b>		
Outline Drawing	<b>612-0195-000</b>		

**This is an uncontrolled document once printed or downloaded and is subject to change without notice. Date Created: 10/15/2018**



VOLTAGE	12 VDC
HORSEPOWER	1/3
RPM	1750
AMPERES	28
CONTINUOUS DUTY	
PERMANENT MAGNET FIELD	
CLASS H INSULATION	
BALL BEARINGS	

- NOTES:  
 1) ALL DIMENSIONS REFERENCE UNLESS TOLERANCED.  
 2) UL LISTED (E56538) AND CSA CERTIFIED (LR43478).

ITEM No.	ITEM REV
-000	0

		TOLERANCES UNLESS SPECIFIED		LEESON		ELECTRIC MOTORS GEARMOTORS AND DRIVES		DRAWN IPG 10/22/15	
		DEC.	INCHES			TITLE		CHK	
		.X	±.1			OUTLINE		APPD	
		.XX	±.03			EXPLOSION PROOF DC MOTOR		SCALE 3=8	
		.XXX	±.005			MAT'L		REF 034446	
A RELEASED, ECO-0086281		IPG	10/22/15			FINISH		FMF 118054.00	
NO. REVISION		BY & DATE		CHK	ANG	CAD FILE 612-0195		PREV	
THIS DRAWING IN DESIGN AND DETAIL IS OUR PROPERTY AND MUST NOT BE USED EXCEPT IN CONNECTION WITH OUR WORK ALL RIGHTS OF DESIGN AND INVENTION ARE RESERVED THIS IS AN ELECTRONICALLY GENERATED DOCUMENT - DO NOT SCALE THIS PRINT				RFP		SIZE B		DRAWING NO. 612-0195	
				DIST				REV. A	