

# PRODUCT INFORMATION PACKET



Model No: C6D17EK5A

Catalog No: 118019.00

..3/4HP..1750RPM.S56C.TENV.180V...CONT.40C.1.0SF.RIGID C.C6D17EK5A.....DC EXPLOSION-  
PROOF.....

Explosion Proof



Regal and Leeson are trademarks of Regal Beloit Corporation or one of its affiliated companies.

©2018 Regal Beloit Corporation, All Rights Reserved. MC017097E





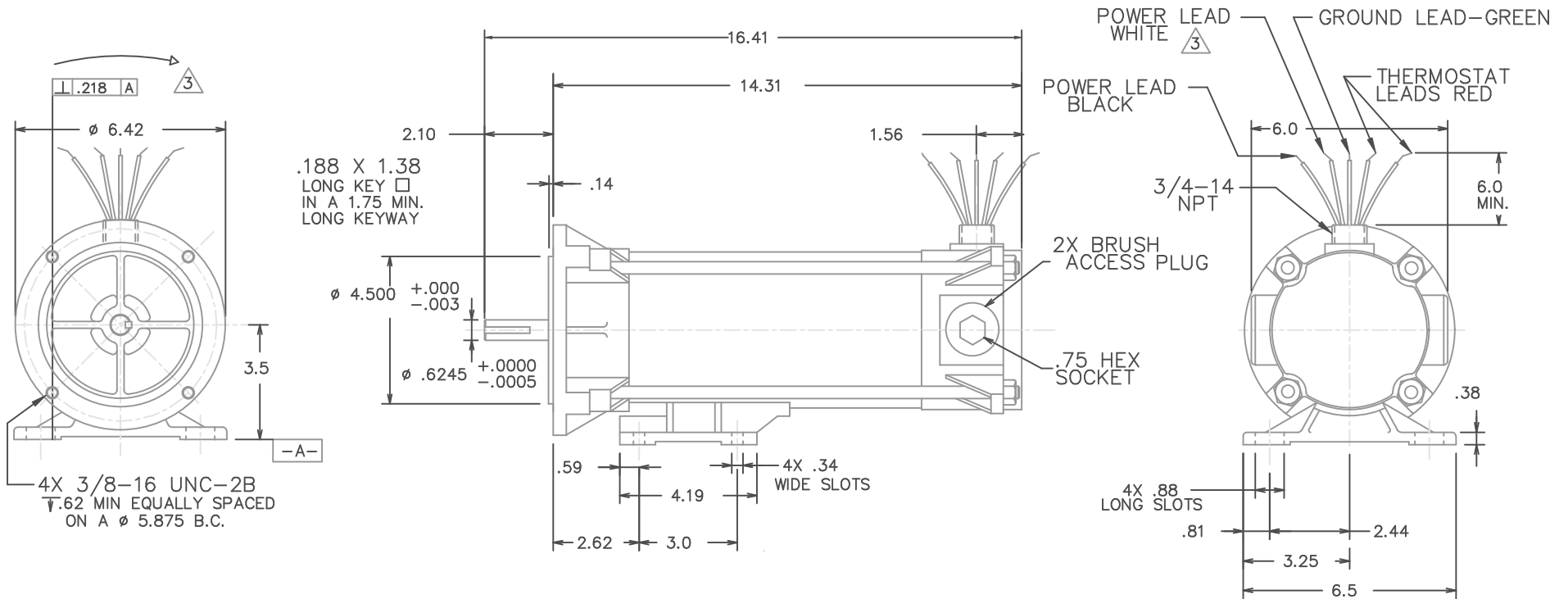
### Nameplate Specifications

Output HP	<b>0.75 Hp</b>	Output KW	<b>0.56 kW</b>
Voltage	<b>180 V</b>	Current	<b>3.3 A</b>
Speed	<b>1750 rpm</b>	Service Factor	<b>1</b>
Efficiency	<b>75.8 %</b>	Duty	<b>Continuous</b>
Insulation Class	<b>H</b>	Frame	<b>S56C</b>
Enclosure	<b>Totally Enclosed Non Ventilated</b>	Overload Protector	<b>Automatic</b>
Ambient Temperature	<b>40 °C</b>	UL	<b>Recognized</b>
CSA	<b>Y</b>	CE	<b>N</b>

### Technical Specifications

Rotation	<b>Reversible</b>	Mounting	<b>Rigid C base</b>
Overall Length	<b>16.41 in</b>	Shaft Diameter	<b>0.625 in</b>
Shaft Extension	<b>2.1 in</b>		
Outline Drawing	<b>034442</b>		

**This is an uncontrolled document once printed or downloaded and is subject to change without notice. Date Created: 10/15/2018**



VOLTAGE	180 VDC
HORSEPOWER	3/4
RPM	1750
AMPERES	3.3
CONTINUOUS DUTY	
PERMANENT MAGNET FIELD	
CLASS H INSULATION	
BALL BEARINGS	

NOTE:

1. ALL DIMENSIONS REFERENCE UNLESS TOLERANCED.
2. MOTOR PAINTED BLUE SATIN.
3. POSITIVE TO WHITE WILL CAUSE CW ROTATION.
4. UL LISTED(E75276) AND CSA CERTIFIED(LR 701080)

				TOLERANCES UNLESS OTHERWISE SPECIFIED		LEESON ELECTRIC CORPORATION			
				DECIMALS					
				.00	± .01	DRAWN	ADS 06/12/95	TITLE	OUTLINE 56 FRAME
				.000	± .005	CH'K'D.			EXPLOSION PROOF DC MOTOR
01	OVERALL LENGTH WAS 17.97	WMM	10/7/97	.0000	± .0005	APPR.		MAT'L.	
NO.	REVISION	BY	DATE	FRACTIONS	± 1/64	SCALE	NTS	FINISH	
THIS DRAWING IN DESIGN AND DETAIL IS OUR PROPERTY AND MUST NOT BE USED EXCEPT IN CONNECTION WITH OUR WORK ALL RIGHTS OF DESIGN AND INVENTION ARE RESERVED				ANGLES	± 1/2'	REF.	PS 5215	FINISH	
				INCH/MM		FMF	C6D17EK5A	FINISH	
								SIZE	DRAWING NO.
								B	034442