

PRODUCT INFORMATION PACKET



Model No: CI6D17FK1A
Catalog No: 118014.00
2,2KW.1750RPM.112MD.IP54.180V.CONT.40C.1.0SF.B3/B14.DC METRIC.CI6D17FK1A
Metric Motors



Regal and Leeson are trademarks of Regal Beloit Corporation or one of its affiliated companies.
©2018 Regal Beloit Corporation, All Rights Reserved. MC017097E





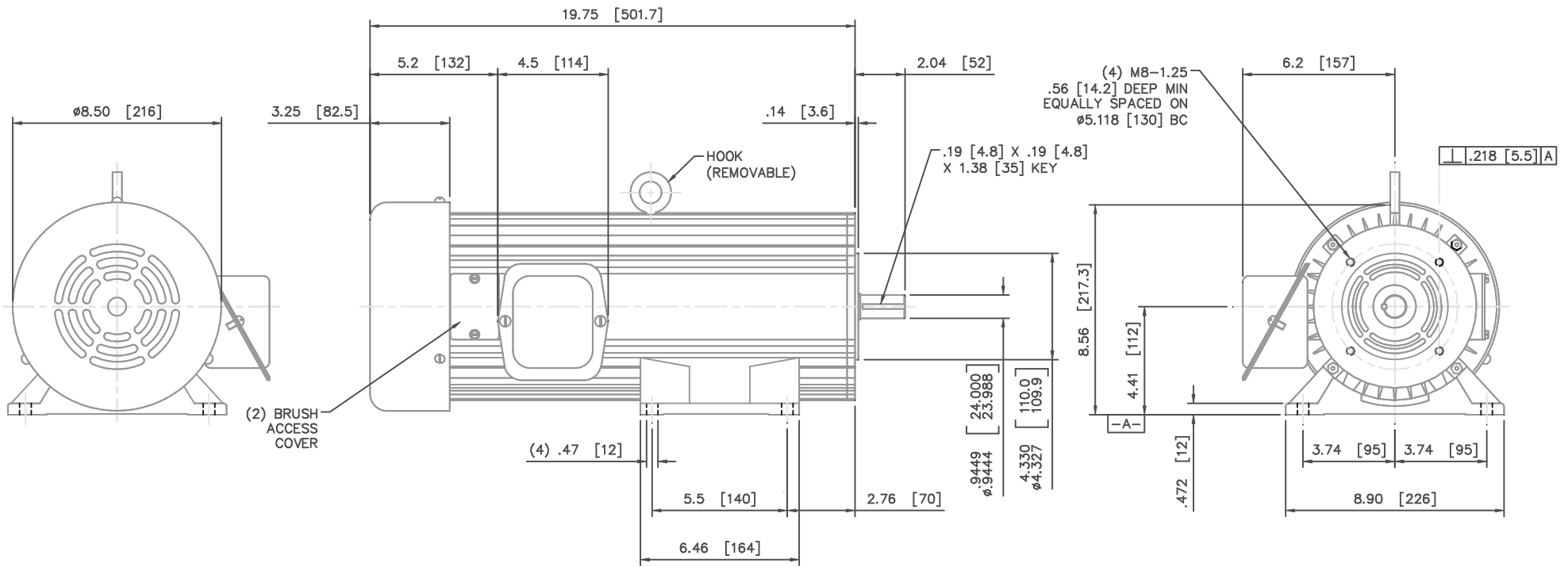
Nameplate Specifications

Output KW	2.2 kW	Voltage	180 V
Current	14.0 A	Speed	1750 rpm
Service Factor	1	Efficiency	88.8 %
Duty	S1	Insulation Class	H
Frame	112MD	Enclosure	IP54
Overload Protector	No	Ambient Temperature	40 °C
UL	Recognized	CSA	Y
CE	N		

Technical Specifications

Rotation	Reversible	Mounting	B3/B14
Overall Length	19.75 in	Shaft Diameter	0.937 in
Shaft Extension	2.04 in		
Outline Drawing	034374		

This is an uncontrolled document once printed or downloaded and is subject to change without notice. Date Created: 10/15/2018



VOLTAGE	180 DC
HORSEPOWER	3.0
RPM	1750
AMPERES	14.0
CONTINUOUS DUTY	
PERMANENT MAGNET FIELD	
CLASS H INSULATION	
BALL BEARINGS	

NOTES:
 1) ALL DIMENSIONS REFERENCE UNLESS TOLERANCED.
 2) ALL DIMENSIONS IN [] ARE METRIC (MILLIMETERS).

		TOLERANCES UNLESS SPECIFIED		LEESON ELECTRIC MOTORS GEARMOTORS AND DRIVES		DRAWN			
		DEC.	INCHES			MMG 10/31/94			
01	REDRAWN ON CAD FROM PDF FILE, ALL DIMS SHOWN	.X	±.1	IPG	±.03	CHK			
	ARE TO SCALE BUT DON'T TRUST OTHER GEOMETRY PER	.XX	±.005			APPD			
	ECR 88469	.XXX	±.0005			SCALE 1=4			
		.XXXX	±.0005			REF			
NO.	REVISION	CHK	ANG	±1/2'		FMF			
		BY & DATE				PREV			
THIS DRAWING IN DESIGN AND DETAIL IS OUR PROPERTY AND MUST NOT BE USED EXCEPT IN CONNECTION WITH OUR WORK ALL RIGHTS OF DESIGN AND INVENTION ARE RESERVED THIS IS AN ELECTRONICALLY GENERATED DOCUMENT - DO NOT SCALE THIS PRINT				RFP	CAD FILE	034374	SIZE	DRAWING NO.	REV.
				DIST			B	034374.00	01