

PRODUCT INFORMATION PACKET



Model No: CI6D34FT2B

Catalog No: 118010.00

..2.2KW-3HP..3000RPM.90L.IP54.180V...S1.40C.1,0SF.SPECIAL.CI6D34FT2B.....DC METRIC.....

Metric Motors



Regal and Leeson are trademarks of Regal Beloit Corporation or one of its affiliated companies.

©2018 Regal Beloit Corporation, All Rights Reserved. MC017097E





Nameplate Specifications

Output KW	3.0 kW	Voltage	180 V
Current	20.0 A	Speed	3000 rpm
Service Factor	1	Efficiency	77.8 %
Duty	S1	Insulation Class	H
Frame	90L	Enclosure	IP54
Overload Protector	No	Ambient Temperature	40 °C
Drive End Bearing Size	6205	Opp Drive End Bearing Size	6203
UL	Recognized	CSA	Y
CE	Y		

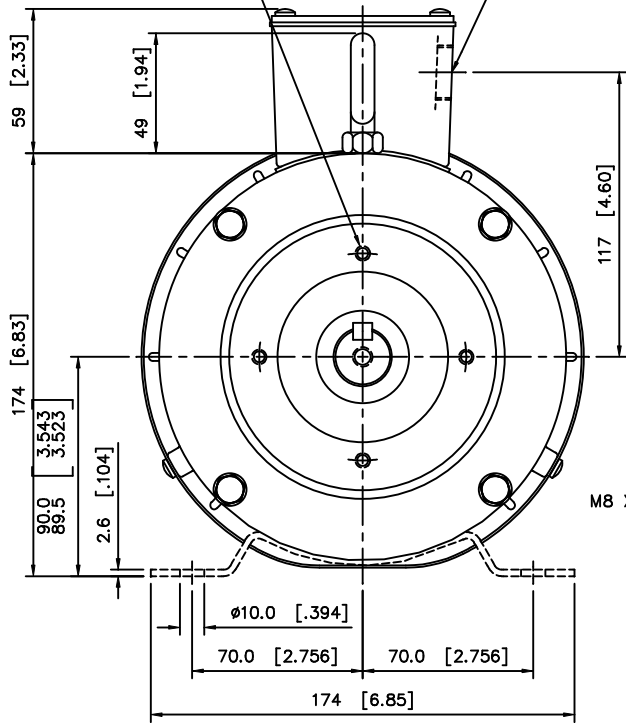
Technical Specifications

Rotation	Reversible	Mounting	Special
Overall Length	19.47 in	Frame Length	9.62 in
Shaft Diameter	0.937 in	Shaft Extension	2.43 in
Outline Drawing	034892-H90L		

This is an uncontrolled document once printed or downloaded and is subject to change without notice. Date Created: 10/15/2018

(4) M6X1 TAP .50 DEEP
ON A Ø85.0 [3.346] BC

PG-16 THREADED
CONDUIT HOLE



M8 X 1.25 TAP 19 [.75] DEEP

BMM X 7MM X 35MM
METRIC KEY

50.0 [1.968]

36 [1.41]
KEYWAY

2.756 [2.756]

Ø69.98

24.016 [9455]

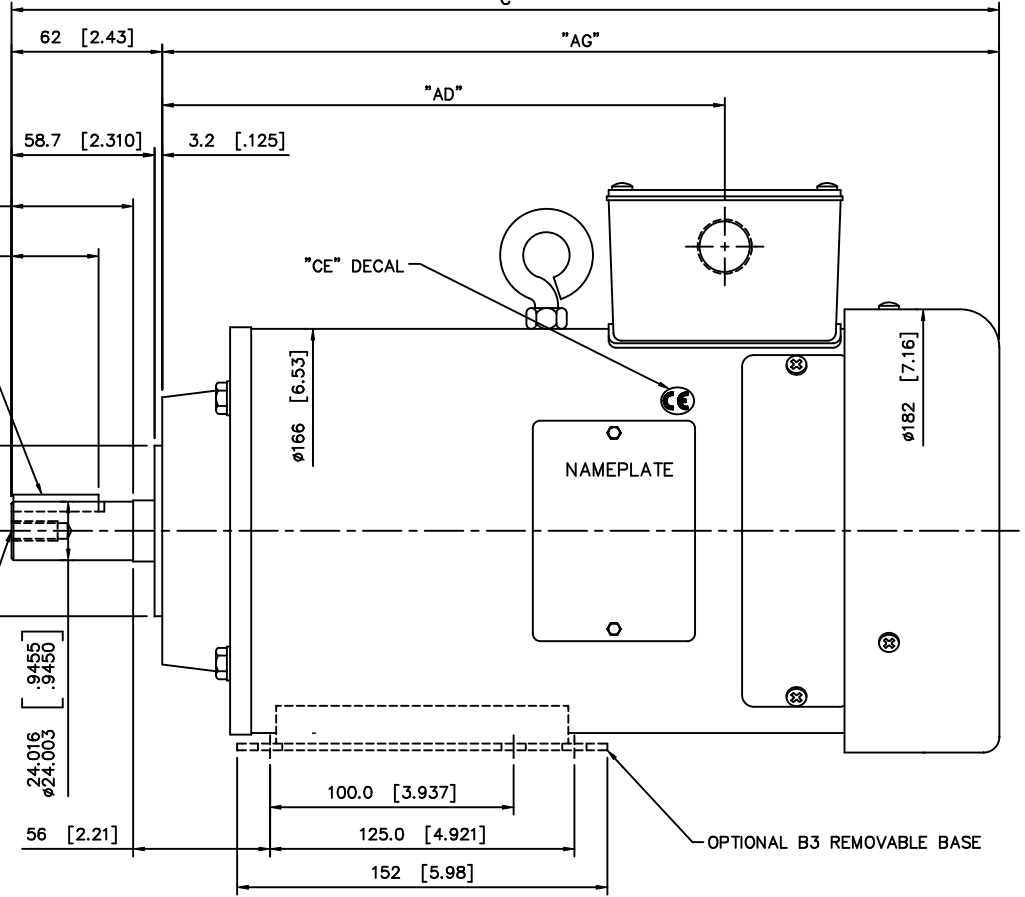
Ø24.003

56 [2.21]

"C"

"AG"

"AD"



NOTES:

- 1) MAXIMUM FACE RUNOUT TO BE .004 TIR
- 2) MAXIMUM PILOT ECCENTRICITY TO BE .004 TIR
- 3) PERMISSIBLE SHAFT RUNOUT TO BE .002 TIR
- 4) BUNA-N GASKETS THROUGHOUT
- 5) OIL SEAL ON SHAFT

FRAME	"C"	"AG"	"AD"
D90L	443.7 [17.47]	381.7 [15.03]	269.0 [10.59]
E90L	456.4 [17.97]	394.4 [15.53]	281.7 [11.09]
F90L	469.1 [18.47]	407.1 [16.03]	294.4 [11.59]
G90L	481.8 [18.97]	419.8 [16.53]	307.1 [12.09]
H90L	494.5 [19.47]	432.5 [17.03]	319.8 [12.59]
J90L	507.2 [19.97]	445.2 [17.53]	332.5 [13.09]
K90L	519.9 [20.47]	457.9 [18.03]	345.2 [13.59]
L90L	532.6 [20.97]	470.6 [18.53]	357.9 [14.09]
M90L	545.3 [21.47]	483.3 [19.03]	370.6 [14.59]
N90L	558.0 [21.97]	496.0 [19.53]	383.3 [15.09]

			TOLERANCES UNLESS OTHERWISE SPECIFIED			LEESON ELECTRIC CORPORATION					
			DEC.	INCHES	METRIC						
			.X	±.1	±2.5	DRAWN CJK 2/26/01 TITLE OUTLINE					
01 REDRAWN WITH DUAL DIMENSIONING AND ADDED			SAD 7/16/01	CJK	.XX ±.03 ±.75	APPR. IEC 90 FRAME DC MOTOR					
CE DECAL TO MOTOR ECR 78319					.XXX ±.005 ±.127	R.F.P. MAT'L.					
NO. REVISION			BY & DATE	CHK'D.	.XXXX ±.0005 ±.0127	SCALE 1=2					
THIS DRAWING IN DESIGN AND DETAIL IS OUR PROPERTY AND MUST NOT BE USED EXCEPT IN CONNECTION WITH OUR WORK ALL RIGHTS OF DESIGN AND INVENTION ARE RESERVED THIS IS AN ELECTRONICALLY GENERATED DOCUMENT - DO NOT SCALE THIS PRINT						FRACTIONS	±1/64	REF. 033999	FINISH STOCK	REV. 01	DRAWING NO. 034892
						ANGLES	±1/2°	FMF			