

# PRODUCT INFORMATION PACKET



Model No: CI6D17FT2B

Catalog No: 118008.00

..1.5KW-2HP..1800RPM.90L.IP54.180V...S1.40C.1,0SF.SPECIAL.CI6D17FT2B.....DC METRIC.....

Metric Motors



Regal and Leeson are trademarks of Regal Beloit Corporation or one of its affiliated companies.

©2018 Regal Beloit Corporation, All Rights Reserved. MC017097E





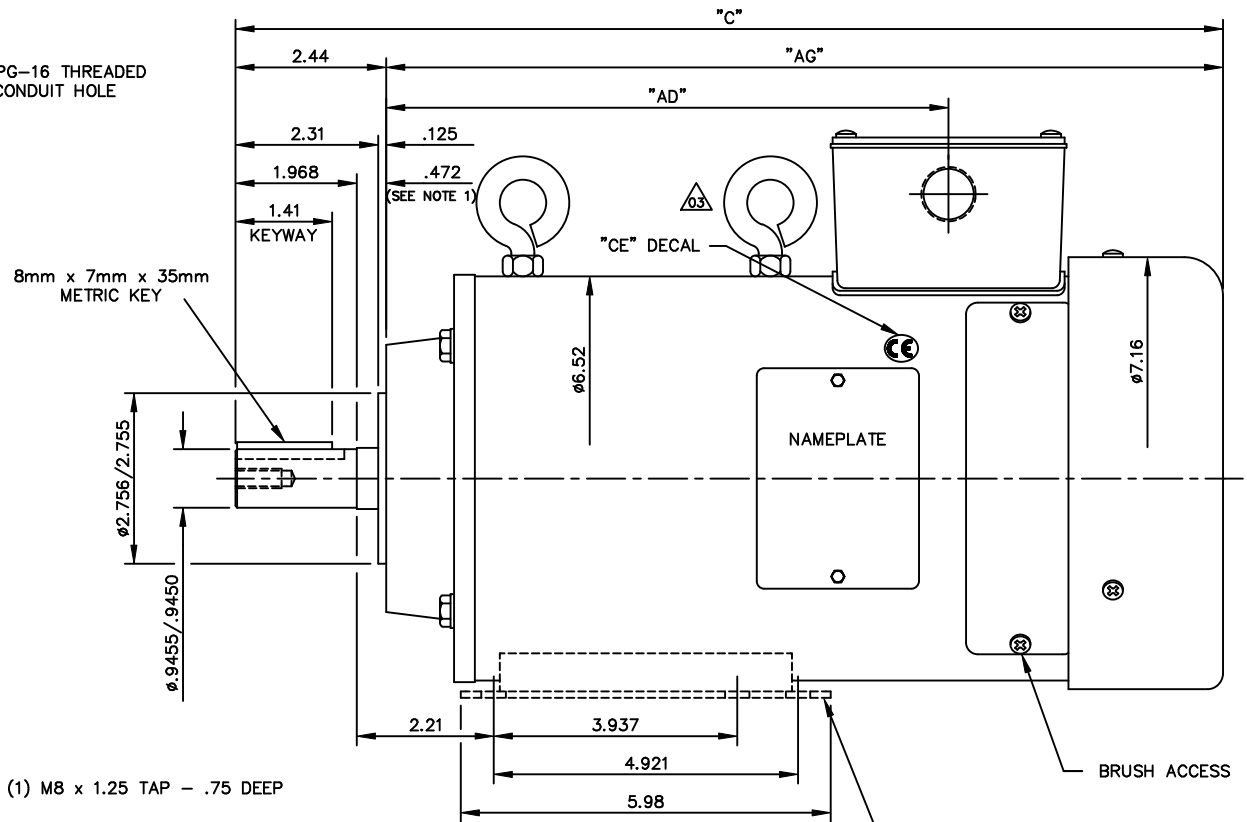
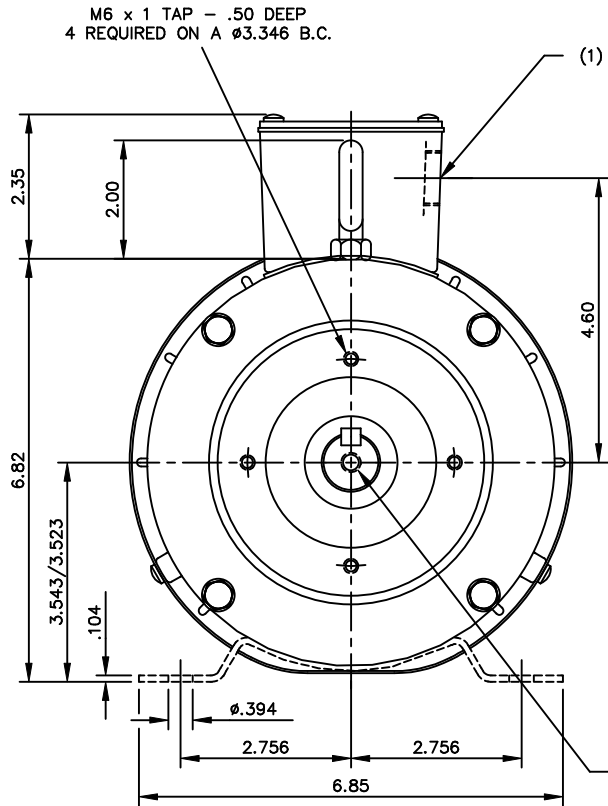
### Nameplate Specifications

Output KW	2.2 kW	Voltage	180 V
Current	13.8 A	Speed	1800 rpm
Service Factor	1	Efficiency	78.8 %
Duty	S1	Insulation Class	H
Frame	90L	Enclosure	IP54
Overload Protector	No	Ambient Temperature	40 °C
Drive End Bearing Size	6205	Opp Drive End Bearing Size	6203
UL	Recognized	CSA	Y
CE	Y		

### Technical Specifications

Rotation	Reversible	Mounting	Special
Overall Length	20.47 in	Frame Length	14.63 in
Shaft Diameter	0.937 in	Shaft Extension	2.44 in
Outline Drawing	033999-K90L		

This is an uncontrolled document once printed or downloaded and is subject to change without notice. Date Created: 10/15/2018



FRAME	"C"	"AG"	"AD"	FRAME	"C"	"AG"	"AD"
D90L	17.47	15.03	10.59	J90L	19.97	17.53	13.09
E90L	17.97	15.53	11.09	K90L	20.47	18.03	13.59
F90L	18.47	16.03	11.59	L90L	20.97	18.53	14.09
G90L	18.97	16.53	12.09	M90L	21.47	19.03	14.59
H90L	19.47	17.03	12.59	N90L	21.97	19.53	15.09

NOTES:

- 1) DIMENSION IS SPACE PROVIDED FOR A BOLT-ON B5 OR B14 ADAPTER KIT FOR THE IEC 90 FRAME.
- 2) MAXIMUM FACE RUNOUT TO BE .004 T.I.R.
- 3) MAXIMUM PILOT ECCENTRICITY TO BE .004 T.I.R.
- 4) PERMISSIBLE SHAFT RUNOUT TO BE .002 T.I.R.
- 5) BUNA-N GASKETS THROUGHOUT.
- 6) OIL SEAL ON SHAFT.

				TOLERANCES UNLESS OTHERWISE SPECIFIED			<b>LEESON ELECTRIC CORPORATION</b>				
04	ADDED "CE" DECAL, ECR 73095	RLW 7/17/01	IPG	DEC.	INCHES	METRIC	DRAWN	PG 5/13/92	TITLE		
03	ADDED LIFTING HOOKS PER ECR56242 EFF.	MLS 9/17/96	9/20	.X	±.1	±2.5	APPR.	BJB 7/1/92	OUTLINE		
02	REVISED BRUSH COVER PER ECR54641	JRA 3/25/96		.XX	±.03	±.75			IEC 90 FRAME - D.C.		
01	EXT. DIA CHANGED PER DIN SPECS.	PWW 8/04/93		.XXX	±.005	±.127	R.F.P.		MAT'L.		
NO.	REVISION	BY & DATE	CHK'D.	.XXXX	±.0005	±.0127	SCALE	1=2			
THIS DRAWING IN DESIGN AND DETAIL IS OUR PROPERTY AND MUST NOT BE USED EXCEPT IN CONNECTION WITH OUR WORK ALL RIGHTS OF DESIGN AND INVENTION ARE RESERVED THIS IS AN ELECTRONICALLY GENERATED DOCUMENT - DO NOT SCALE THIS PRINT				FRACTIONS	±1/64	REF.	034051	FINISH	STD. IEC	REV.	DRAWING NO.
				ANGLES	±1/2°	FMF	C18D17FT1			04	033999-00

```
ERROR: syntaxerror  
OFFENDING COMMAND: --nostringval--
```

```
STACK:
```

```
/RS  
-dictionary-  
/Pscript_WinNT_Compact  
-dictionary-
```