

PRODUCT INFORMATION PACKET



Model No: C6T17DK35A

Catalog No: 117876.00

117876.00..1 1/2HP..1725RPM.56J.DP.230/460V.3PH.60HZ.CONT.40C.1.15SF.RIGID-C.C6T17DK35.....JET
PUMP.NONE.....

Jet Pump



Regal and Leeson are trademarks of Regal Beloit Corporation or one of its affiliated companies.

©2018 Regal Beloit Corporation, All Rights Reserved. MC017097E





Nameplate Specifications

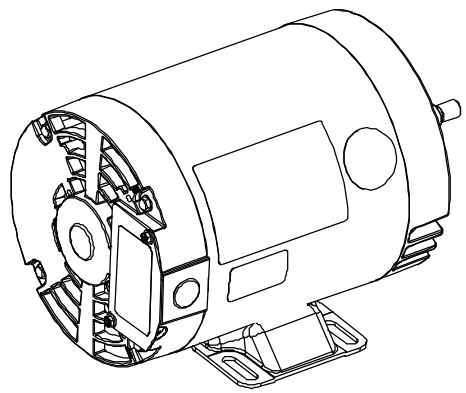
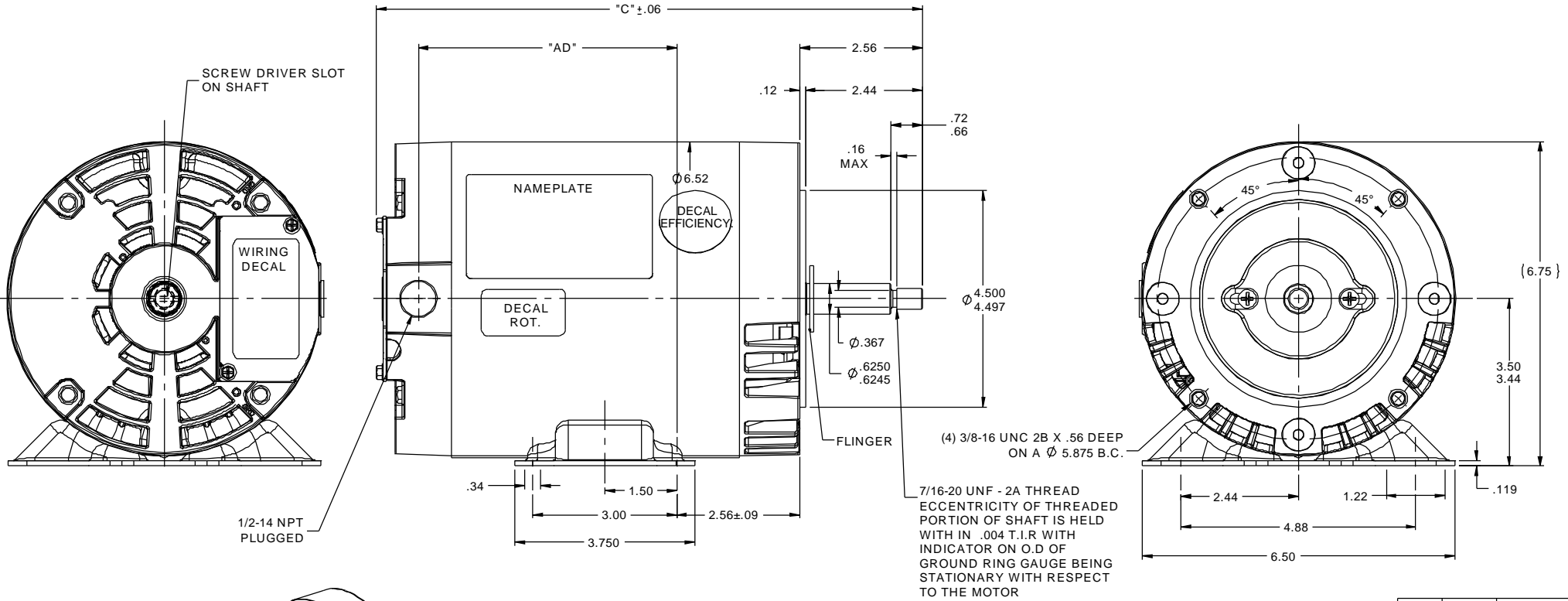
Output HP	1.50 Hp	Output KW	1.1 kW
Frequency	60 Hz	Voltage	230/460 V
Current	5.6/2.8 A	Speed	1725 rpm
Service Factor	1.15	Phase	3
Efficiency	78.5 %	Duty	Continuous
Insulation Class	F	Design Code	B
KVA Code	K	Frame	56J
Enclosure	Drip Proof	Overload Protector	No
Ambient Temperature	40 °C	Drive End Bearing Size	6203
Opp Drive End Bearing Size	6203	UL	Recognized
CSA	Y	CE	N
IP Code	22		

Technical Specifications

Electrical Type	Squirrel Cage Induction Run	Starting Method	Across The Line
Poles	4	Rotation	Reversible
Mounting	Rigid base	Motor Orientation	HORIZONTAL
Drive End Bearing	BALL	Opp Drive End Bearing	BALL
Frame Material	Rolled Steel	Shaft Type	J
Overall Length	11.37 in	Frame Length	6.00 in
Shaft Diameter	0.625 in	Shaft Extension	2.44 in
Assembly/Box Mounting	F1 ONLY		
Outline Drawing	029043-600	Connection Diagram	005010.01

This is an uncontrolled document once printed or downloaded and is subject to change without notice. Date Created: 10/15/2018

RBC PROPRIETARY AND CONFIDENTIAL INFORMATION
 This document is the property of REGAL BELOIT CORPORATION ("RBC") including its subsidiaries and divisions and contains proprietary information of RBC. This document is loaned on the express condition that neither the information contained therein shall be disclosed to others without the express written consent of RBC, and that the information shall be used by the recipient only as approved expressly by RBC. This document shall be returned to RBC upon its request. This document may be subject to certain restrictions under U.S. export control laws and regulations.



NOTES:
 STAINLESS STEEL SHAFT

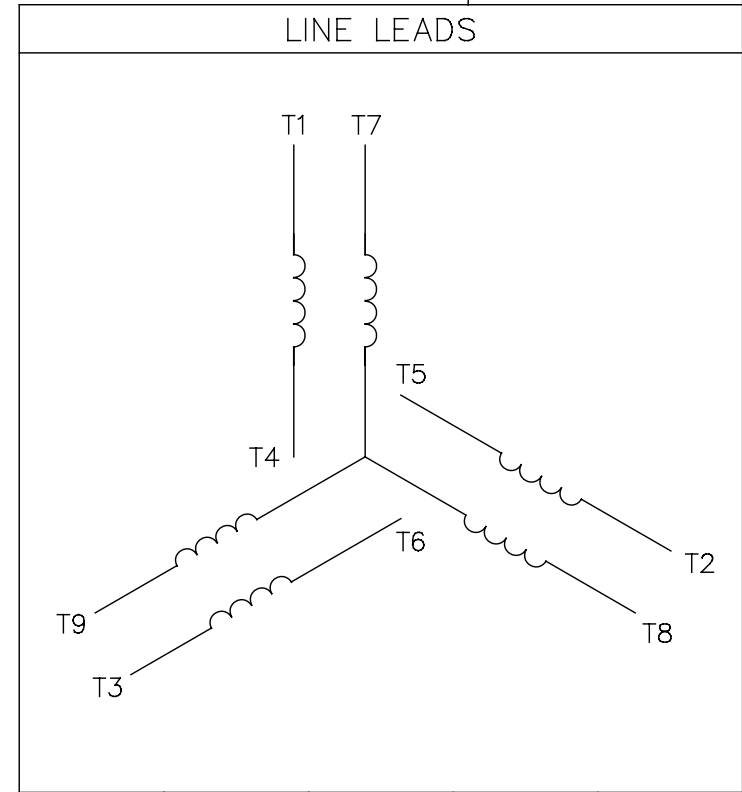
MAXIMUM FACE RUNOUT TO BE .004 T.I.R.
 MAXIMUM PILOT ECCENTRICITY TO BE .004 T.I.R.
 PERMISSIBLE SHAFT RUNOUT TO BE .002 T.I.R.

DASH NO.	"C"	"AD"
550	10.87	4.88
600	11.37	5.38
650	11.87	5.88
700	12.37	6.38
750	12.87	6.88

TOLERANCES UNLESS SPECIFIED		DEC INCHES			DRAWN VS 03/20/13	
NO	REVISION	BY	DATE		CHK	APPR
				TITLE OUTLINE - 56J FRAME DRIP PROOF - "C" FACE MAT'L FINISH	SCALE 1:2	
					REF 028541	
					FMF 117876.00	
					PAGE OF	
					REV	
				NETWORK FILE NAME 029043	SIZE B	DRAWING NO 029043

005010-01

VIEW FROM OUTSIDE OF MOTOR AT SWITCH END.



VOLTAGE	L1	L2	L3	JOIN & INSULATE
HIGH	T1	T2	T3	(T4,T7) (T5,T8) (T6,T9)
LOW	T1,T7	T2,T8	T3,T9	T4,T5,T6

				TOLERANCES UNLESS SPECIFIED		Regal Beloit America, Inc.		DRAWN RDW 04/12/02			
				DEC.	INCHES			CHK			
				.X	±.1			APPD			
				.XX	±.01			SCALE 1=1			
				.XXX	±.005	TITLE		REF FIG.2-51			
A	UPDATED TO REGAL LOGO	SAJ 06/26/15	AJY	.XXXX	±.0005	MAT'L.		FMF			
NO.	REVISION	BY & DATE	CHK	ANG	±1/2"	FINISH		PREV			
THIS DRAWING IN DESIGN AND DETAIL IS OUR PROPERTY AND MUST NOT BE USED EXCEPT IN CONNECTION WITH OUR WORK ALL RIGHTS OF DESIGN AND INVENTION ARE RESERVED THIS IS AN ELECTRONICALLY GENERATED DOCUMENT - DO NOT SCALE THIS PRINT				RFP	04/12/02	CAD FILE		00501001	SIZE	DRAWING NO.	REV.
				DIST		BRF-NLV		A	005010-01	A	



P.O. BOX 8003
WAUSAU, WI 54401-8003
PH. 715-675-3311

DATA VOLTS: 460

CERTIFICATION DATA SHEET

CONN. DIAGRAM: 005010.01
OUTLINE: 029043-600
WINDING: T634196

CAT #: 117876.00

DR 3

TYPICAL MOTOR PERFORMANCE DATA

HP	KW	SYNC RPM	FL RPM	FRAME	ENCLOSURE	TYPE	KVA CODE	DESIGN						
1.5	1.1	1800	1750	56J	DP	NA	K	B						
PH	HZ	VOLTS	AMPS	START TYPE	DUTY	INSL	S.F.	AMB	ELEV.					
3	60	230/460	5.6/2.8	ACROSS THE LINE	CONT	F	1.15	40	3300					
F.L. EFF	F.L. PF	78.5	64.0	3/4 LD EFF	3/4 LD PF	74.7	56.7	1/2 LD EFF	1/2 LD PF	68.8	45.3	0.0	ELECT. TYPE	SO CAGE IND RUN
F.L. TORQUE	LR AMPS @ 460 V	16.8	13.5	LB-FT	300%	17.5	LB-FT	B.D. TORQUE	F.L. RISE (°C)					
4.5	LB-FT	POWER	ROTOR WK²	MAX. LOAD WK²	SAFE STALL TIME	STARTS/HOUR	MOTOR WGT							
0	DBA	9	DBA	0.09	LB-FT²	0.1	LB-FT²	0	SEC.	0		0	LB.	

*** SUPPLEMENTAL INFORMATION ***

DE BRACKET TYPE	ODE BRACKET TYPE	MOUNT TYPE	MOTOR ORIENTATION	SEVERE DUTY	HAZARDOUS LOCATION	DRIP COVER	SCREENS	PAINT
C-FACE	STANDARD	RIGID	HORIZONTAL	NO	NONE	NO	NONE	JE-LEESON/ENAM
BEARINGS DE	ODE	GREASE	SHAFT TYPE	SPECIAL DE	SPECIAL ODE	SHAFT MATERIAL	FRAME MATERIAL	
BALL 6203	BALL 6203	POLYREX EM	JET PUMP	NONE	NONE	303 STAINLESS (C-501)	ROLLED STEEL	
THERMOSTATS	PROTECTORS	WDG RTD's	BRG RTD's	THERMISTORS	CONTROL	SPACE HEATERS		
NONE	NOT	NONE	NONE	NONE	FALSE	NA		
R1 (ohms/ph)	R2 (ohms/ph)	X1 (ohms/ph)	X2 (ohms/ph)	Xm (ohms/ph)	VIBRATION (in/sec)	FLOAT ODE		
0	0	0	0	0	0.080			

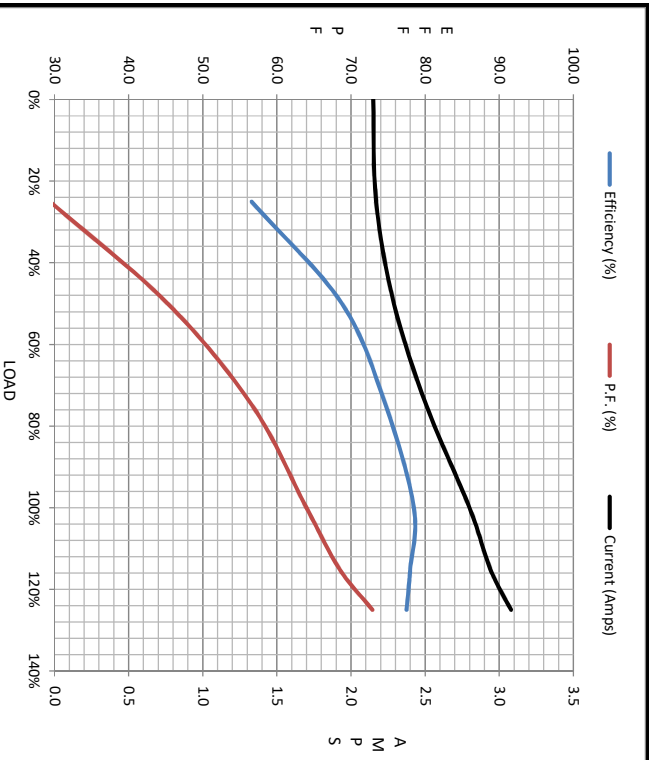
* NOT TESTED		INVERTER TORQUE: NONE	
		INV. HP SPEED RANGE: NONE	
		ENCODER: NONE	
		BRAKE: NONE	
		FT-LB: NONE	NONE
		VOLTAGE: NONE	NONE
		UL: Y-(LEESON UL REC)	

DATE:	2/1/2018	HZ:	
-------	----------	-----	--



Motor Load Data								
Load	0%	25%	50%	75%	100%	115%	125%	LR
Current (Amps)	2.15	2.17	2.29	2.51	2.80	2.94	3.1	16.8
Torque (ft-lb)	0.00	1.13	2.25	3.4	4.5	5.1	5.6	13.5
RPM	1800	1787	1774	1762	1750	1744	1734	0
Efficiency (%)		56.6	68.8	74.7	78.5	78.0	77.5	
P.F. (%)		29.4	45.3	56.7	64.0	68.5	72.9	0.0

Motor Speed Data						Information Block																									
LR	Pull-Up	BD	Rated	Idle		HP	Sync. RPM	Frame	Enclosure	Construction	Voltage	Frequency	Design	LR Code letter	Service Factor	Temp Rise @ FL	Duty	Ambient	Elevation	Rotor/Shaft wk ²	Ref Wdg	Sound Pressure @ 1M	VFD Rating	Outline Dwg	Conn. Diag	Additional Specifications:	R1	R2	X1	X2	Xm
0	900	1656	1750	1800		1.5	1800	140	DP	NA	230/460	60	B	K	1.15	60	CONT	40	1,000	0.09	T634196 DR	0	NONE	029043-600	005010.01		0.0000	0.0000	0.0000	0.0000	0.0000



EQUIV CKT (OHMS / PHASE)					
R1	R2	X1	X2	Xm	
0.0000	0.0000	0.0000	0.0000	0.0000	

