

PRODUCT INFORMATION PACKET



Model No: C6T17DK34A

Catalog No: 117875.00

117875.00..1HP..1725RPM.56J.DP.230/460V.3PH.60HZ.CONT.40C.1.15SF.RIGID-C.C6T17DK34.....JET
PUMP.NONE.....

Jet Pump



Regal and Leeson are trademarks of Regal Beloit Corporation or one of its affiliated companies.

©2018 Regal Beloit Corporation, All Rights Reserved. MC017097E



Product Information Packet: Model No: C6T17DK34A, Catalog No:117875.00
 117875.00..1HP..1725RPM.56J.DP.230/460V.3PH.60HZ.CONT.40C.1.15SF.RIGID-C.C6T17DK34.....JET
 PUMP.NONE.....



Nameplate Specifications

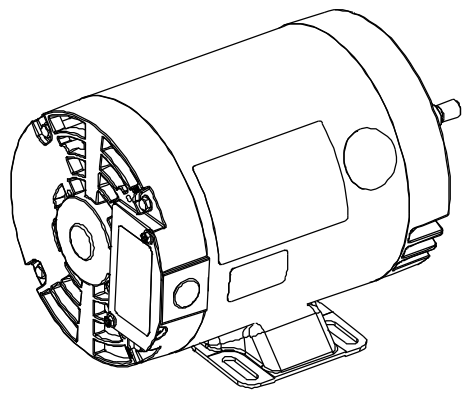
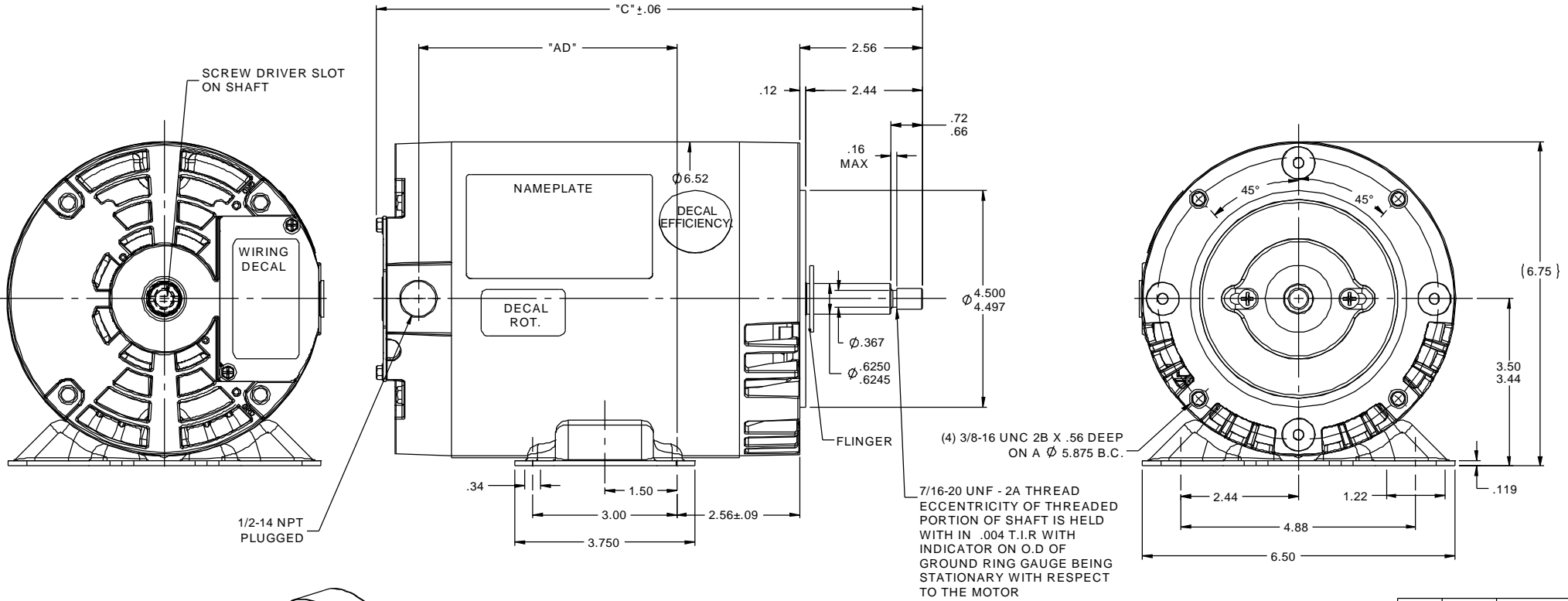
Output HP	1 Hp	Output KW	0.75 kW
Frequency	60 Hz	Voltage	208-230/460 V
Current	4.2/2.1 A	Speed	1725 rpm
Service Factor	1.15	Phase	3
Efficiency	78.5 %	Duty	Continuous
Insulation Class	F	Design Code	B
KVA Code	K	Frame	56J
Enclosure	Drip Proof	Overload Protector	No
Ambient Temperature	40 °C	Drive End Bearing Size	6203
Opp Drive End Bearing Size	6203	UL	Recognized
CSA	Y	CE	N
IP Code	22		

Technical Specifications

Electrical Type	Squirrel Cage Induction Run	Starting Method	Across The Line
Poles	4	Rotation	Reversible
Mounting	Rigid base	Motor Orientation	HORIZONTAL
Drive End Bearing	BALL	Opp Drive End Bearing	BALL
Frame Material	Rolled Steel	Shaft Type	J
Overall Length	10.87 in	Frame Length	5.50 in
Shaft Diameter	0.625 in	Shaft Extension	2.44 in
Assembly/Box Mounting	F1 ONLY		
Outline Drawing	029043-550	Connection Diagram	005010.01

This is an uncontrolled document once printed or downloaded and is subject to change without notice. Date Created: 10/15/2018

RBC PROPRIETARY AND CONFIDENTIAL INFORMATION
 This document is the property of REGAL BELOIT CORPORATION ("RBC") including its subsidiaries and divisions and contains proprietary information of RBC. This document is loaned on the express condition that neither the information contained therein shall be disclosed to others without the express written consent of RBC, and that the information shall be used by the recipient only as approved expressly by RBC. This document shall be returned to RBC upon its request. This document may be subject to certain restrictions under U.S. export control laws and regulations.



NOTES:
 STAINLESS STEEL SHAFT

MAXIMUM FACE RUNOUT TO BE .004 T.I.R.
 MAXIMUM PILOT ECCENTRICITY TO BE .004 T.I.R.
 PERMISSIBLE SHAFT RUNOUT TO BE .002 T.I.R.

DASH NO.	"C"	"AD"
550	10.87	4.88
600	11.37	5.38
650	11.87	5.88
700	12.37	6.38
750	12.87	6.88

TOLERANCES UNLESS SPECIFIED		DEC INCHES		TITLE	FINISH	MATERIAL	DRAWN	DATE	
NO	REVISION	BY	DATE						
				OUTLINE - 56J FRAME DRIP PROOF - "C" FACE	PREV	MAT'L	VS 03/20/13	CHK	
				SCALE	1:2	REF	028541	FMF	117876.00
				PAGE	OF				
THIRD ANGLE PROJECTION							SIZE	DRAWING NO	REV
NETWORK FILE NAME 029043							B	029043	

005010-01

VIEW FROM OUTSIDE OF MOTOR AT SWITCH END.



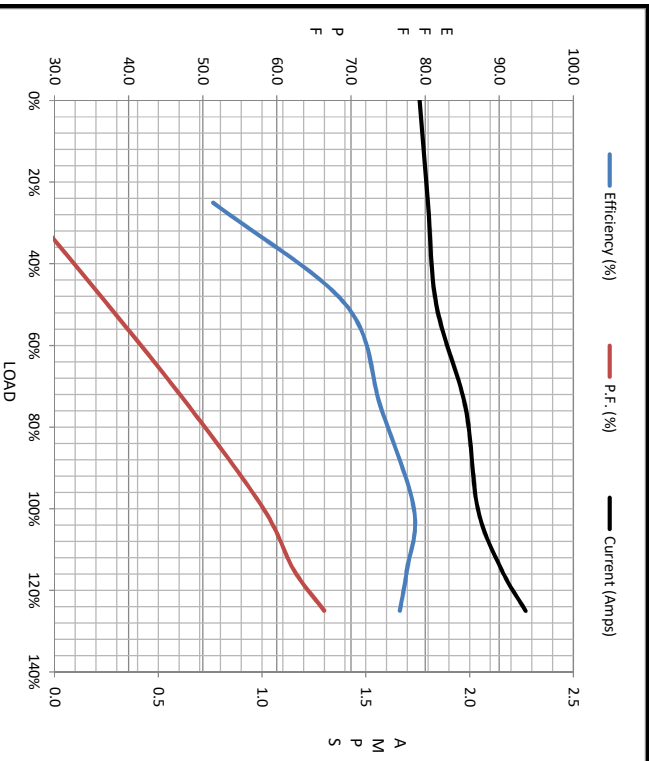
VOLTAGE	L1	L2	L3	JOIN & INSULATE
HIGH	T1	T2	T3	(T4,T7) (T5,T8) (T6,T9)
LOW	T1,T7	T2,T8	T3,T9	T4,T5,T6

				TOLERANCES UNLESS SPECIFIED		REGAL ™ Regal Beloit America, Inc.		DRAWN RDW 04/12/02		
				DEC.	INCHES			CHK		
				.X	±.1			APPD		
				.XX	±.01			SCALE 1=1		
				.XXX	±.005	TITLE		REF FIG.2-51		
A	UPDATED TO REGAL LOGO	SAJ 06/26/15	AJY	.XXXX	±.0005	MAT'L.		FMF		
NO.	REVISION	BY & DATE	CHK	ANG	±1/2"	FINISH		PREV		
THIS DRAWING IN DESIGN AND DETAIL IS OUR PROPERTY AND MUST NOT BE USED EXCEPT IN CONNECTION WITH OUR WORK ALL RIGHTS OF DESIGN AND INVENTION ARE RESERVED THIS IS AN ELECTRONICALLY GENERATED DOCUMENT - DO NOT SCALE THIS PRINT				RFP	04/12/02	CAD FILE	00501001	SIZE	DRAWING NO.	REV.
				DIST	BRF-NLV			A	005010-01	A



Motor Load Data									
Load	0%	25%	50%	75%	100%	115%	125%	LR	
Current (Amps)	1.76	1.80	1.84	1.98	2.04	2.16	2.27	11.0	
Torque (ft-lb)	0.00	0.75	1.50	2.25	3.0	3.4	3.8	9.5	
RPM	1800	1786	1773	1759	1743	1.736	1726	0	
Efficiency (%)		51.4	69.3	74.0	78.5	77.6	76.6		
P.F. (%)	12.8	25.8	37.2	48.2	58.2	62.3	66.4	0.0	

Motor Speed Data						Information Block																										
	LR	Pull-Up	BD	Rated	Idle	HP	Sync. RPM	Frame	Enclosure	Construction	Voltage	Frequency	Design	LR Code letter	Service Factor	Temp Rise @ FL	Duty	Ambient	Elevation	Rotor/Shaft wk ²	Ref Wdg	Sound Pressure @ 1M	VFD Rating	Outline Dwg	Conn. Diag	Additional Specifications:	R1	R2	X1	X2	Xm	
Speed (RPM)	0	400	1200	1743	1800	1.0	1800	140	DP	NA	208-230/460	60	B	K	1.15	60	CONT	40	1,000	0.06	T634195 DR	999	NONE	029043-550	005010.01		0.0000	0.0000	0.0000	0.0000	0.0000	
Current (Amps)	11.0	10.1	6.6	2.04	1.76																											
Torque (ft-lb)	9.5	9.4	11.8	3.0	0.00																											



EQUIV CKT (OHMS / PHASE)	
R1	R2
0.0000	0.0000
X1	X2
0.0000	0.0000
Xm	
0.0000	

