

# PRODUCT INFORMATION PACKET



Model No: C6T17DC89A

Catalog No: 117872.00

117872.00..1HP..1725RPM.56J.DP.230/460.3PH.60HZ.CONT.40C.1.15SF.C-FACE.C6T17DC89.....JET  
PUMP.NONE.....

Jet Pump



Regal and Leeson are trademarks of Regal Beloit Corporation or one of its affiliated companies.

©2018 Regal Beloit Corporation, All Rights Reserved. MC017097E



**Product Information Packet: Model No: C6T17DC89A, Catalog No:117872.00  
 117872.00..1HP..1725RPM.56J.DP.230/460.3PH.60HZ.CONT.40C.1.15SF.C-FACE.C6T17DC89.....JET  
 PUMP.NONE.....**



### Nameplate Specifications

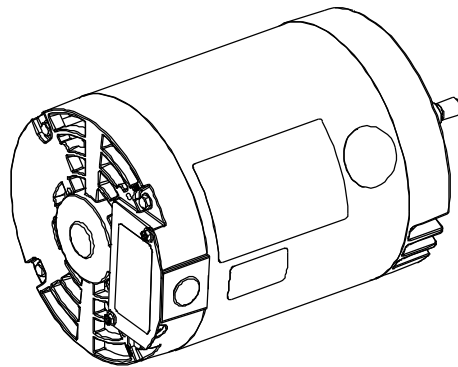
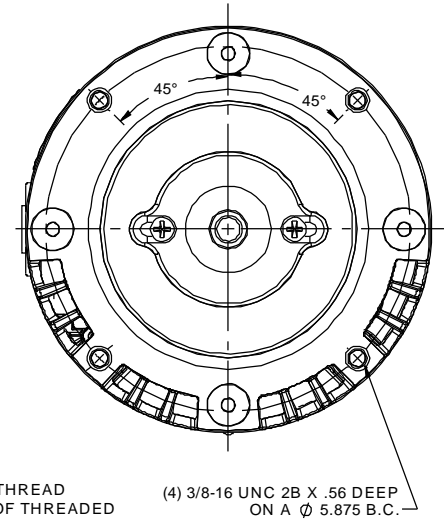
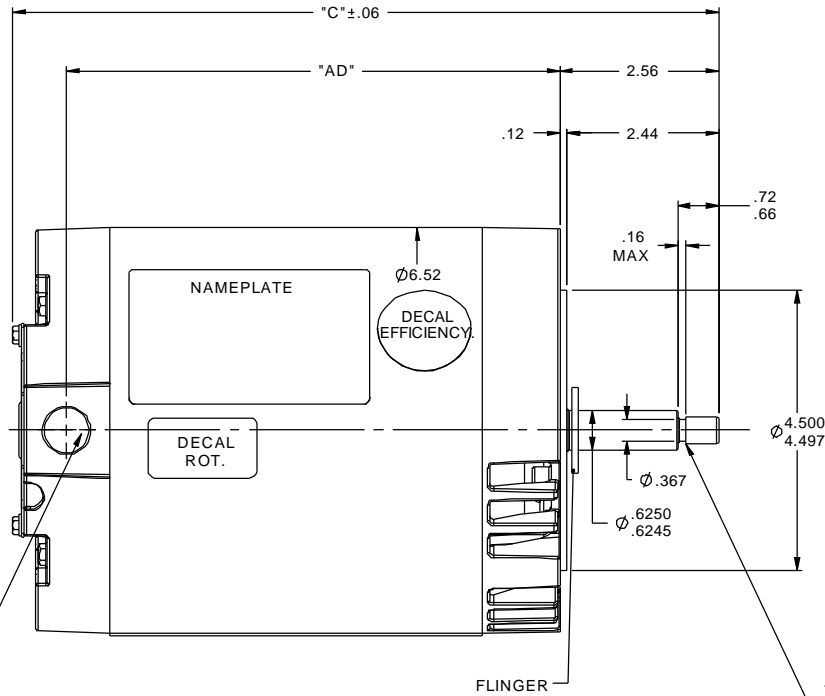
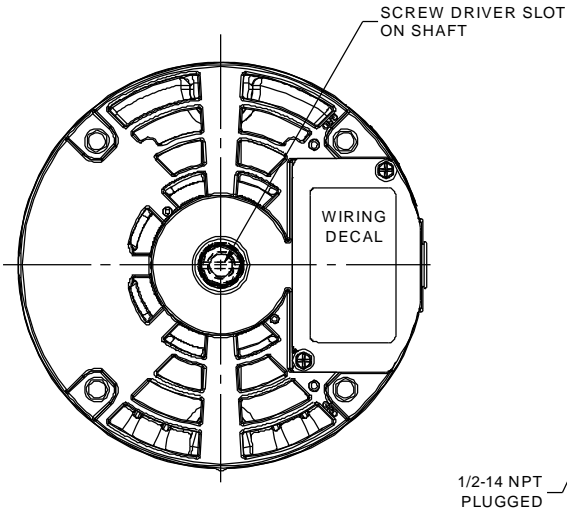
|                            |                   |                        |                      |
|----------------------------|-------------------|------------------------|----------------------|
| Output HP                  | <b>1 Hp</b>       | Output KW              | <b>0.75 kW</b>       |
| Frequency                  | <b>60 Hz</b>      | Voltage                | <b>208-230/460 V</b> |
| Current                    | <b>4.2/2.1 A</b>  | Speed                  | <b>1725 rpm</b>      |
| Service Factor             | <b>1.15</b>       | Phase                  | <b>3</b>             |
| Efficiency                 | <b>78.5 %</b>     | Duty                   | <b>Continuous</b>    |
| Insulation Class           | <b>F</b>          | Design Code            | <b>B</b>             |
| KVA Code                   | <b>K</b>          | Frame                  | <b>56J</b>           |
| Enclosure                  | <b>Drip Proof</b> | Overload Protector     | <b>No</b>            |
| Ambient Temperature        | <b>40 °C</b>      | Drive End Bearing Size | <b>6203</b>          |
| Opp Drive End Bearing Size | <b>6203</b>       | UL                     | <b>Recognized</b>    |
| CSA                        | <b>Y</b>          | CE                     | <b>N</b>             |
| IP Code                    | <b>22</b>         |                        |                      |

### Technical Specifications

|                       |                                    |                       |                        |
|-----------------------|------------------------------------|-----------------------|------------------------|
| Electrical Type       | <b>Squirrel Cage Induction Run</b> | Starting Method       | <b>Across The Line</b> |
| Poles                 | <b>4</b>                           | Rotation              | <b>Reversible</b>      |
| Mounting              | <b>Round</b>                       | Motor Orientation     | <b>HORIZONTAL</b>      |
| Drive End Bearing     | <b>BALL</b>                        | Opp Drive End Bearing | <b>BALL</b>            |
| Frame Material        | <b>Rolled Steel</b>                | Shaft Type            | <b>J</b>               |
| Overall Length        | <b>10.87 in</b>                    | Frame Length          | <b>5.50 in</b>         |
| Shaft Diameter        | <b>0.625 in</b>                    | Shaft Extension       | <b>2.44 in</b>         |
| Assembly/Box Mounting | <b>F1 ONLY</b>                     |                       |                        |
| Outline Drawing       | <b>029042-550</b>                  | Connection Diagram    | <b>005010.01</b>       |

**This is an uncontrolled document once printed or downloaded and is subject to change without notice. Date Created: 10/15/2018**

RBC PROPRIETARY AND CONFIDENTIAL INFORMATION  
 This document is the property of REGAL BELOIT CORPORATION ("RBC") including its subsidiaries and divisions and contains proprietary information of RBC. This document is loaned on the express condition that neither it nor the information contained therein shall be disclosed to others without the express written consent of RBC, and that the information shall be used by the recipient only as approved expressly by RBC. This document shall be returned to RBC upon its request. This document may be subject to certain restrictions under U.S. export control laws and regulations.



NOTES:  
 STAINLESS STEEL SHAFT

MAXIMUM FACE RUNOUT TO BE .004 T.I.R.  
 MAXIMUM PILOT ECCENTRICITY TO BE .004 T.I.R.  
 PERMISSIBLE SHAFT RUNOUT TO BE .002 T.I.R.

| DASH NO | "C"   | "AD" |
|---------|-------|------|
| 550     | 10.87 | 7.44 |
| 600     | 11.37 | 7.94 |
| 650     | 11.87 | 8.44 |
| 700     | 12.37 | 8.94 |
| 750     | 12.87 | 9.44 |

| TOLERANCES UNLESS SPECIFIED |                        | LEESON    | ELECTRIC MOTORS<br>GEARMOTORS<br>AND DRIVES | DRAWN UD 03/13/13 |
|-----------------------------|------------------------|-----------|---|-------------------|
| DEC                         | INCHES                 |           |   |                   |
| X                           | ±.1                    |           |   | APPR              |
| XX                          | ±.03                   |           | TITLE OUTLINE - 56J FRAME                   | SCALE 1:2         |
| XXX                         | ±.005                  |           | DRIP PROOF - "C" FACE                       | REF OL117378      |
| XXXX                        | ±.0005                 |           | MAT'L                                       | FMF 117873.00     |
| NO                          | REVISION               | BY & DATE | CHK LANG ±1/2°                              | FINISH            |
|                             |                        |           | RFP   | PREV              |
|                             | THIRD ANGLE PROJECTION |           | NETWORK FILE NAME 029042                    | SIZE B            |
|                             |                        |           |   | DRAWING NO 029042 |
|                             |                        |           |   | REV               |

005010-01

VIEW FROM OUTSIDE OF MOTOR AT SWITCH END.



| VOLTAGE | L1    | L2    | L3    | JOIN & INSULATE               |
|---------|-------|-------|-------|-------------------------------|
| HIGH    | T1    | T2    | T3    | (T4,T7)<br>(T5,T8)<br>(T6,T9) |
| LOW     | T1,T7 | T2,T8 | T3,T9 | T4,T5,T6                      |

|  |                       |              |     |                                |          |                                   |  |                    |           |             |      |
|--|-----------------------|--------------|-----|--------------------------------|----------|-----------------------------------|--|--------------------|-----------|-------------|------|
|  |                       |              |     | TOLERANCES<br>UNLESS SPECIFIED |          | <b>Regal Beloit America, Inc.</b> |  | DRAWN RDW 04/12/02 |           |             |      |
|  |                       |              |     | DEC.                           | INCHES   |                                   |  | CHK                |           |             |      |
|  |                       |              |     | .X                             | ±.1      |                                   |  | APPD               |           |             |      |
|  |                       |              |     | .XX                            | ±.01     |                                   |  | SCALE 1=1          |           |             |      |
|  |                       |              |     | .XXX                           | ±.005    | TITLE                             |  | REF FIG.2-51       |           |             |      |
| A  | UPDATED TO REGAL LOGO | SAJ 06/26/15 | AJY | .XXXX                          | ±.0005   | MAT'L.                            |  | FMF                |           |             |      |
| NO.  | REVISION              | BY & DATE    | CHK | ANG                            | ±1/2"    | FINISH                            |  | PREV               |           |             |      |
| THIS DRAWING IN DESIGN AND DETAIL IS OUR PROPERTY AND MUST NOT BE USED EXCEPT IN CONNECTION WITH OUR WORK ALL RIGHTS OF DESIGN AND INVENTION ARE RESERVED THIS IS AN ELECTRONICALLY GENERATED DOCUMENT - DO NOT SCALE THIS PRINT |                       |              |     | RFP                            | 04/12/02 | CAD FILE                          |  | 00501001           | SIZE      | DRAWING NO. | REV. |
|  |                       |              |     | DIST                           |          | BRF-NLV                           |  | A                  | 005010-01 | A           |      |



P.O. BOX 8003  
WAUSAU, WI 54401-8003  
PH. 715-675-3311

DATA VOLTS: 460

CERTIFICATION DATA SHEET

CONN. DIAGRAM: 005010.01  
OUTLINE: 029042-550  
WINDING: T634195

CAT #: 117872.00

DR 3

TYPICAL MOTOR PERFORMANCE DATA

|              |                 |             |          |                 |           |        |          |                |                 |      |      |             |             |                 |   |     |
|--------------|-----------------|-------------|----------|-----------------|-----------|--------|----------|----------------|-----------------|------|------|-------------|-------------|-----------------|---|-----|
| HP           | KW              | SYNC RPM    | FL RPM   | FRAME           | ENCLOSURE | TYPE   | KVA CODE | DESIGN         |                 |      |      |             |             |                 |   |     |
| 1            | 0.75            | 1800        | 1743     | 56J             | DP        | NA     | K        | B              |                 |      |      |             |             |                 |   |     |
| PH           | HZ              | VOLTS       | AMPS     | START TYPE      | DUTY      | INSL   | S.F.     | AMB            | ELEV.           |      |      |             |             |                 |   |     |
| 3            | 60              | 208-230/460 | 4.1/2.05 | ACROSS THE LINE | CONT      | F      | 1.15     | 40             | 3300            |      |      |             |             |                 |   |     |
| F.L. EFF     | F.L. PF         | 78.5        | 58.2     | 3/4 LD EFF      | 3/4 LD PF | 74.0   | 48.2     | 1/2 LD EFF     | 1/2 LD PF       | 69.3 | 37.2 | 0.0         | ELECT. TYPE | SO CAGE IND RUN |   |     |
| F.L. TORQUE  | LR AMPS @ 460 V | 11.0        | 9.5      | LB-FT           | 317%      | 11.8   | LB-FT    | F.L. RISE (°C) |                 |      |      |             |             |                 |   |     |
| PRESSURE @ 3 | DBA             | 1008        | DBA      | ROTOR WK²       | 0.06      | LB-FT² | 0.1      | LB-FT²         | SAFE STALL TIME | 0    | SEC. | STARTS/HOUR | 0           | MOTOR WGT       | 0 | LB. |

\*\*\* SUPPLEMENTAL INFORMATION \*\*\*

|                 |                  |              |                   |              |                    |                       |          |                |
|-----------------|------------------|--------------|-------------------|--------------|--------------------|-----------------------|----------|----------------|
| DE BRACKET TYPE | ODE BRACKET TYPE | MOUNT TYPE   | MOTOR ORIENTATION | SEVERE DUTY  | HAZARDOUS LOCATION | DRIIP COVER           | SCREENS  | PAINT          |
| C-FACE          | STANDARD         | ROUND        | HORIZONTAL        | NO           | NONE               | NO                    | NONE     | JE-LEESON/ENAM |
| BEARINGS DE     | ODE              | GREASE       | SHAFT TYPE        | SPECIAL DE   | SPECIAL ODE        | SHAFT                 | MATERIAL | FRAME MATERIAL |
| BALL 6203       | BALL 6203        | POLYREX EM   | JET PUMP          | NONE         | NONE               | 303 STAINLESS (C-501) |          | ROLLED STEEL   |
| THERMOSTATS     | PROTECTORS       | WIDG RTD's   | BRG RTD's         | THERMISTORS  | CONTROL            | SPACE HEATERS         |          |                |
| NONE            | NOT              | NONE         | NONE              | NONE         | FALSE              | NA                    |          |                |
| R1 (ohms/ph)    | R2 (ohms/ph)     | X1 (ohms/ph) | X2 (ohms/ph)      | Xm (ohms/ph) | VIBRATION (in/sec) | FLOAT ODE             |          |                |
| 0               | 0                | 0            | 0                 | 0            | 0.150              |                       |          |                |

|              |  |                           |
|--------------|--|---------------------------|
| * NOT TESTED |  | INVERTER TORQUE: NONE     |
|              |  | INV. HP SPEED RANGE: NONE |
|              |  | ENCODER: NONE             |
|              |  | NONE                      |
|              |  | BRAKE: NONE               |
|              |  | NONE                      |
|              |  | FT-LB: NA                 |
|              |  | NONE                      |
|              |  | VOLTAGE: NONE             |
|              |  | NONE                      |
|              |  | UL: Y-(LEESON UL REC)     |

|       |           |     |  |
|-------|-----------|-----|--|
| DATE: | 1/18/2018 | HZ: |  |
|-------|-----------|-----|--|



| Motor Load Data |      |      |      |      |      | LR   |      |
|-----------------|------|------|------|------|------|------|------|
| Load            | 0%   | 25%  | 50%  | 75%  | 100% | 115% | 125% |
| Current (Amps)  | 1.76 | 1.80 | 1.84 | 1.98 | 2.04 | 2.16 | 2.27 |
| Torque (ft-lb)  | 0.00 | 0.75 | 1.50 | 2.25 | 3.0  | 3.4  | 3.8  |
| RPM             | 1800 | 1786 | 1773 | 1759 | 1743 | 1736 | 1726 |
| Efficiency (%)  |      | 51.4 | 69.3 | 74.0 | 78.5 | 77.6 | 76.6 |
| P.F. (%)        | 12.8 | 25.8 | 37.2 | 48.2 | 58.2 | 62.3 | 66.4 |

| Motor Speed Data |      |         |      |       |      | Information Block |           |       |           |
|------------------|------|---------|------|-------|------|-------------------|-----------|-------|-----------|
|                  | LR   | Pull-Up | BD   | Rated | Idle | HP                | Sync. RPM | Frame | Enclosure |
| Speed (RPM)      | 0    | 400     | 1200 | 1743  | 1800 | 1.0               | 1800      | 140   | DP        |
| Current (Amps)   | 11.0 | 10.1    | 6.6  | 2.04  | 1.76 | 208-230/460 V     |           |       |           |
| Torque (ft-lb)   | 9.5  | 9.4     | 11.8 | 3.0   | 0.00 | Frequency 60 Hz   |           |       |           |

|                             |                         |
|-----------------------------|-------------------------|
| Construction                | NA                      |
| Voltage                     | 208-230/460 V           |
| Frequency                   | 60 Hz                   |
| Design                      | B                       |
| LR Code letter              | K                       |
| Service Factor              | 1.15                    |
| Temp Rise @ FL              | 60 °C                   |
| Duty                        | CONT                    |
| Ambient                     | 40 °C                   |
| Elevation                   | 1,000 feet              |
| Rotor/Shaft wk <sup>2</sup> | 0.06 LB-Ft <sup>2</sup> |
| Ref Wdg                     | T634195 DR              |
| Sound Pressure @ 1M         | 999 dBA                 |
| VFD Rating                  | NONE                    |
| Outline Dwg                 | 029042-550              |
| Conn. Diag                  | 005010.01               |
| Additional Specifications:  |                         |
| 0                           |                         |
| EQUIV CKT (OHMS / PHASE)    |                         |
| R1                          | R2                      |
| 0.0000                      | 0.0000                  |
| X1                          | X2                      |
| 0.0000                      | 0.0000                  |
| Xm                          | Xm                      |
| 0.0000                      | 0.0000                  |

