

PRODUCT INFORMATION PACKET



Model No: M6K17F61A

Catalog No: 117866.00

..1.5HP..1800RPM.56H.TEFC.115/230V.1PH.60HZ.CONT.40C.1.15SF.RIGID.....AG-DUTY.....

Agricultural



Regal and Leeson are trademarks of Regal Beloit Corporation or one of its affiliated companies.

©2018 Regal Beloit Corporation, All Rights Reserved. MC017097E





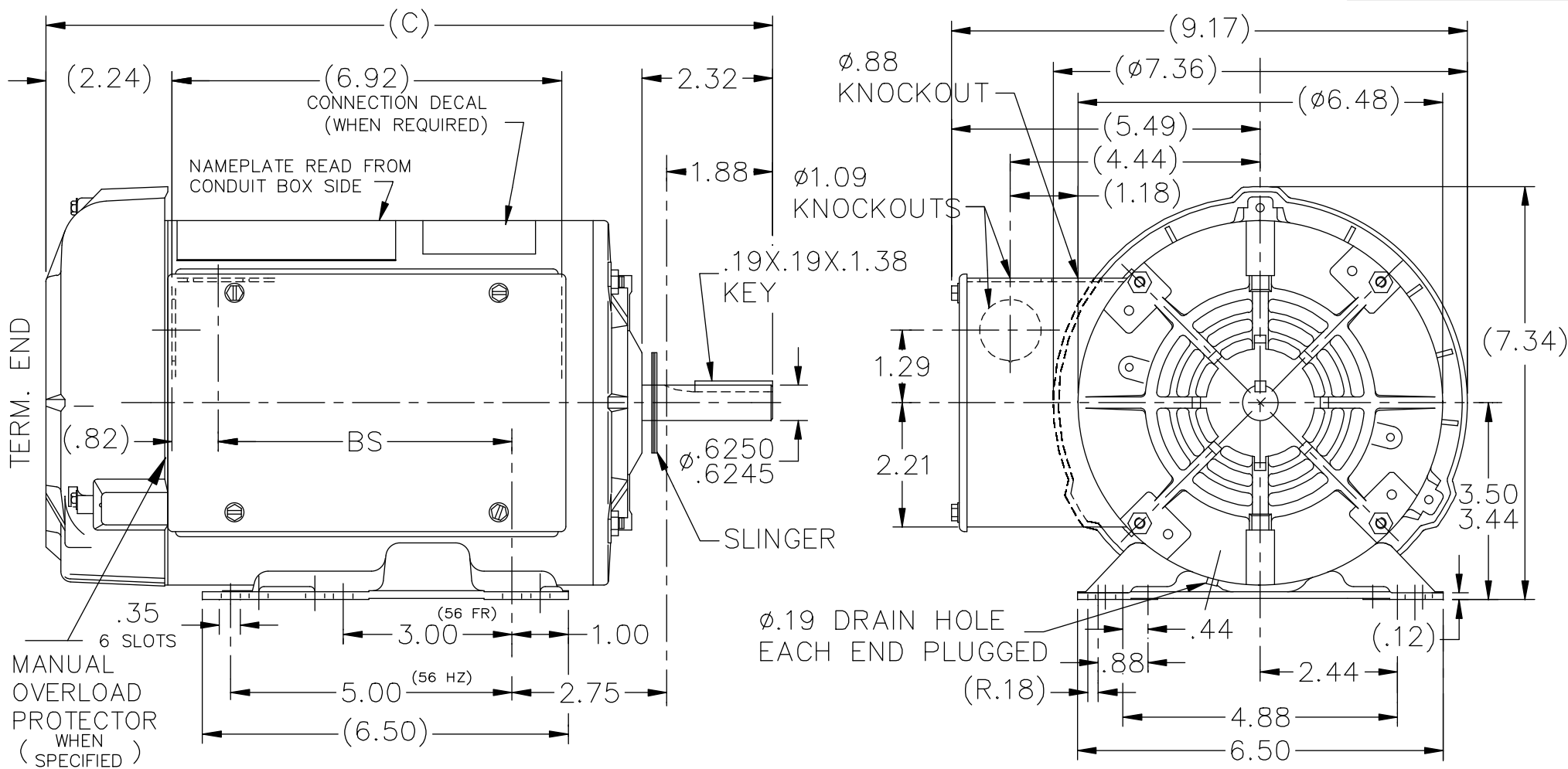
Nameplate Specifications

Output HP	1.50 Hp	Output KW	1.1 kW
Frequency	60 Hz	Voltage	115/208-230 V
Current	15.2/8.2-7.6 A	Speed	1725 rpm
Service Factor	1.15	Phase	1
Efficiency	80 %	Duty	Continuous
Insulation Class	B	Design Code	L
KVA Code	J	Frame	56H
Enclosure	Totally Enclosed Fan Cooled	Overload Protector	Manual
Ambient Temperature	40 °C	Drive End Bearing Size	6203
Opp Drive End Bearing Size	6203	UL	Recognized
CSA	Y	CE	N
IP Code	43		

Technical Specifications

Electrical Type	Capacitor Start Capacitor Run	Starting Method	Across The Line
Poles	4	Rotation	Selective Counterclockwise
Mounting	Rigid base	Motor Orientation	HORIZONTAL
Drive End Bearing	BALL	Opp Drive End Bearing	BALL
Frame Material	Rolled Steel	Shaft Type	T
Overall Length	13.82 in	Frame Length	8.56 in
Shaft Diameter	0.625 in	Shaft Extension	1.88 in
Assembly/Box Mounting	F1 ONLY		
Outline Drawing	A-100138LE-856	Connection Diagram	A-102006-52-LE

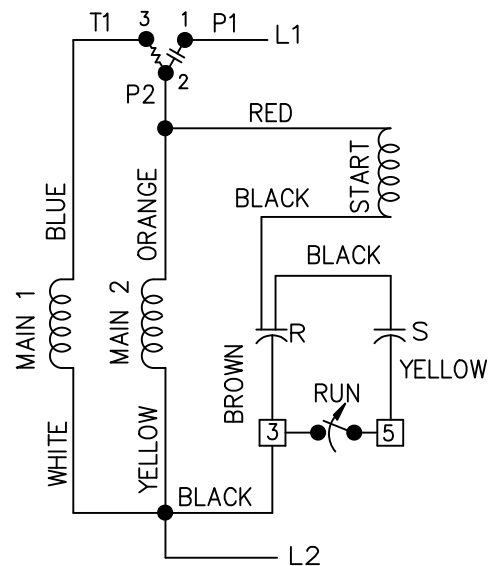
This is an uncontrolled document once printed or downloaded and is subject to change without notice. Date Created: 10/15/2018



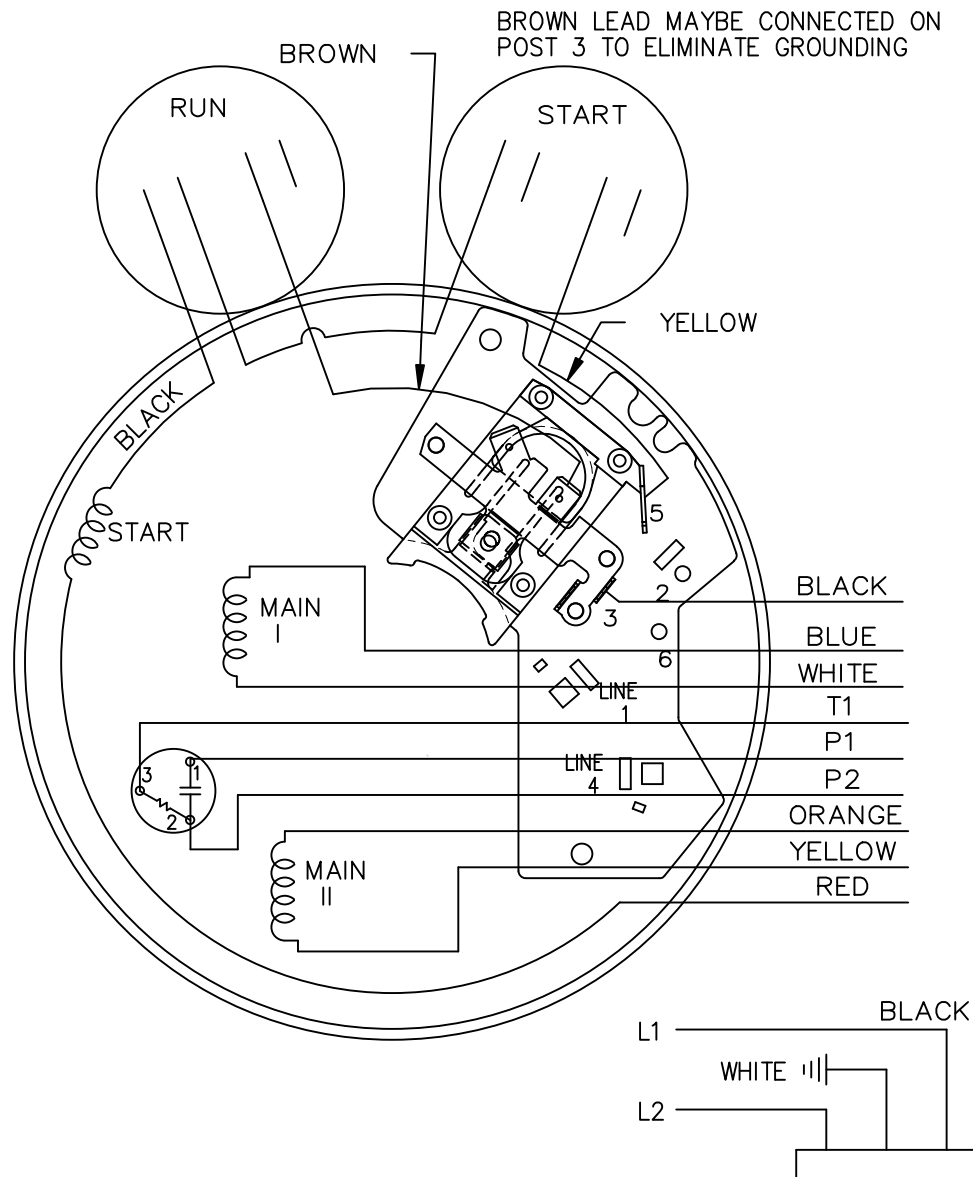
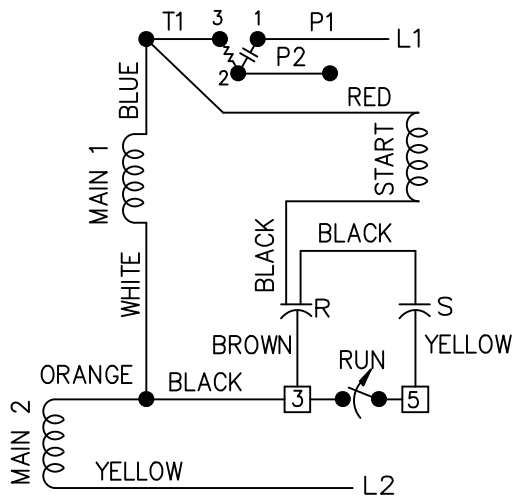
DASH	FR.	C	BS
856	56-85	13.82	6.14

				TOLERANCES UNLESS SPECIFIED		LEESON	ELECTRIC MOTORS GEARMOTORS AND DRIVES	DRAWN ML 01-11-1992	
				DEC.	INCHES			CHK	GK
				.X	±.1			APPD	FG 01-12-1992
				.XX	±.03			SCALE	3=8
4	REDRAWN IN AUTOCAD	TAT 06-13-2005	ML	.XXX	±.005	TITLE	OUTLINE	REF	
3	REDRAWN ON CADD, ADDED CONN. DECAL	ML 01-12-1992		.XXXX	±.0005	MAT'L.	56 FR.-BB-TEFC-1Ø-MAN. PROT.	FMF	
NO.	REVISION	BY & DATE	CHK	ANG	±7'30"	FINISH		PREV	
THIS DRAWING IN DESIGN AND DETAIL IS OUR PROPERTY AND MUST NOT BE USED EXCEPT IN CONNECTION WITH OUR WORK ALL RIGHTS OF DESIGN AND INVENTION ARE RESERVED THIS IS AN ELECTRONICALLY GENERATED DOCUMENT - DO NOT SCALE THIS PRINT				RFP		CAD FILE	100138LE	SIZE	DRAWING NO. PAGE OF
				DIST	WP			A	100138LE 4

LOW VOLTAGE C.C.W.



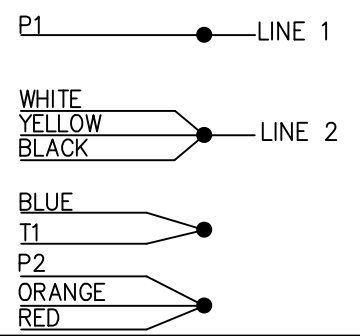
HIGH VOLTAGE C.C.W.



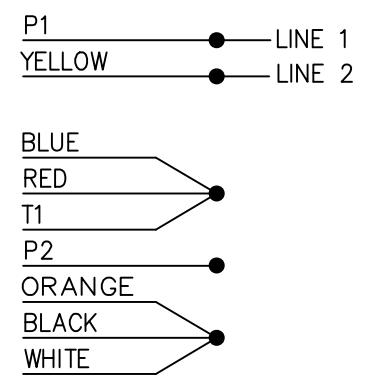
102006-52-LE

DUAL VOLTAGE
CAP START-CAP RUN
OVERLOAD
SELECT ROTATION


LOW VOLT. CCW ROT.



HIGH VOLT. CCW ROT.



FOR CW ROT. EITHER
VOLTAGE INTERCHANGE
RED WITH BLACK LEAD.

				TOLERANCES UNLESS SPECIFIED		 ELECTRIC MOTORS GEARMOTORS AND DRIVES	DRAWN NJS 02-24-2004					
				DEC.	INCHES		CHK ML 02-24-2004					
				.X	±.1		APPD JET 02-25-2004					
				.XX	±.02		SCALE 5=8					
				.XXX	±.005		REF					
1	CHG'ED SWITCH TO OPEN WHEN RUNNING ISAAC 11-2715	KBB 06-23-2011	EH	.XXXX	±.0005	MAT'L.	FMF	MU49983				
NO.	REVISION	BY & DATE	CHK	ANG	±7'30"	FINISH	PREV					
THIS DRAWING IN DESIGN AND DETAIL IS OUR PROPERTY AND MUST NOT BE USED EXCEPT IN CONNECTION WITH OUR WORK ALL RIGHTS OF DESIGN AND INVENTION ARE RESERVED THIS IS AN ELECTRONICALLY GENERATED DOCUMENT - DO NOT SCALE THIS PRINT				RFP	02-25-2004	CAD FILE	102006-52-LE	SIZE	DRAWING NO.	PAGE	OF	REV.
				DIST	WP			A	102006-52-LE			1

