

PRODUCT INFORMATION PACKET



Model No: M6C17FB167A

Catalog No: 117865.00

..1HP..1800RPM.56.TEFC.115/230V.1PH.60HZ.CONT.40C.1.15SF.RIGID.....AG-DUTY.....

Agricultural



Regal and Leeson are trademarks of Regal Beloit Corporation or one of its affiliated companies.

©2018 Regal Beloit Corporation, All Rights Reserved. MC017097E





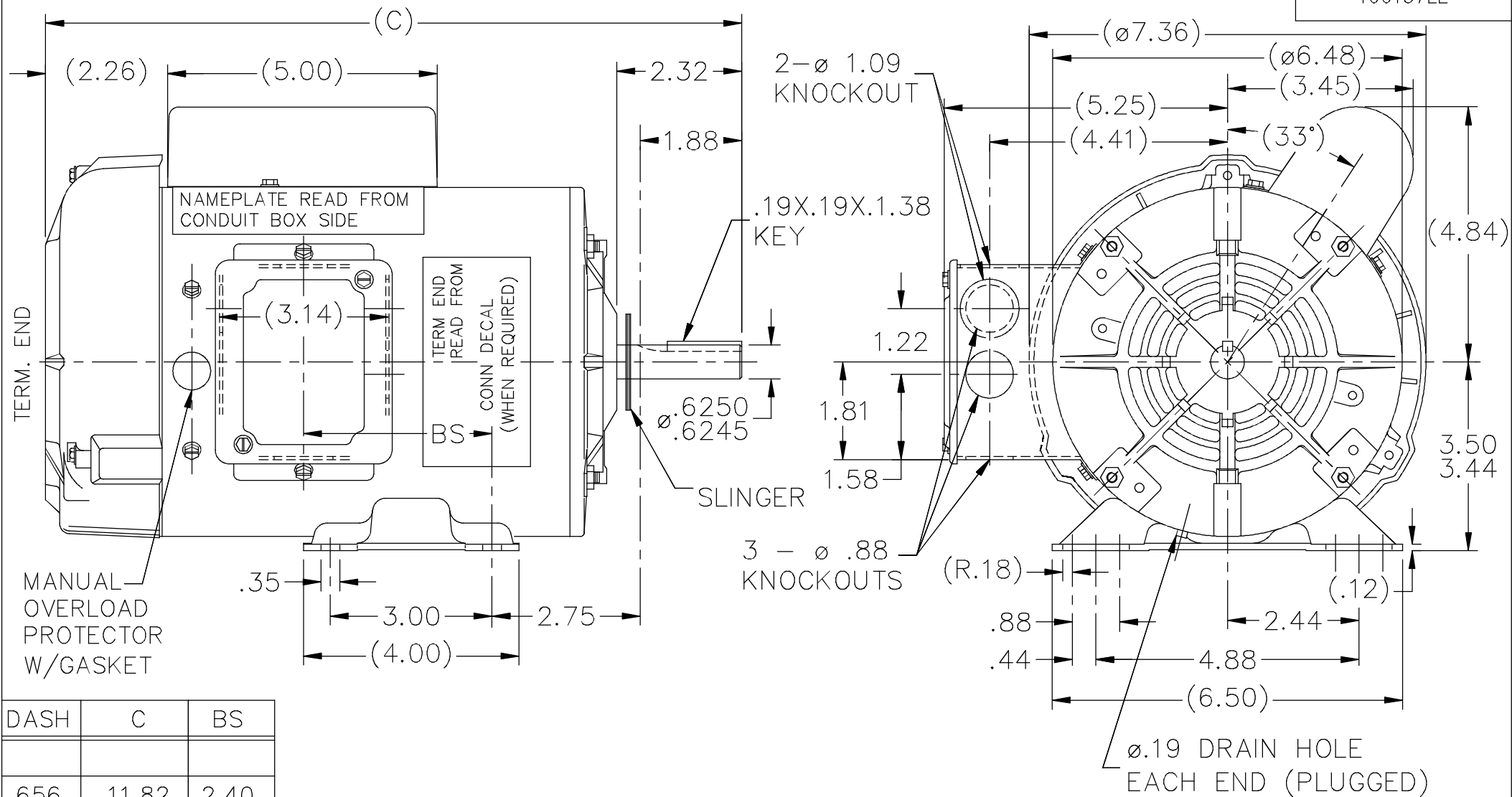
Nameplate Specifications

Output HP	1 Hp	Output KW	0.75 kW
Frequency	60 Hz	Voltage	115/208-230 V
Current	13.4/6.8-6.7 A	Speed	1725 rpm
Service Factor	1.15	Phase	1
Efficiency	72 %	Duty	Continuous
Insulation Class	B	Design Code	L
KVA Code	J	Frame	56
Enclosure	Totally Enclosed Fan Cooled	Overload Protector	Manual
Ambient Temperature	40 °C	Drive End Bearing Size	6203
Opp Drive End Bearing Size	6203	UL	Recognized
CSA	Y	CE	N
IP Code	43		


Technical Specifications

Electrical Type	Capacitor Start Induction Run	Starting Method	Across The Line
Poles	4	Rotation	Selective Counterclockwise
Mounting	Rigid base	Motor Orientation	HORIZONTAL
Drive End Bearing	BALL	Opp Drive End Bearing	BALL
Frame Material	Rolled Steel	Shaft Type	T
Overall Length	12.82 in	Frame Length	7.56 in
Shaft Diameter	0.625 in	Shaft Extension	1.88 in
Assembly/Box Mounting	F1 ONLY		
Outline Drawing	A-100137LE-756	Connection Diagram	A-102005-52-LE

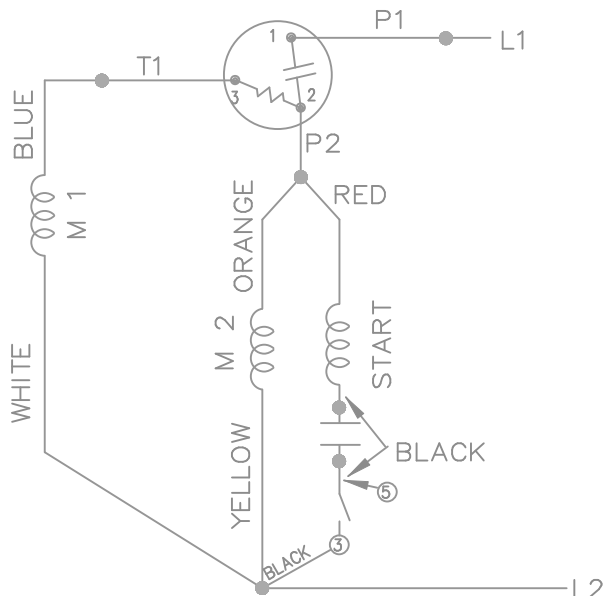
This is an uncontrolled document once printed or downloaded and is subject to change without notice. Date Created: 10/15/2018



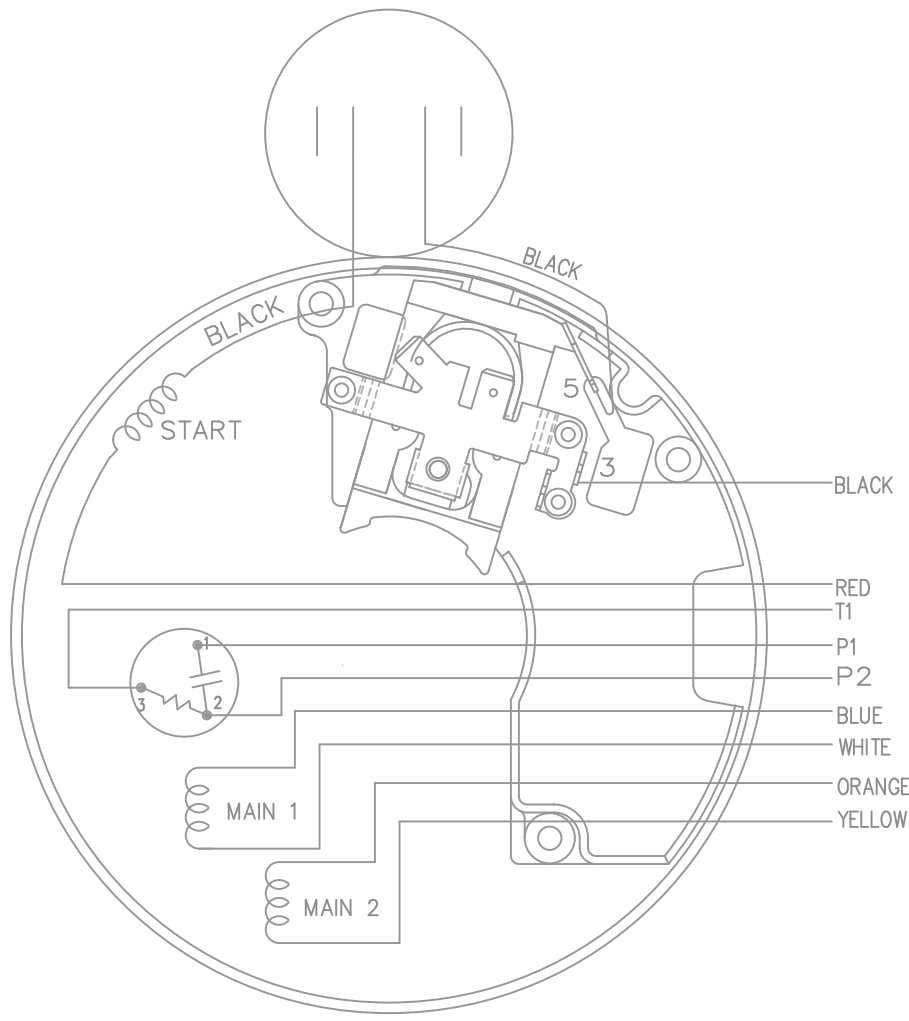
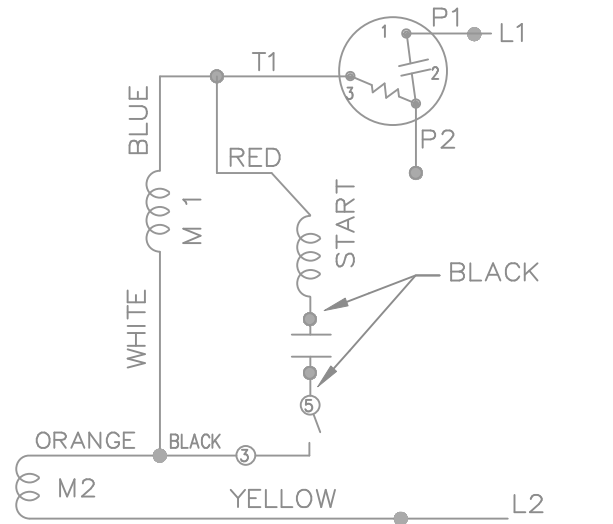
DASH	C	BS
656	11.82	2.40
706	12.32	2.90
756	12.82	3.40

NO.	REVISION	BY & DATE	CHK	TOLERANCES UNLESS SPECIFIED		ELECTRIC MOTORS GEARMOTORS AND DRIVES	DRAWN SVL 2-18-2013
				DEC.	INCHES		
				.X	±.1	 TITLE OUTLINE 56 FRAME - BB - TEFC - 1ø	CHK
				.XX	±.03		APPD
				.XXX	±.005		SCALE 3=8
				.XXXX	±.0005		REF
				ANG	±7'30"	MAT'L.	FMF MU112210
						FINISH	PREV
			RFP	2-18-2013		CAD FILE 100137LE	SIZE A
							DRAWING NO. 100137LE
							PAGE 1 OF 1
							REV.

LOW VOLTAGE - CCW

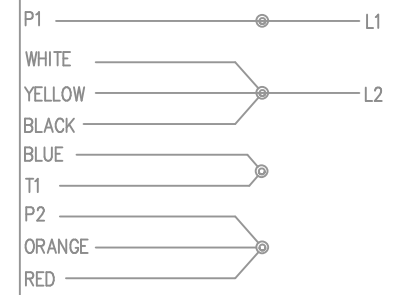


HIGH VOLTAGE - CCW

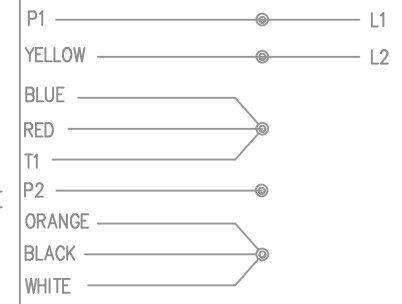


DUAL VOLTAGE
CAPACITOR START
OVERLOAD
SELECT ROTATION


LOW VOLT. CCW ROT.



HIGH VOLT. CCW ROT.



FOR CW ROTATION
EITHER VOLTAGE
INTERCHANGE RED
WITH BLACK

				TOLERANCES UNLESS SPECIFIED		 ELECTRIC MOTORS GEARMOTORS AND DRIVES TITLE CONNECTION DIAGRAM	DRAWN NJS 09-03-2002					
				DEC.	INCHES		CHK ML 09-04-2002					
				.X	±.1		APPD GK 09-09-2002					
				.XX	±.02		SCALE 5=8					
				.XXX	±.005		REF					
1	NEW DRAWING	MU43222	NJS 09-09-2002	ML	.XXXX	±.0005	MAT'L.	FMF				
NO.	REVISION	BY & DATE	CHK	ANG	±7'30"		FINISH	PREV				
THIS DRAWING IN DESIGN AND DETAIL IS OUR PROPERTY AND MUST NOT BE USED EXCEPT IN CONNECTION WITH OUR WORK ALL RIGHTS OF DESIGN AND INVENTION ARE RESERVED THIS IS AN ELECTRONICALLY GENERATED DOCUMENT - DO NOT SCALE THIS PRINT				RFP	CAD FILE 102005-52-LE			SIZE	DRAWING NO.	PAGE	OF	REV.
				DIST	WP			A	102005-52-LE			1

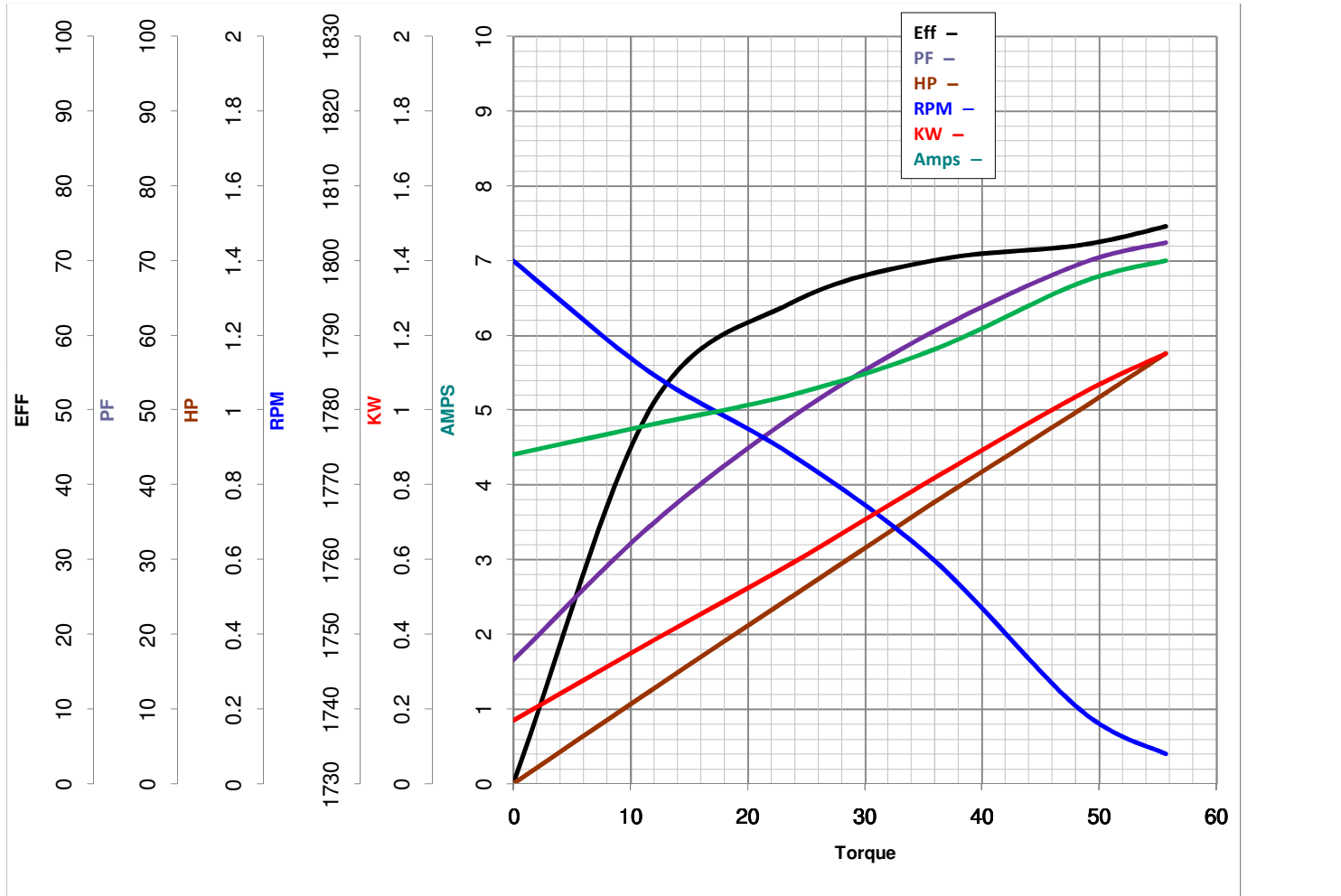


LEESON ELECTRIC CORPORATION
 TYPICAL PERFORMANCE CURVE for AC MOTOR

Curve at 230 Volts HP 1.00 PHASE 1
60 HZ
1 HP VOLTS 115/208-230
 HZ 60 RPM 1725

Model No 117865.00

Catalog No 117865.00



Torque in Oz.Ft

FL TORQUE 48.3 Oz.Ft
 BD TORQUE 122.0 Oz.Ft
 LR TORQUE 142.5 Oz.Ft

FL AMPS 13.4/6.8-6.7
 PU TORQUE 101.0 Oz.Ft
 LR AMPS 34.7

WINDING ZC407-3

Date 3/27/2018