

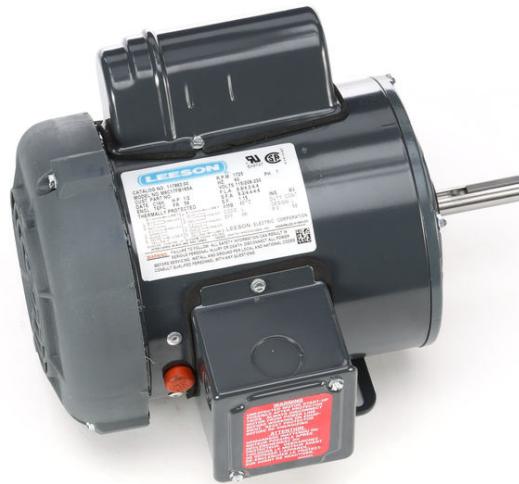
PRODUCT INFORMATION PACKET



Model No: M6C17FB165A

Catalog No: 117863.00

..1/2HP..1800RPM.56.TEFC.115/230V.1PH.60HZ.CONT.40C.1.15SF.RIGID.....AG DUTY.....
Agricultural



Regal and Leeson are trademarks of Regal Beloit Corporation or one of its affiliated companies.

©2018 Regal Beloit Corporation, All Rights Reserved. MC017097E





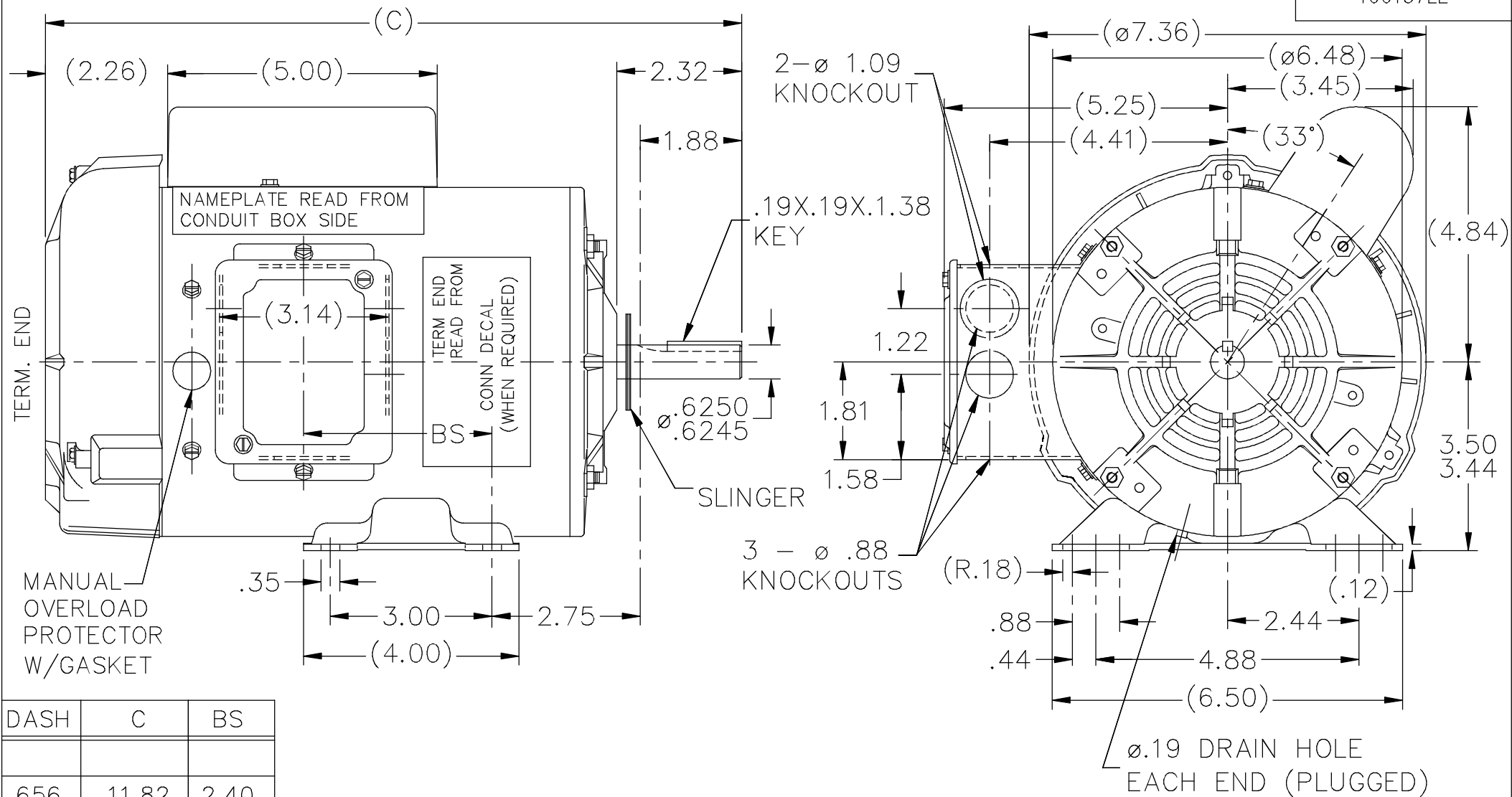
Nameplate Specifications

Output HP	0.50 Hp	Output KW	0.37 kW
Frequency	60 Hz	Voltage	115/208-230 V
Current	8.8/4.2-4.4 A	Speed	1725 rpm
Service Factor	1.15	Phase	1
Efficiency	66 %	Duty	Continuous
Insulation Class	B	Design Code	L
KVA Code	L	Frame	56
Enclosure	Totally Enclosed Fan Cooled	Overload Protector	Manual
Ambient Temperature	40 °C	Drive End Bearing Size	6203
Opp Drive End Bearing Size	6203	UL	Recognized
CSA	Y	CE	N
IP Code	43		


Technical Specifications

Electrical Type	Capacitor Start Induction Run	Starting Method	Across The Line
Poles	4	Rotation	Selective Counterclockwise
Mounting	Rigid base	Motor Orientation	HORIZONTAL
Drive End Bearing	BALL	Opp Drive End Bearing	BALL
Frame Material	Rolled Steel	Shaft Type	T
Overall Length	11.82 in	Frame Length	6.56 in
Shaft Diameter	0.625 in	Shaft Extension	1.88 in
Assembly/Box Mounting	F1 ONLY		
Outline Drawing	A-100137LE-656	Connection Diagram	A-102005-52-LE

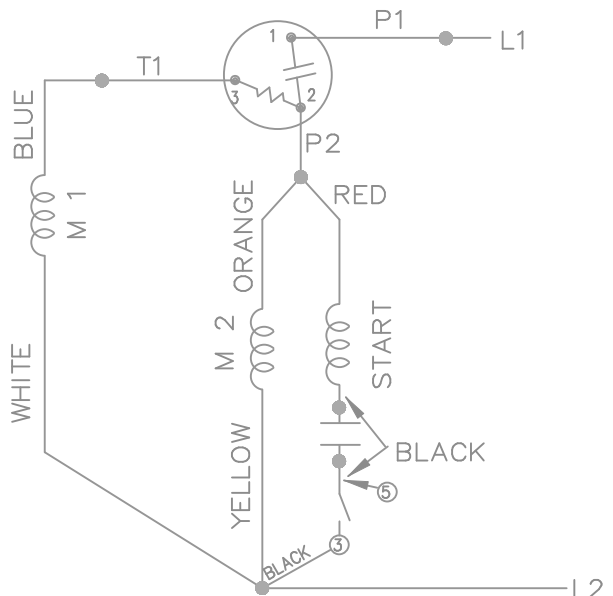
This is an uncontrolled document once printed or downloaded and is subject to change without notice. Date Created: 10/15/2018



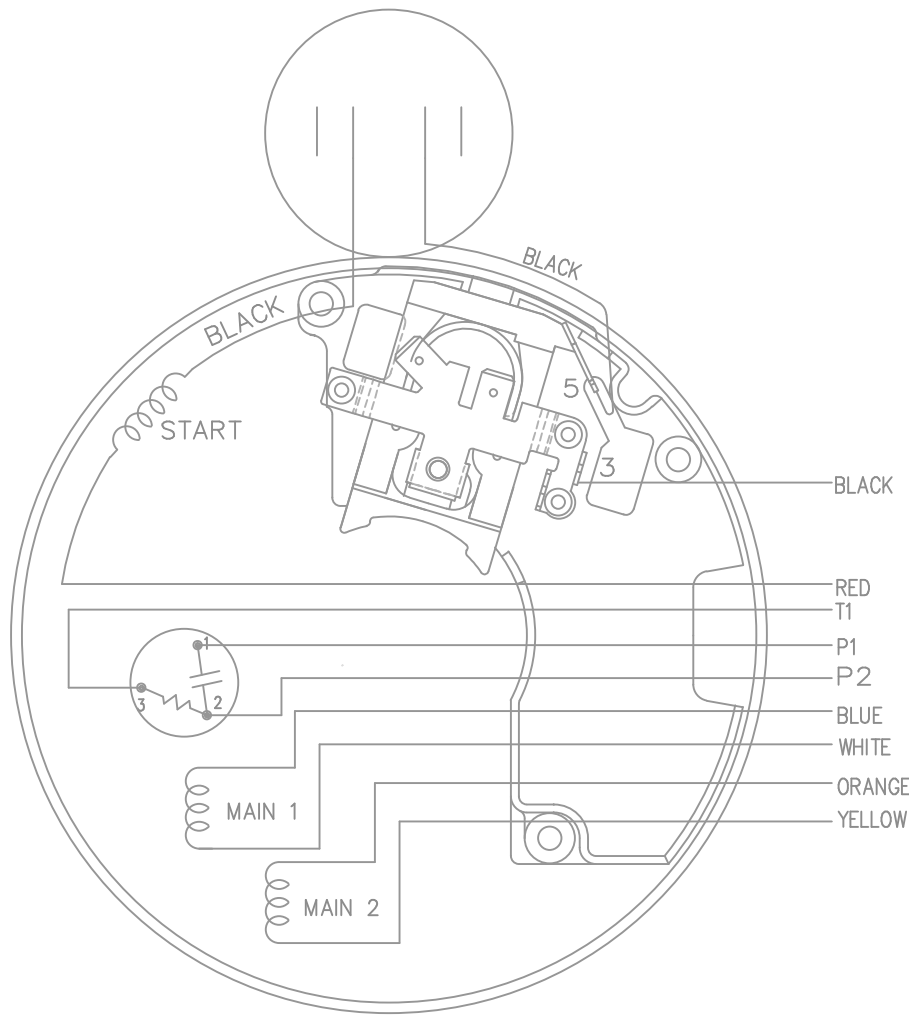
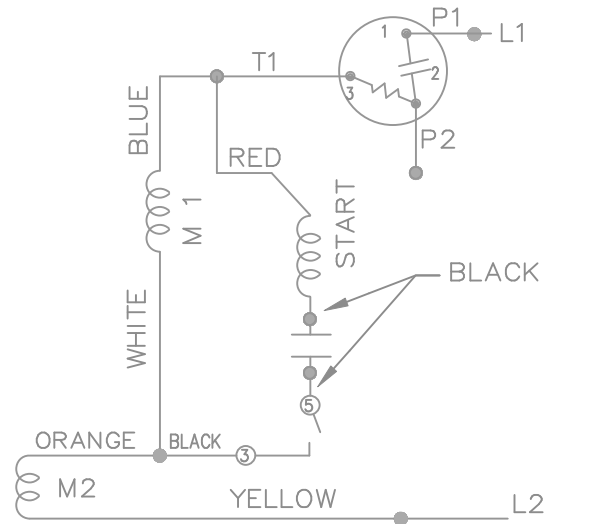
DASH	C	BS
656	11.82	2.40
706	12.32	2.90
756	12.82	3.40

NO.	REVISION	BY & DATE	CHK	TOLERANCES UNLESS SPECIFIED		FINISH	MAT'L.	ELECTRIC MOTORS GEARMOTORS AND DRIVES	DRAWN SVL 2-18-2013			
				DEC.	INCHES				CHK	APPD	SCALE	
				.X	\pm .1							
				.XX	\pm .03		TITLE OUTLINE				3=8	
				.XXX	\pm .005		56 FRAME - BB - TEFC - 1 ϕ				REF	
				.XXXX	\pm .0005						FMF MU112210	
				ANG	\pm 7'30"					PREV		
			RFP	2-18-2013			CAD FILE 100137LE		SIZE A	DRAWING NO. 100137LE	PAGE 1 OF 1	REV.

LOW VOLTAGE - CCW

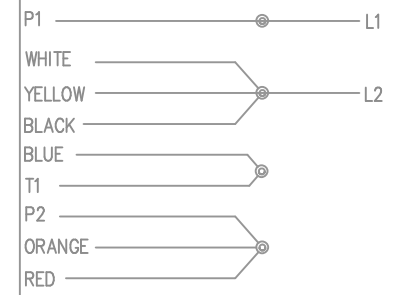


HIGH VOLTAGE - CCW

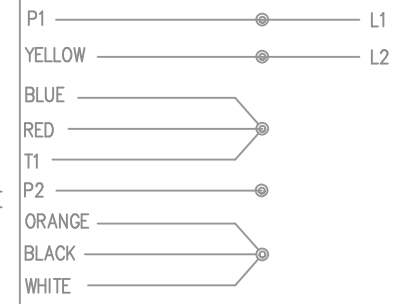


DUAL VOLTAGE
CAPACITOR START
OVERLOAD
SELECT ROTATION


LOW VOLT. CCW ROT.



HIGH VOLT. CCW ROT.



FOR CW ROTATION
EITHER VOLTAGE
INTERCHANGE RED
WITH BLACK

				TOLERANCES UNLESS SPECIFIED		 ELECTRIC MOTORS GEARMOTORS AND DRIVES	DRAWN NJS 09-03-2002 CHK ML 09-04-2002 APPD GK 09-09-2002
				DEC.	INCHES		SCALE 5=8
				.X	±.1		REF
				.XX	±.02		FMP
				.XXX	±.005		PREV
1	NEW DRAWING	MU43222	NJS 09-09-2002	ML	.XXXX ±.0005	MAT'L.	
NO.	REVISION	BY & DATE	CHK	ANG	±7'30"	FINISH	
THIS DRAWING IN DESIGN AND DETAIL IS OUR PROPERTY AND MUST NOT BE USED EXCEPT IN CONNECTION WITH OUR WORK ALL RIGHTS OF DESIGN AND INVENTION ARE RESERVED THIS IS AN ELECTRONICALLY GENERATED DOCUMENT - DO NOT SCALE THIS PRINT				RFP		CAD FILE 102005-52-LE	SIZE A
				DIST	WP		DRAWING NO. 102005-52-LE
							PAGE OF 1
							REV. 1



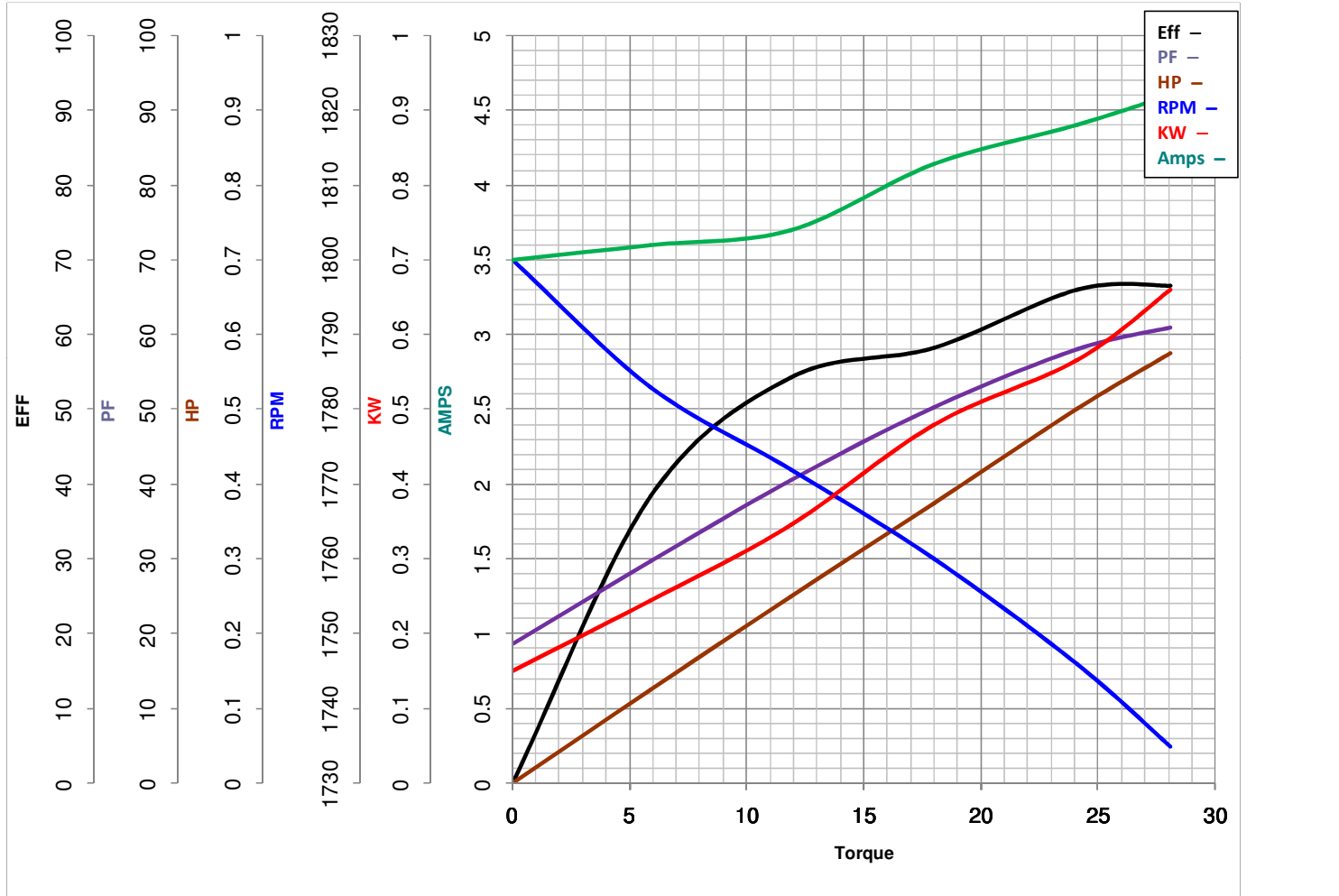
LEESON ELECTRIC CORPORATION
 TYPICAL PERFORMANCE CURVE for AC MOTOR

Model No 117863.00

Catalog No 117863.00

Curve at 230 Volts HP 0.50 PHASE 1
60 HZ
0.5 HP VOLTS 115/208-230

HZ 60 RPM 1725



Torque in Oz.Ft

FL TORQUE 24.1 Oz.Ft
 BD TORQUE 72.3 Oz.Ft
 LR TORQUE 83.8 Oz.Ft

FL AMPS 8.8/4.2-4.4
 PU TORQUE 61.2 Oz.Ft
 LR AMPS 21.3

WINDING ZC404-3

Date 4/12/2018