

PRODUCT INFORMATION PACKET



Model No: M6C17FB164A

Catalog No: 117862.00

..1/3 HP..1800RPM.56.TEFC.115/230V.3PH.60HZ.CONT.40C.1.15SF.RIGID.....AG DUTY.....
Agricultural



Regal and Leeson are trademarks of Regal Beloit Corporation or one of its affiliated companies.

©2018 Regal Beloit Corporation, All Rights Reserved. MC017097E





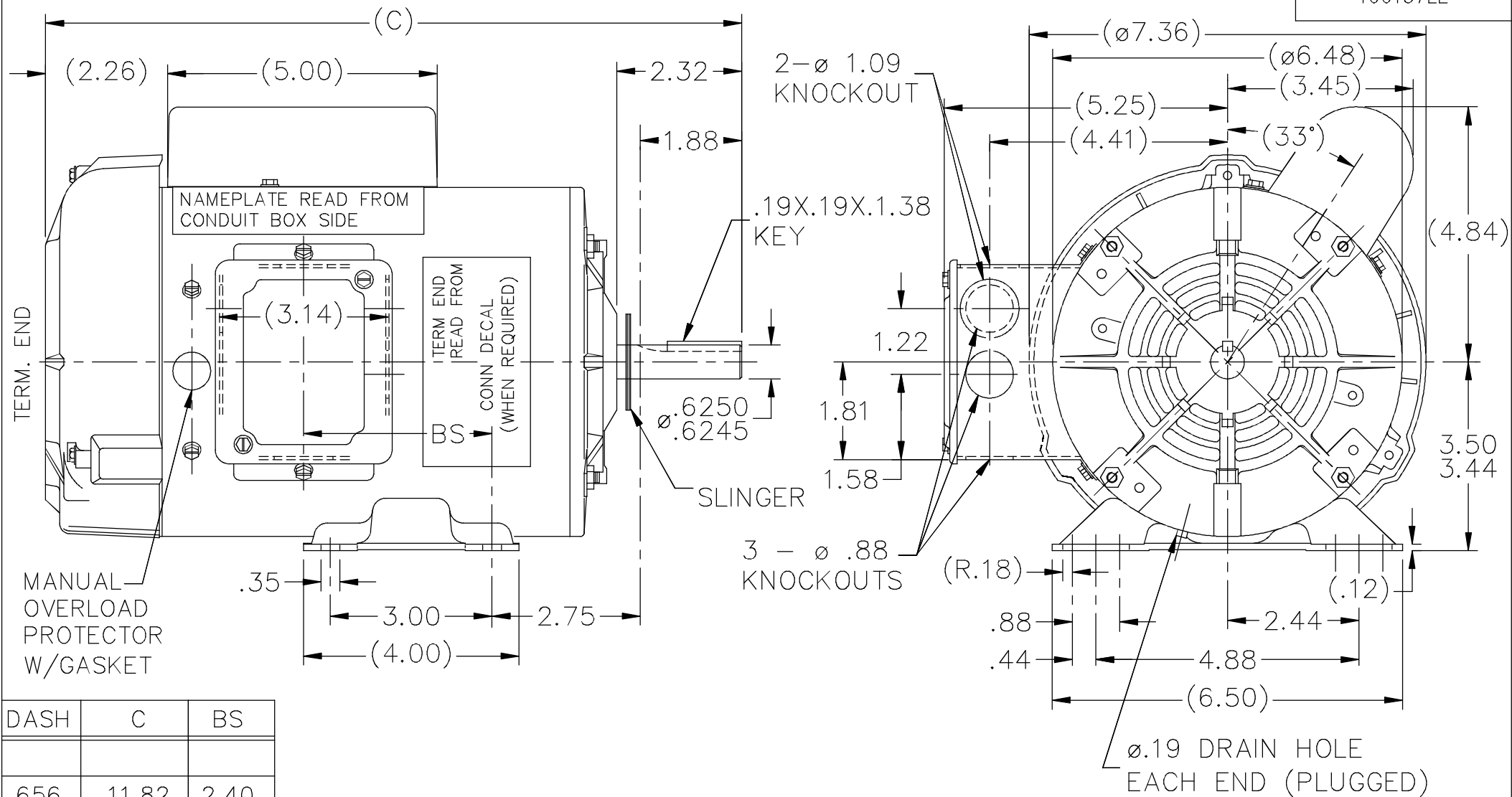
Nameplate Specifications

| | | | |
|----------------------------|------------------------------------|------------------------|----------------------|
| Output HP | 0.33 Hp | Output KW | 0.25 kW |
| Frequency | 60 Hz | Voltage | 115/208-230 V |
| Current | 6.6/3.1-3.3 A | Speed | 1725 rpm |
| Service Factor | 1.15 | Phase | 1 |
| Efficiency | 55 % | Duty | Continuous |
| Insulation Class | B | Design Code | N |
| KVA Code | N | Frame | 56 |
| Enclosure | Totally Enclosed Fan Cooled | Overload Protector | Manual |
| Ambient Temperature | 40 °C | Drive End Bearing Size | 6203 |
| Opp Drive End Bearing Size | 6203 | UL | Recognized |
| CSA | Y | CE | N |
| IP Code | 43 | | |


Technical Specifications

| | | | |
|-----------------------|--------------------------------------|-----------------------|-----------------------------------|
| Electrical Type | Capacitor Start Induction Run | Starting Method | Across The Line |
| Poles | 4 | Rotation | Selective Counterclockwise |
| Mounting | Rigid base | Motor Orientation | HORIZONTAL |
| Drive End Bearing | BALL | Opp Drive End Bearing | BALL |
| Frame Material | Rolled Steel | Shaft Type | T |
| Overall Length | 11.82 in | Frame Length | 6.56 in |
| Shaft Diameter | 0.625 in | Shaft Extension | 1.88 in |
| Assembly/Box Mounting | F1 ONLY | | |
| Outline Drawing | A-100137LE-656 | Connection Diagram | A-102005-52-LE |

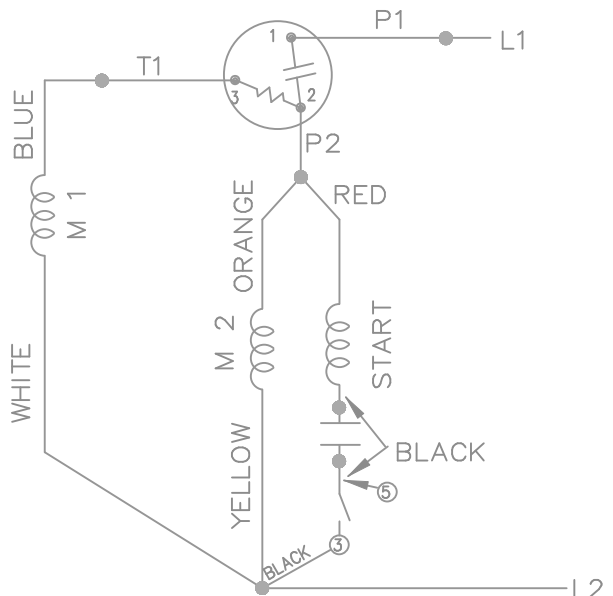
This is an uncontrolled document once printed or downloaded and is subject to change without notice. Date Created: 10/15/2018



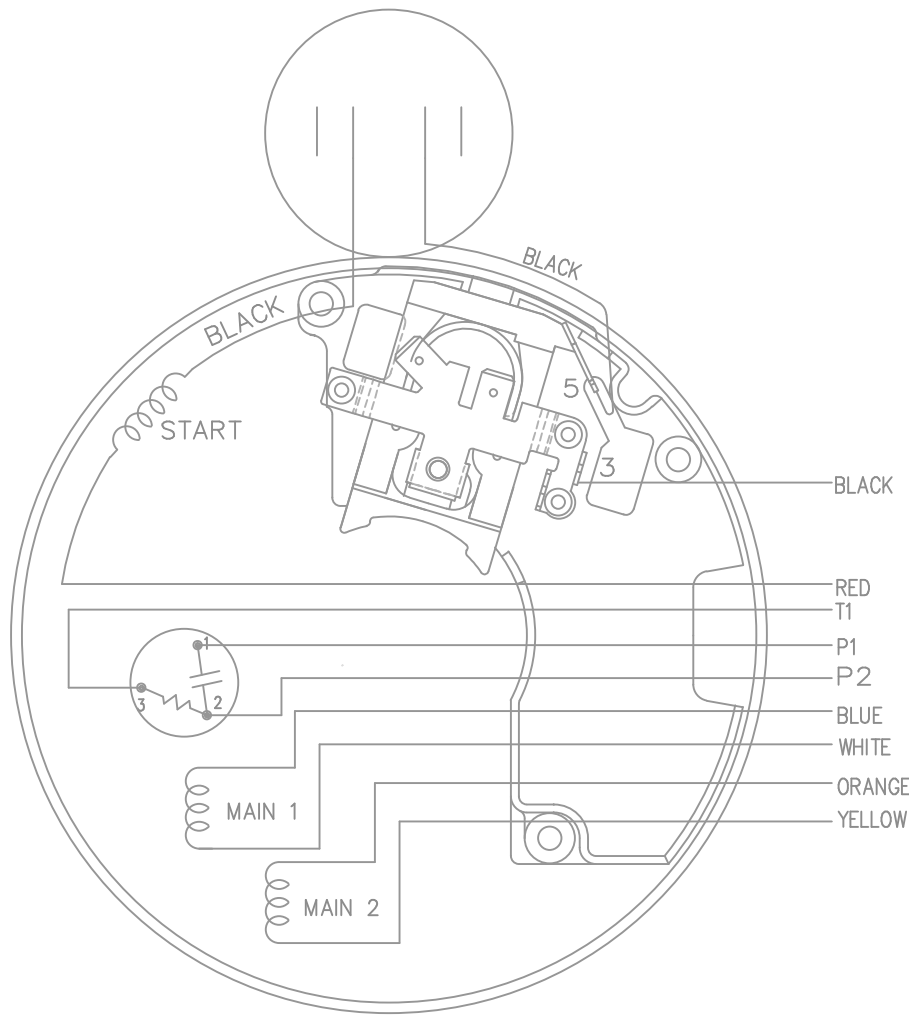
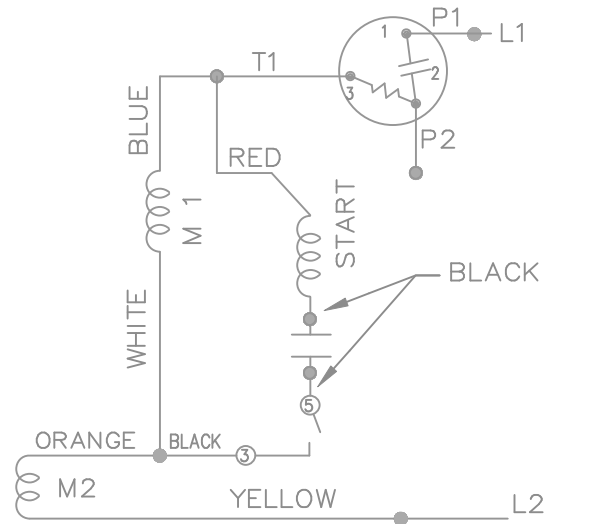
| DASH | C | BS |
|------|-------|------|
| 656 | 11.82 | 2.40 |
| 706 | 12.32 | 2.90 |
| 756 | 12.82 | 3.40 |

| NO. | REVISION | BY & DATE | CHK | TOLERANCES UNLESS SPECIFIED | | FINISH | MAT'L. | ELECTRIC MOTORS GEARMOTORS AND DRIVES | DRAWN SVL 2-18-2013 | |
|---|----------|-----------|-----|-----------------------------|-------------|----------|---------------------------------|---|---------------------|----------------------|
| | | | | DEC. | INCHES | | | | CHK | APPD |
| | | | | .X | \pm .1 | | |  | SCALE | 3=8 |
| | | | | .XX | \pm .03 | TITLE | OUTLINE | | REF | |
| | | | | .XXX | \pm .005 | | 56 FRAME - BB - TEFC - 1 ϕ | | FMF | MU112210 |
| | | | | .XXXX | \pm .0005 | | | | PREV | |
| | | | | ANG | \pm 7'30" | | | | | |
| | | | RFP | 2-18-2013 | | CAD FILE | 100137LE | SIZE | A | DRAWING NO. 100137LE |
| THIS DRAWING IN DESIGN AND DETAIL IS OUR PROPERTY AND MUST NOT BE USED EXCEPT IN CONNECTION WITH OUR WORK ALL RIGHTS OF DESIGN AND INVENTION ARE RESERVED THIS IS AN ELECTRONICALLY GENERATED DOCUMENT - DO NOT SCALE THIS PRINT Dealers Industrial Equipment -- Visit https://DealersElectric.com or call (908) 688-1966 for all of your electric motor & VFD needs! | | | | | | | | PAGE | 1 OF 1 | REV. |

LOW VOLTAGE - CCW

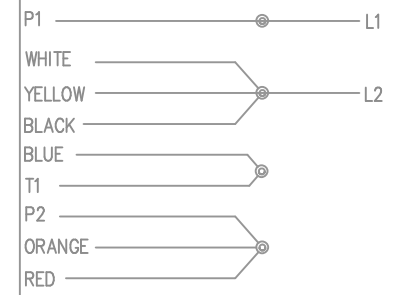


HIGH VOLTAGE - CCW

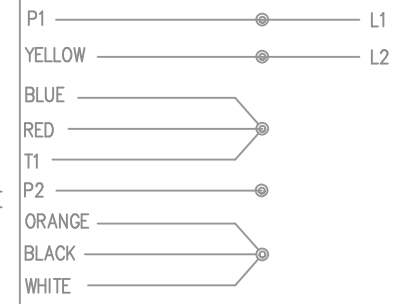


DUAL VOLTAGE
CAPACITOR START
OVERLOAD
SELECT ROTATION


LOW VOLT. CCW ROT.



HIGH VOLT. CCW ROT.



FOR CW ROTATION
EITHER VOLTAGE
INTERCHANGE RED
WITH BLACK

| | | | | TOLERANCES UNLESS SPECIFIED | |  ELECTRIC MOTORS GEARMOTORS AND DRIVES | DRAWN NJS 09-03-2002 | | | |
|--|-------------|-----------|----------------|-----------------------------|--------------|---|----------------------|--------------------------|-----------|--------|
| | | | | DEC. | INCHES | | CHK ML 09-04-2002 | | | |
| | | | | .X | ±.1 | | APPD GK 09-09-2002 | SCALE 5=8 | | |
| | | | | .XX | ±.02 | | REF | | | |
| | | | | .XXX | ±.005 | | FMF | PREV | | |
| 1 | NEW DRAWING | MU43222 | NJS 09-09-2002 | ML | .XXXX ±.0005 | MAT'L. | | | | |
| NO. | REVISION | BY & DATE | CHK | ANG | ±7'30" | FINISH | | | | |
| THIS DRAWING IN DESIGN AND DETAIL IS OUR PROPERTY AND MUST NOT BE USED EXCEPT IN CONNECTION WITH OUR WORK ALL RIGHTS OF DESIGN AND INVENTION ARE RESERVED THIS IS AN ELECTRONICALLY GENERATED DOCUMENT - DO NOT SCALE THIS PRINT | | | | RFP | | CAD FILE 102005-52-LE | SIZE A | DRAWING NO. 102005-52-LE | PAGE OF 1 | REV. 1 |
| | | | | DIST | WP | | | | | |



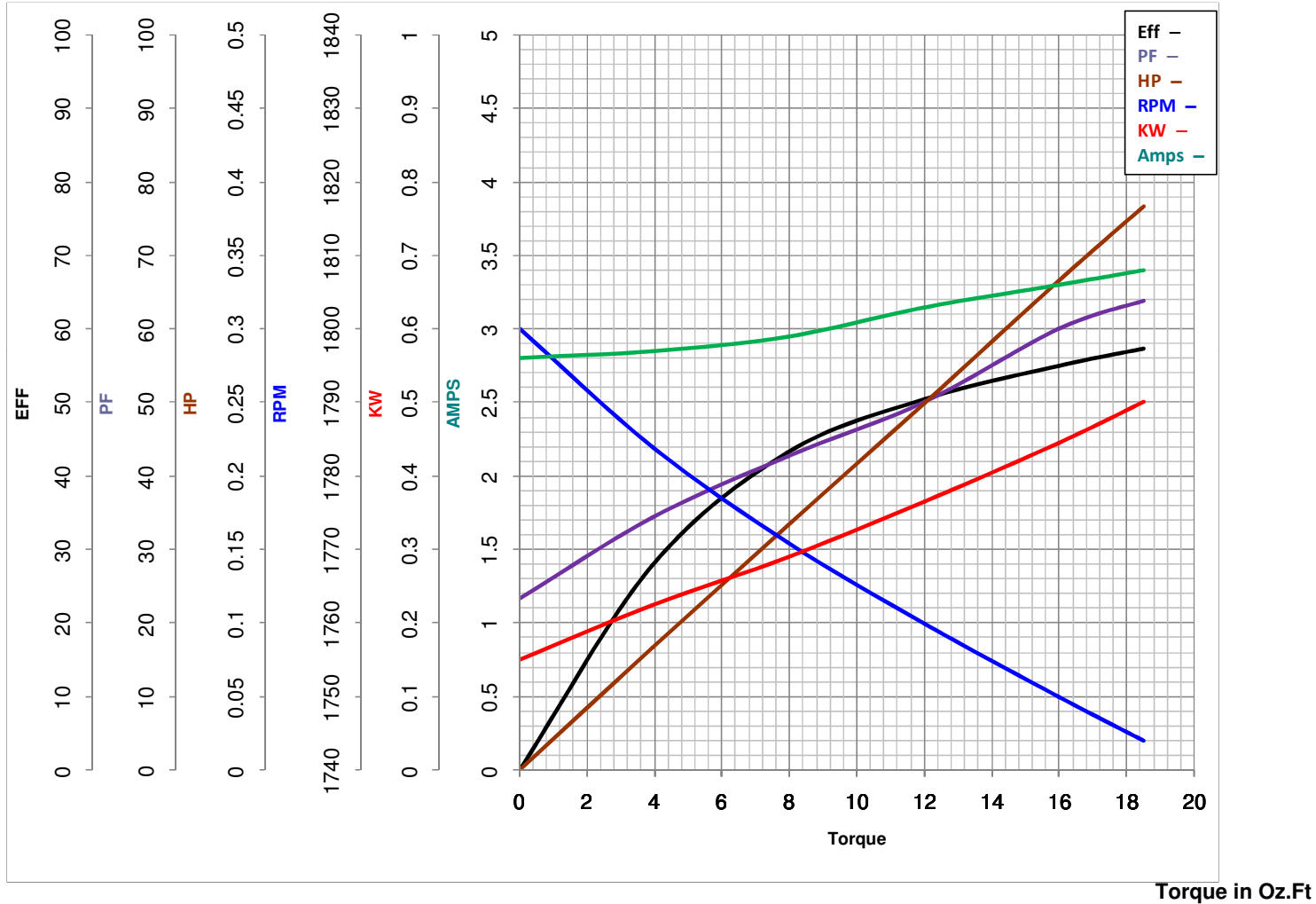
LEESON ELECTRIC CORPORATION

TYPICAL PERFORMANCE CURVE for AC MOTOR

Curve at 230 Volts HP 0.34 PHASE 1
60 HZ
0.333 HP VOLTS 115/208-230

Model No 117862.00
 Catalog No 117862.00

HZ 60 RPM 1725



| | | | | |
|------------------|-------------|-------|------------------|--------------------|
| FL TORQUE | <u>16</u> | Oz.Ft | FL AMPS | <u>6.6/3.1-3.3</u> |
| BD TORQUE | <u>44.6</u> | Oz.Ft | PU TORQUE | <u>39.9</u> Oz.Ft |
| LR TORQUE | <u>55.7</u> | Oz.Ft | LR AMPS | <u>16.2</u> |
| WINDING | ZC406-3 | | Date | 3/14/2018 |