

PRODUCT INFORMATION PACKET



Model No: C6T17FB163A

Catalog No: 117772.00

117772.00..1/2HP..1725/1425RPM.56.TEFC.230/460V.3PH.60/50HZ.CONT.40C.1.25SF.RIGID.C6T17FB163
.....FARM DUTY.NONE.....

Agricultural



Regal and Leeson are trademarks of Regal Beloit Corporation or one of its affiliated companies.

©2018 Regal Beloit Corporation, All Rights Reserved. MC017097E



Product Information Packet: Model No: C6T17FB163A, Catalog No:117772.00
 117772.00..1/2HP..1725/1425RPM.56.TEFC.230/460V.3PH.60/50HZ.CONT.40C.1.25SF.RIGID.C6T17FB163.....FAR
 M DUTY.NONE.....



Nameplate Specifications

Output HP	0.50 Hp	Output KW	0.37 kW
Frequency	60 Hz	Voltage	208-230/460 V
Current	1.8-1.6/0.80 A	Speed	1725 rpm
Service Factor	1.25	Phase	3
Efficiency	80 %	Duty	Continuous
Insulation Class	F	Design Code	B
KVA Code	L	Frame	56
Enclosure	Totally Enclosed Fan Cooled	Overload Protector	No
Ambient Temperature	40 °C	Drive End Bearing Size	6203
Opp Drive End Bearing Size	6203	UL	Recognized
CSA	Y	CE	N
IP Code	43		

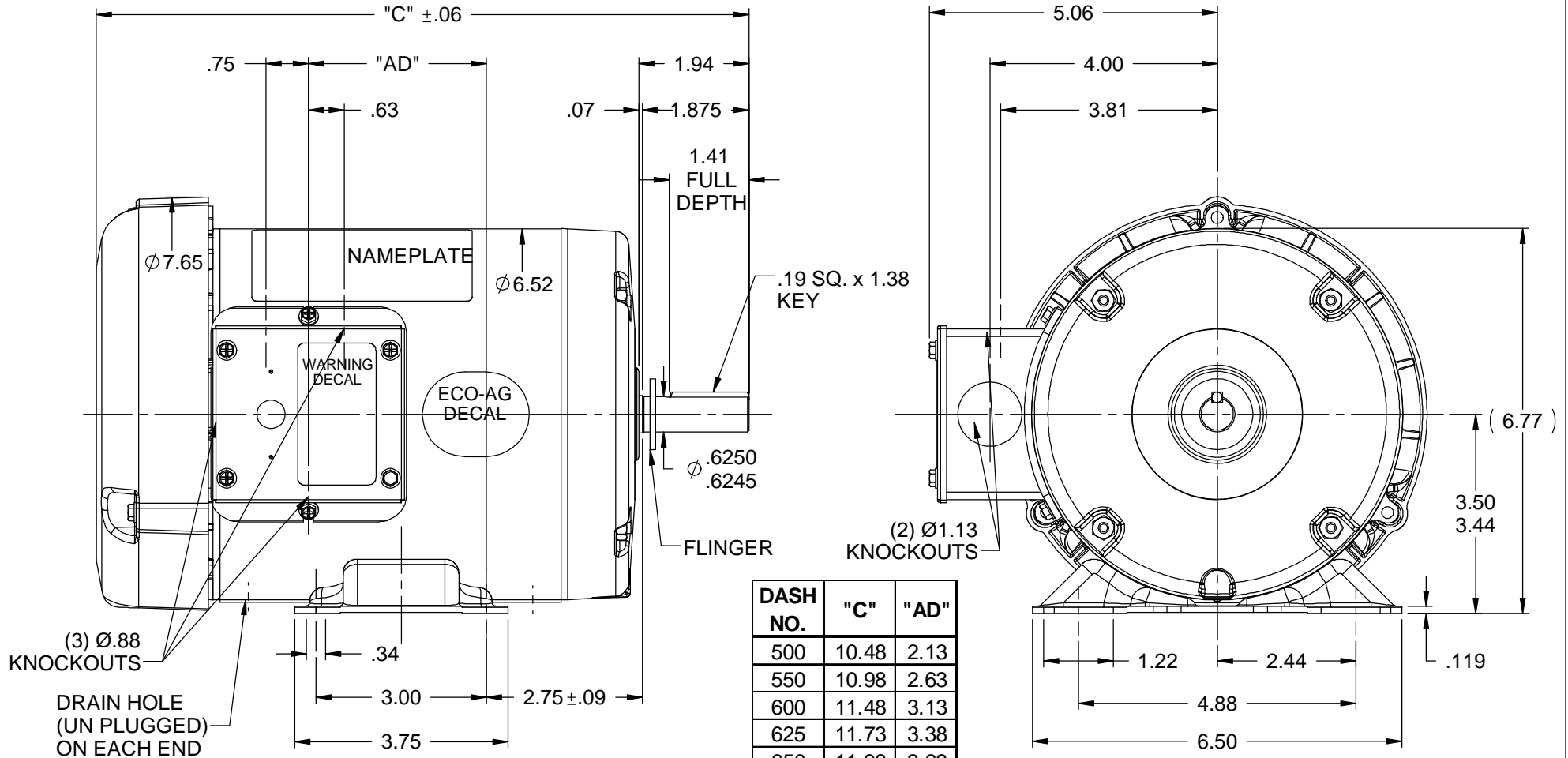
Technical Specifications

Electrical Type	Squirrel Cage Induction Run	Starting Method	Across The Line
Poles	4	Rotation	Reversible
Mounting	Rigid base	Motor Orientation	HORIZONTAL
Drive End Bearing	BALL	Opp Drive End Bearing	BALL
Frame Material	Rolled Steel	Shaft Type	NEMA 56
Overall Length	10.98 in	Frame Length	5.50 in
Shaft Diameter	0.625 in	Shaft Extension	1.88 in
Assembly/Box Mounting	F1 ONLY		
Outline Drawing	029032-550	Connection Diagram	005010.20

This is an uncontrolled document once printed or downloaded and is subject to change without notice. Date Created: 10/15/2018


RBC PROPRIETARY AND CONFIDENTIAL INFORMATION

This document is the property of REGAL BELOIT CORPORATION ("RBC") including its subsidiaries and divisions and contains proprietary information of RBC. This document is loaned on the express condition that neither it nor the information contained therein shall be disclosed to others without the express written consent of RBC, and that the information shall be used by the recipient only as approved expressly by RBC. This document shall be returned to RBC upon its request. This document may be subject to certain restrictions under U.S. export control laws and regulations.



DASH NO.	"C"	"AD"
500	10.48	2.13
550	10.98	2.63
600	11.48	3.13
625	11.73	3.38
650	11.98	3.63
700	12.48	4.13
750	12.98	4.63

NOTES:
1) GASKETS THROUGHOUT

				TOLERANCES UNLESS SPECIFIED		 REGAL-BELOIT CORPORATION		DRAWN VS 5/31/2012				
				DEC	INCHES			CHK				
				.X	±.1			APPR				
				.XX	±.03			SCALE 3:8				
				.XXX	±.005			REF 028781				
				.XXX	±.0005	MAT'L		FMF				
				NO	REVISION	BY & DATE	CHK	ANG	±1/2°	FINISH GENERAL PURPOSE	PAGE OF	
				THIRD ANGLE PROJECTION		RFP		PREV		SIZE	DRAWING NO	REV
										A	029032	

VIEW FROM OUTSIDE OF MOTOR AT SWITCH END. Uncontrolled Copy



LINE LEADS



VOLTAGE	L1	L2	L3	JOIN & INSULATE
HIGH	T1	T2	T3	(T4,T7) (T5,T8) (T6,T9)
LOW	T1,T7	T2,T8	T3,T9	T4,T5,T6

DRAWING REVISION **G** REVISION BY **MVG** DATE **04/05/2017**

ECO **ECO-0121253** APPROVED BY **SM** DATE **04/05/2017**

ECO DESCRIPTION
ADDED P1 & P2 FOR TSTAT

COPYRIGHT REGAL BELOIT AMERICA, INC. ALL RIGHTS RESERVED.
PROPRIETARY AND CONFIDENTIAL INFORMATION - THIS DOCUMENT IS THE PROPERTY OF
REGAL BELOIT AMERICA, INC. ('OWNER') AND CONTAINS OWNER'S PROPRIETARY
INFORMATION. ANY PERSON, CORPORATION OR OTHER FIRM RECEIVING IT IS DEEMED,
BY RECEIVING IT, TO AGREE THAT IT, AND/OR ANY PART OF IT, SHALL NOT BE DISCLOSED
TO ANY PERSON, CORPORATION OR OTHER ENTITY, DUPLICATED, AND/OR USED, EXCEPT
AS EXPRESSLY APPROVED IN WRITING IN ADVANCE BY OWNER. THIS DOCUMENT SHALL
BE RETURNED TO OWNER UPON REQUEST. IT MAY BE SUBJECT TO CERTAIN
RESTRICTIONS UNDER APPLICABLE EXPORT CONTROL LAWS AND REGULATIONS.

TOLERANCES UNLESS OTHERWISE SPECIFIED:

DEC.	INCH	mm	ANGLE
.X	±0.1	[±2.5]	±0.5°
.XX	±0.01	[±0.25]	
.XXX	±0.005	[±0.127]	
.XXXX	±0.0005	[±0.0127]	

REMOVE BURRS & BREAK SHARP
EDGES: .003/.015 [.076/.381] X 45°
CORNER FILLETS: R.02 [.51]
MACHINED SURFACES: 125/3.2
INCH/mm

mm SHOWN IN [BRACKETS]

DRAWN BY **DBT 12/16/97**

DATE

APPROVED BY **KH 12/17/97**

DATE

REFERENCE

THIRD ANGLE PROJECTION

REGAL™ Regal Beloit America, Inc.

DESCRIPTION
CONN DIAGRAM-EXTERNAL
3 PHASE WITH PROTECTOR

MATERIAL **DECAL - 004014 (TSTAT) - 080582** PROCESS/FINISH **STOCK**

SIZE **A** DRAWING NUMBER **00501020** SHEET **1 OF 1**



CERTIFICATION DATA SHEET

P.O. BOX 8003
WAUSAU, WI 54401-8003
PH. 715-675-3311

DATA VOLTS: 460

CONN. DIAGRAM: 005010.20
OUTLINE: 029032-550
WINDING: T634443

FR 3

CAT #:

117772.00

TYPICAL MOTOR PERFORMANCE DATA

HP	KW	SYNC RPM	FL RPM	FRAME	ENCLOSURE	TYPE	KVA CODE	DESIGN	
0.5	0.37	1800	1751	56	TEFC	NA	L	B	
PH	HZ	VOLTS	AMPS	START TYPE	DUTY	INSL	S.F.	AMB	ELEV.
3	60/50	208-230/460#190/380	1.8-1.6/.8&2/1	ACROSS THE LINE	CONT	F	1.15	40	3300
F.L. EFF		80.2	3/4 LD EFF	79.9	1/2 LD EFF	75.8	GTD EFF	ELECT. TYPE	
F.L. PF		73.0	3/4 LD PF	67.1	1/2 LD PF	55.1	0.0	SQ CAGE IND RUN	
F.L. TORQUE		LR AMPS @ 460 V		L.R. TORQUE		B.D. TORQUE		F.L. RISE (°C)	
384 LB-FT		5.8		1,152 LB-FT		300%		1,472 LB-FT	
PRESSURE @		POWER	ROTOR WK²	MAX. LOAD WK²	SAFE STALL TIME	STARTS/HOUR	MOTOR WGT		
0 DBA		9 DBA	0.08 LB-FT²	0 LB-FT²	0 SEC.	0	0 LB.		

*** SUPPLEMENTAL INFORMATION ***

DE BRACKET TYPE	ODE BRACKET TYPE	MOUNT TYPE	MOTOR ORIENTATION	SEVERE DUTY	HAZARDOUS LOCATION	DRIP COVER	SCREENS	PAINT
STANDARD	STANDARD	RIGID	HORIZONTAL	NO	NONE	NO	NONE	GREEN (ENAMEL)
BEARINGS	GREASE	SHAFT TYPE	SPECIAL DE	SPECIAL ODE	SHAFT	MATERIAL	FRAME MATERIAL	
BALL BALL 6203	POLYREX EM	STANDARD 56	NONE	NONE	1144	STRESSPROOF (C-223)	ROLLED STEEL	
THERMOSTATS	PROTECTORS	WDG RTD's	BRG RTD's	THERMOSTATS	CONTROL	SPACE HEATERS		
TSTATS (N/C)	NOT	NONE	NONE	NONE	FALSE	NA		
R1 (ohms/ph)	R2 (ohms/ph)	X1 (ohms/ph)	X2 (ohms/ph)	Xm (ohms/ph)	VIBRATION (in/sec)	FLOAT		
0	0	0	0	0	0.080	ODE		

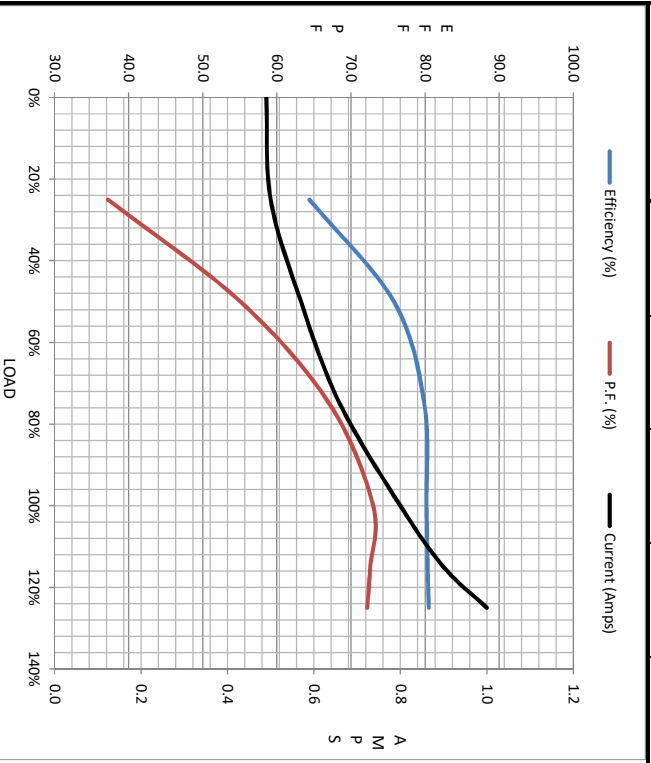
* NOTES *		INVERTER TORQUE: NONE	ENCODER: NONE
		INV. HP SPEED RANGE: NONE	NONE PPR
		BRAKE: NONE	
		FT-LB: NONE	
		VOLTAGE: NONE	
		HAZ: NONE	

DATE: 1/31/2018	UL: Y:(LEESON UL REC)
-----------------	-----------------------



Motor Load Data									
Load	0%	25%	50%	75%	100%	115%	125%	LR	
Current (Amps)	0.49	0.50	0.57	0.66	0.80	0.90	1.00	5.8	
Torque (ft-lb)	0.00	96.0	192	288	384	6,915	480	1,152	
RPM	1800	1790	1778	1765	1751	1,746	1738	0	
Efficiency (%)		64.4	75.8	79.9	80.2	80.4	80.5	80.5	
P.F. (%)	19.5	37.2	55.1	67.1	73.0	72.6	72.2	0.0	

Motor Speed Data							Information Block																												
	LR	Pull-Up	BD	Rated	Idle		HP	Sync. RPM	Frame	Enclosure	Construction	Voltage	Frequency	Design	LR Code letter	Service Factor	Temp Rise @ FL	Duty	Ambient	Elevation	Rotor/Shaft wk ²	Rel Wdg	Sound Pressure @ 1M	VFD Rating	Outline Dwg	Conn. Diag	Additional Specifications:	EQUIV CKT (OHMS / PHASE)	R1	R2	X1	X2	Xm		
Speed (RPM)	0	200	1250	1751	1800		0.5	1800	56	TEFC	NA	208-230/460#190/380	60	B	L	1.15	25	CONT	40 °C	1,000	0.08	FR	0	dB(A)	NONE	029032-550	005010.20								
Current (Amps)	5.8	5.3	3.5	0.80	0.49																														
Torque (ft-lb)	1,152	1,136	1,472	384	0.00																														



EQUIV CKT (OHMS / PHASE)	
R1	0.0000
R2	0.0000
X1	0.0000
X2	0.0000
Xm	0.0000

