

PRODUCT INFORMATION PACKET



Model No: U6K34DC19A

Catalog No: 117715.00

..3HP..3600RPM.56C..ODP..230V..1PH.60HZ..CONT.40C..C-FACE.....JET PUMP.....

Jet Pump



Regal and Leeson are trademarks of Regal Beloit Corporation or one of its affiliated companies.

©2018 Regal Beloit Corporation, All Rights Reserved. MC017097E





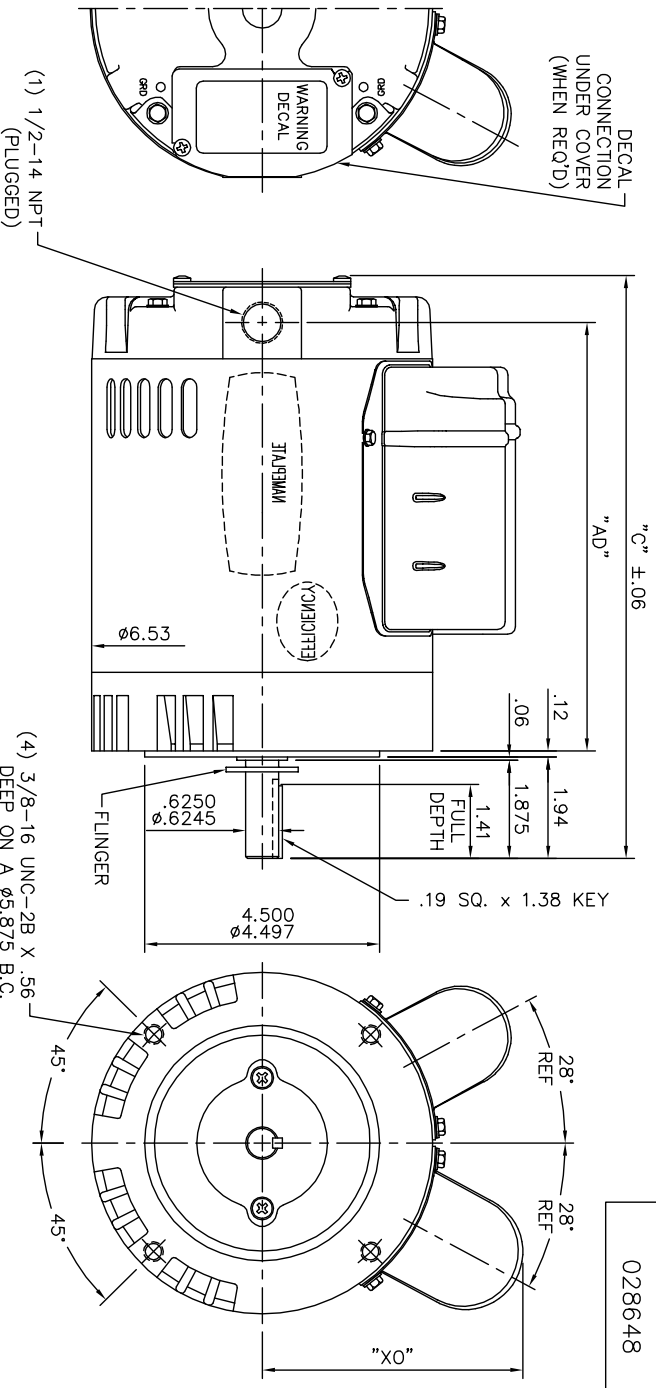
Nameplate Specifications

Output HP	3 Hp	Output KW	2.2 kW
Frequency	60 Hz	Voltage	230 V
Current	12.8 A	Speed	3450 rpm
Service Factor	1.15	Phase	1
Efficiency	82.5 %	Duty	Continuous
Insulation Class	B	Design Code	L
KVA Code	J	Frame	56C
Enclosure	Drip Proof	Overload Protector	Automatic
Ambient Temperature	40 °C	Drive End Bearing Size	6304
Opp Drive End Bearing Size	6203	UL	No
CSA	Y	CE	N
IP Code	22		

Technical Specifications

Electrical Type	Capacitor Start Capacitor Run	Starting Method	Across The Line
Poles	2	Rotation	Selective Counterclockwise
Mounting	Round	Motor Orientation	HORIZONTAL
Drive End Bearing	BALL	Opp Drive End Bearing	BALL
Frame Material	Rolled Steel	Shaft Type	NEMA 56
Overall Length	13.55 in	Frame Length	8.50 in
Shaft Diameter	0.625 in	Shaft Extension	1.88 in
Assembly/Box Mounting	F1 ONLY		
Outline Drawing	028648-850B	Connection Diagram	005056.02

This is an uncontrolled document once printed or downloaded and is subject to change without notice. Date Created: 10/15/2018



028648

MOTOR FEATURES
GASKETS THROUGHOUT
CAST IRON C-FACE

DASH NO.	"C"	"AD"	CAP. DASH	"XO"
650	11.55	8.69	A	4.33
700	12.15	9.19	B	4.78
750	12.55	9.69	C	5.00
800	13.15	10.19		
850	13.55	10.69		

MAXIMUM FACE RUNOUT TO BE .004 T.I.R.
MAXIMUM PILOT ECCENTRICITY TO BE .004 T.I.R.
PERMISSIBLE SHAFT RUNOUT TO BE .002 T.I.R.

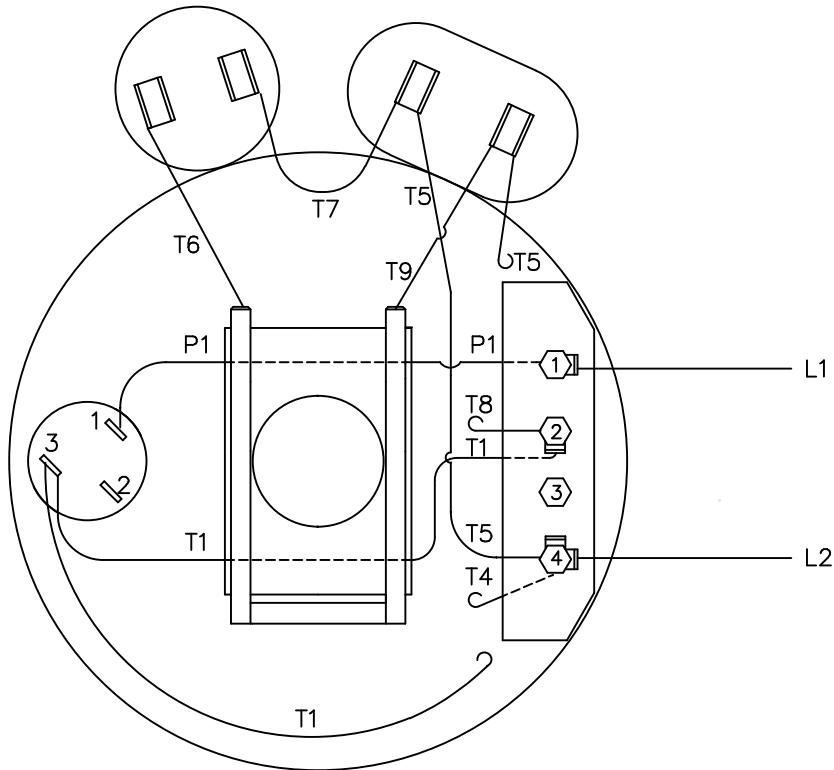


ELECTRIC MOTORS
GEARMOTORS
AND DRIVES

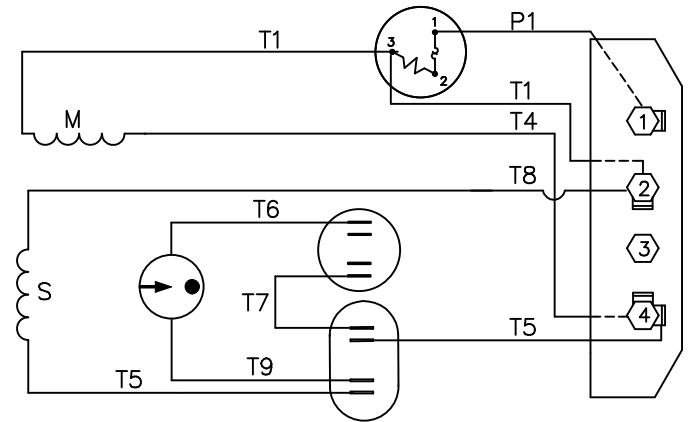
NO.	REVISION	BY & DATE	CHK	ANG	FINISH	CAD FILE	SIZE	DRAWING NO.	REV.
02	UPDATED TO NEW CONSTRUCTION MU104971	JD 10/19/2011		.XXX	±.005		A	028648	02
01	REMOVED GROUNDING LUG ISAAC 11-4657	GWS 9/29/11		.XXX	±.005		A	028648	02

THIS DRAWING IN DESIGN AND DETAIL IS OUR PROPERTY AND MUST NOT BE USED EXCEPT IN CONNECTION WITH OUR WORK ALL RIGHTS OF DESIGN AND INVENTION ARE RESERVED
THIS IS AN ELECTRONICALLY GENERATED DOCUMENT - DO NOT SCALE THIS PRINT

VIEW FROM OUTSIDE OF MOTOR AT SWITCH END.

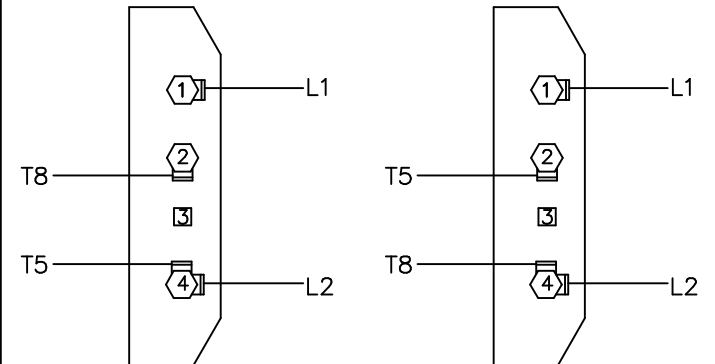


LINE LEADS



C.C.W. L.E. ROTATION

C.W. L.E. ROTATION



TOLERANCES UNLESS OTHERWISE SPECIFIED

DECIMALS

.00 ± .01

.000 ± .005

.0000 ± .0005

FRACTIONS ± 1/64

ANGLES ± 1/2°

INCH/MM

LEESON ELECTRIC CORPORATION

DRAWN JRW 12/12/75

CH'K'D. TEM

APPR. 12/17/75

SCALE 1=1

REF.

FMF A6K34DC1

TITLE EXTERNAL WIRING DIAGRAM
TYPE "K" W/ PROTECTOR

MAT'L. DECAL - 004112

BRF

FINISH

SIZE

DRAWING NO.

A

005056-02

10	REDRAWN ON CAD	DBT	06/23/97
NO.	REVISION	BY	DATE

THIS DRAWING IN DESIGN AND DETAIL IS OUR PROPERTY AND MUST NOT BE USED EXCEPT IN CONNECTION WITH OUR WORK ALL RIGHTS OF DESIGN AND INVENTION ARE RESERVED

