

# PRODUCT INFORMATION PACKET



Model No: C6T17FC227A

Catalog No: 117712.00

117712.00..3/4HP..1725RPM.56C.TEFC.230/460V.3PH.60HZ.CONT.40C.1.15SF.C-  
FACE.C6T17FC227.....UNIT HANDLING.NONE.....

Unit Handling



Regal and Leeson are trademarks of Regal Beloit Corporation or one of its affiliated companies.

©2018 Regal Beloit Corporation, All Rights Reserved. MC017097E



Product Information Packet: Model No: C6T17FC227A, Catalog No:117712.00  
 117712.00..3/4HP..1725RPM.56C.TEFC.230/460V.3PH.60HZ.CONT.40C.1.15SF.C-FACE.C6T17FC227.....UNIT  
 HANDLING.NONE.....



### Nameplate Specifications

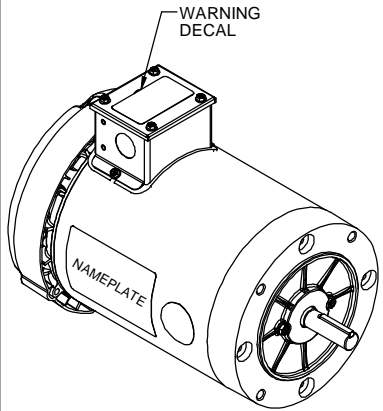
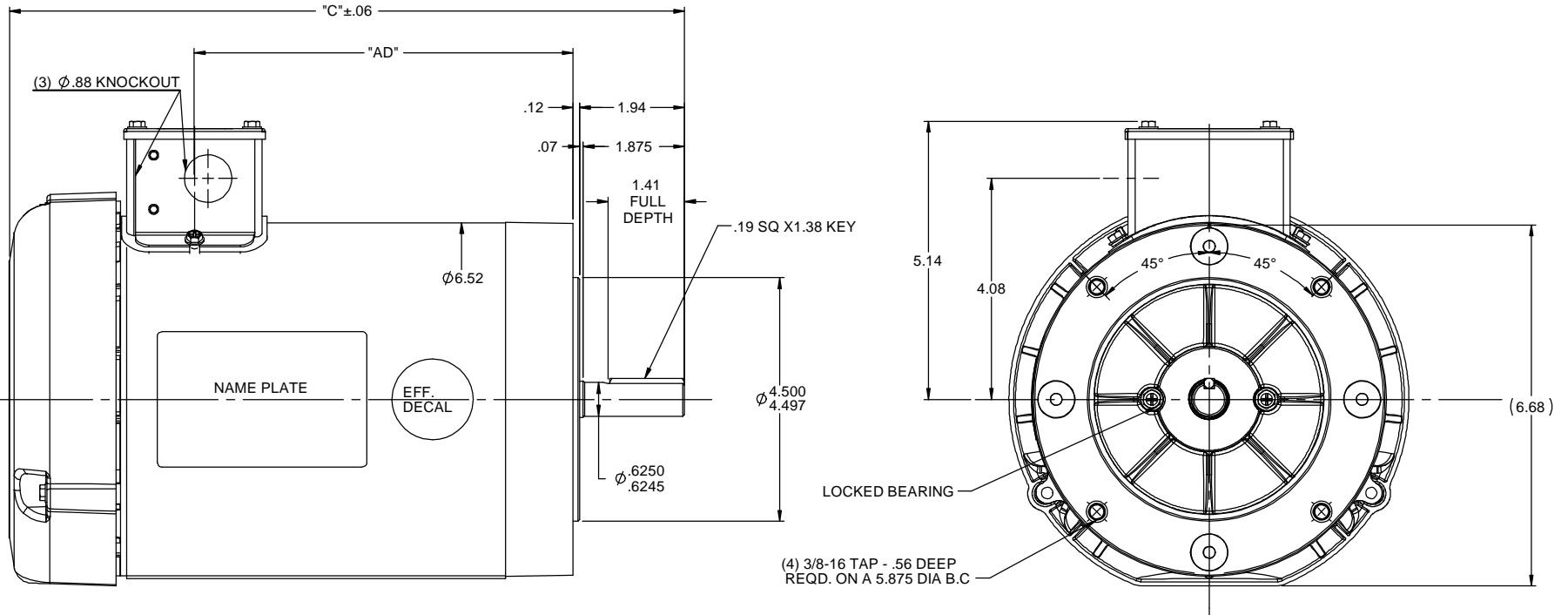
Output HP	<b>0.75 Hp</b>	Output KW	<b>0.56 kW</b>
Frequency	<b>60 Hz</b>	Voltage	<b>208-230/460 V</b>
Current	<b>2.8/1.4 A</b>	Speed	<b>1725 rpm</b>
Service Factor	<b>1.15</b>	Phase	<b>3</b>
Efficiency	<b>77 %</b>	Duty	<b>Continuous</b>
Insulation Class	<b>F</b>	Design Code	<b>B</b>
KVA Code	<b>K</b>	Frame	<b>56C</b>
Enclosure	<b>Totally Enclosed Fan Cooled</b>	Overload Protector	<b>No</b>
Ambient Temperature	<b>40 °C</b>	Drive End Bearing Size	<b>6203</b>
Opp Drive End Bearing Size	<b>6203</b>	UL	<b>Recognized</b>
CSA	<b>Y</b>	CE	<b>N</b>
IP Code	<b>43</b>		

### Technical Specifications

Electrical Type	<b>Squirrel Cage Induction Run</b>	Starting Method	<b>Across The Line</b>
Poles	<b>4</b>	Rotation	<b>Reversible</b>
Mounting	<b>Round</b>	Motor Orientation	<b>HORIZONTAL</b>
Drive End Bearing	<b>BALL</b>	Opp Drive End Bearing	<b>BALL</b>
Frame Material	<b>Rolled Steel</b>	Shaft Type	<b>NEMA 56</b>
Overall Length	<b>10.48 in</b>	Frame Length	<b>5.00 in</b>
Shaft Diameter	<b>0.625 in</b>	Shaft Extension	<b>1.88 in</b>
Assembly/Box Mounting	<b>F3</b>		
Outline Drawing	<b>607-0032-500</b>	Connection Diagram	<b>005010.01</b>

**This is an uncontrolled document once printed or downloaded and is subject to change without notice. Date Created: 10/15/2018**

RBC PROPRIETARY AND CONFIDENTIAL INFORMATION  
 This document is the property of REGAL BELOIT CORPORATION ("RBC") including its subsidiaries and divisions and contains proprietary information of RBC. This document is loaned on the express condition that neither it nor the information contained therein shall be disclosed to others without the express written consent of RBC, and that the information shall be used by the recipient only as approved expressly by RBC. This document shall be returned to RBC upon its request. This document may be subject to certain restrictions under U.S. export control laws and regulations.



MAXIMUM FACE RUNOUT TO BE .004 T.I.R  
 MAXIMUM PILOT ECCENTRICITY .004 T.I.R  
 PERMISSIBLE SHAFT RUNOUT .002 T.I.R

DASH NO.	"C"	"AD"
500	10.48	5.00
550	10.98	5.50
600	11.48	6.00
650	11.98	6.50
700	12.48	7.00
750	12.98	7.50
800	13.48	8.00

NOTE:  
 1) GASKETS THROUGHOUT

TOLERANCES UNLESS SPECIFIED		LEESON	ELECTRIC MOTORS GEARMOTORS AND DRIVES	DRAWN	JD 11/17/2011
DEC	INCHES			CHK	VS 11/17/2011
X	±.1			APPR	
XX	±.03	TITLE	OUTLINE - 56C FRAME	SCALE	1:2
XXX	±.005		C-FACE T.E.F.C	REF	607-0029
XXXX	±.0005	MATL	GENERAL PURPOSE	FMF	117711.00
NO	REVISION	BY & DATE	CHK	ANG	±1/2°
	THIRD ANGLE PROJECTION		RFP	PREV	
			NETWORK FILE NAME	607-0032	
			SIZE	B	
			DRAWING NO	607-0032	
			REV		

005010-01

VIEW FROM OUTSIDE OF MOTOR AT SWITCH END.



VOLTAGE	L1	L2	L3	JOIN & INSULATE
HIGH	T1	T2	T3	(T4,T7) (T5,T8) (T6,T9)
LOW	T1,T7	T2,T8	T3,T9	T4,T5,T6

				TOLERANCES UNLESS SPECIFIED		<b>Regal Beloit America, Inc.</b>		DRAWN RDW 04/12/02			
				DEC.	INCHES			CHK			
				.X	±.1			APPD			
				.XX	±.01			SCALE 1=1			
				.XXX	±.005	TITLE		REF FIG.2-51			
A	UPDATED TO REGAL LOGO	SAJ 06/26/15	AJY	.XXXX	±.0005	MAT'L.		FMF			
NO.	REVISION	BY & DATE	CHK	ANG	±1/2"	FINISH		PREV			
THIS DRAWING IN DESIGN AND DETAIL IS OUR PROPERTY AND MUST NOT BE USED EXCEPT IN CONNECTION WITH OUR WORK ALL RIGHTS OF DESIGN AND INVENTION ARE RESERVED THIS IS AN ELECTRONICALLY GENERATED DOCUMENT - DO NOT SCALE THIS PRINT				RFP	04/12/02	CAD FILE		00501001	SIZE	DRAWING NO.	REV.
				DIST		BRF-NLV		A	005010-01	A	



P.O. BOX 8003  
WAUSAU, WI 54401-8003  
PH. 715-675-3311

DATA VOLTS: 460

CERTIFICATION DATA SHEET

CONN. DIAGRAM: 005010.01  
OUTLINE: 607-0032-500  
WINDING: T634188

CAT #: 117712.00

FR 3

TYPICAL MOTOR PERFORMANCE DATA

HP	KW	SYNC RPM	FL RPM	FRAME	ENCLOSURE	TYPE	KVA CODE	DESIGN							
0.75	0.56	1800	1745	56C	TEFC	TFR	K	B							
PH	HZ	VOLTS	AMPS	START TYPE	DUTY	INSL	S.F.	AMB	ELEV.						
3	60	208-230/460	2.7-2.8/1.4	ACROSS THE LINE	CONT	F	1.15	40	3300						
F.L. EFF	F.L. PF	77.3	64.6	3/4 LD EFF	3/4 LD PF	75.6	54.7	1/2 LD EFF	1/2 LD PF	70.3	42.5	GTD EFF	0.0	ELECT. TYPE	SO CAGE IND RUN
F.L. TORQUE	574 LB-FT	LR AMPS @ 460 V	8.1	L.R. TORQUE	1,691 LB-FT	295%	2,137 LB-FT	B.D. TORQUE	372%	60	F.L. RISE (°C)				
PRESSURE @ 3	52 DBA	POWER	61 DBA	ROTOR WK²	0.06 LB-FT²	MAX. LOAD WK²	0.1 LB-FT²	SAFE STALL TIME	10 SEC.	STARTS/HOUR	0	MOTOR WGT	0 LB.		

\*\*\* SUPPLEMENTAL INFORMATION \*\*\*

DE BRACKET TYPE	ODE BRACKET TYPE	MOUNT TYPE	MOTOR ORIENTATION	SEVERE DUTY	HAZARDOUS LOCATION	DRIIP COVER	SCREENS	PAINT
C-FACE	STANDARD	ROUND	HORIZONTAL	NO	NONE	NO	NONE	JE-LEESON/ENAM
BEARINGS	GREASE	SHAFT TYPE	SPECIAL DE	SPECIAL ODE	SHAFT MATERIAL	FRAME MATERIAL		
DE ODE	BALL BALL	POLYREX EM	STANDARD 56	NONE	1144 STRESSPROOF (C-223)	ROLLED STEEL		
6203	6203							
THERMOSTATS	PROTECTORS	WDG RTD's	BRG RTD's	THERMISTORS	CONTROL	SPACE HEATERS		
NONE	NOT	NONE	NONE	NONE	FALSE	NA		
R1 (ohms/ph)	R2 (ohms/ph)	X1 (ohms/ph)	X2 (ohms/ph)	Xm (ohms/ph)	VIBRATION (in/sec)	FLOAT ODE		
0	0	0	0	0	0.150			

* N O T E S *		INVERTER TORQUE: NONE	
		INV. HP SPEED RANGE: NONE	
		ENCODER: NONE	
		NONE	
		NONE	
		BRAKE: NONE	
		NONE	
		FT-LB: NA	
		NONE	
		NONE	
		NONE PPR	

DATE:	1/18/2018	VOLTAGE:	NONE	HZ:	
		UL: Y-(LEESON UL REC)			



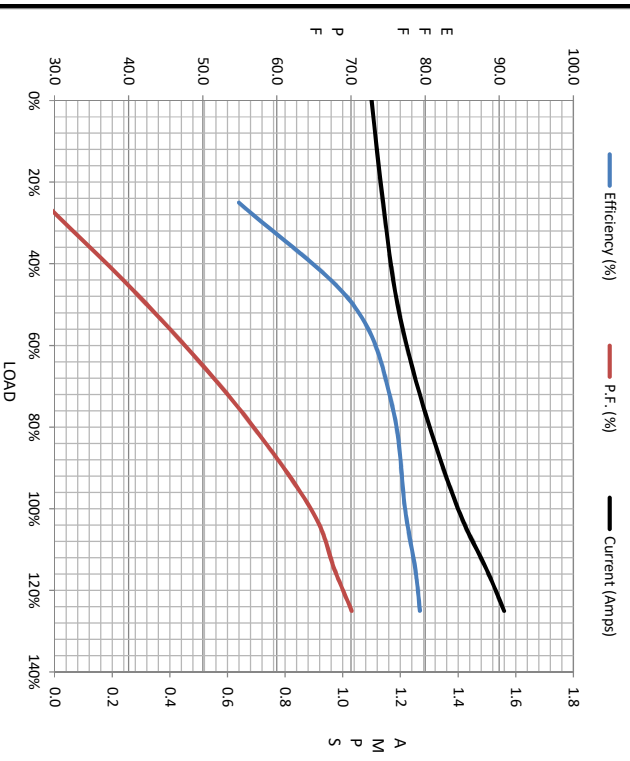
Load	0%	25%	50%	75%	100%	115%	125%	LR
Current (Amps)	1.10	1.14	1.19	1.28	1.40	1.50	1.56	8.1
Torque (ft-lb)	0.00	144	287	431	574	660	718	1,691
RPM	1800	1787	1774	1760	1745	1735	1730	0
Efficiency (%)		54.9	70.3	75.6	77.3	78.7	79.3	
P.F. (%)	13.0	28.6	42.5	54.7	64.6	67.8	70.1	0.0

**Motor Speed Data**

	LR	Pull-Up	BD	Rated	Idle
Speed (RPM)	0	300	1550	1745	1800
Current (Amps)	8.1	8.0	4.9	1.40	1.10
Torque (ft-lb)	1,691	1,643	2,137	574	0.00

**Information Block**

HP	0.8			
Sync. RPM	1800			
Frame	140			
Enclosure	TEFC			
Construction	TFR			
Voltage	208-230/460 V			
Frequency	60 Hz			
Design	B			
LR Code letter	K			
Service Factor	1.15			
Temp Rise @ FL	60 °C			
Duty	CONT			
Ambient	40 °C			
Elevation	1,000 feet			
Rotor/Shaft wk <sup>2</sup>	0.06 LB-Ft <sup>2</sup>			
Ref Wdg	T634188 FR			
Sound Pressure @ 1M	52 dB(A)			
VFD Rating	NONE			
Outline Dwg	607-0032-500			
Conn. Diag	005010.01			
Additional Specifications:				
0				
EQUIV CKT (OHMS / PHASE)				
R1	R2	X1	X2	Xm
0.0000	0.0000	0.0000	0.0000	0.0000



**Speed - Torque Curve**

