

PRODUCT INFORMATION PACKET



Model No: C6T17FC226A

Catalog No: 117711.00

1/2HP..1725RPM.56C.TEFC.230/460V.3PH.60HZ.CONT.40C.1.15SF.C-FACE.C6T17FC226.....UNIT HANDLING.NONE.....

Unit Handling



Regal and Leeson are trademarks of Regal Beloit Corporation or one of its affiliated companies.

©2018 Regal Beloit Corporation, All Rights Reserved. MC017097E



Product Information Packet: Model No: C6T17FC226A, Catalog No:117711.00
 1/2HP..1725RPM.56C.TEFC.230/460V.3PH.60HZ.CONT.40C.1.15SF.C-FACE.C6T17FC226.....UNIT
 HANDLING.NONE.....



Nameplate Specifications

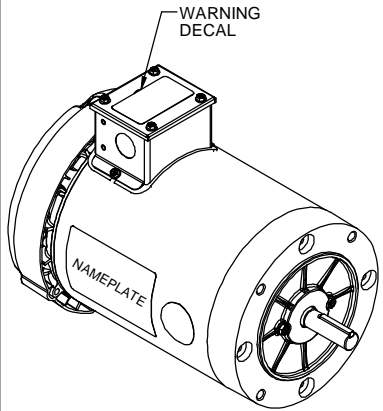
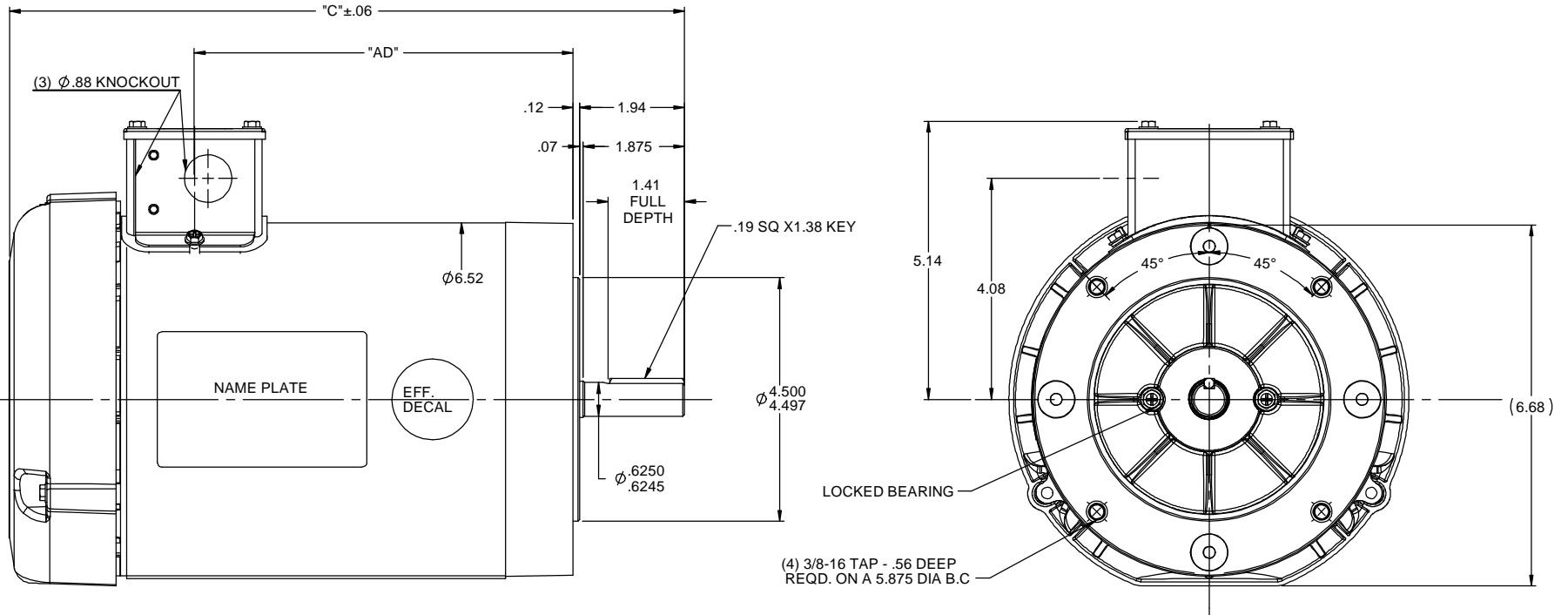
Output HP	0.50 Hp	Output KW	0.37 kW
Frequency	60 Hz	Voltage	208-230/460 V
Current	2.0/1.0 A	Speed	1725 rpm
Service Factor	1.15	Phase	3
Efficiency	74 %	Duty	Continuous
Insulation Class	F	Design Code	B
KVA Code	K	Frame	56C
Enclosure	Totally Enclosed Fan Cooled	Overload Protector	No
Ambient Temperature	40 °C	Drive End Bearing Size	6203
Opp Drive End Bearing Size	6203	UL	Recognized
CSA	Y	CE	N
IP Code	43		

Technical Specifications

Electrical Type	Squirrel Cage Induction Run	Starting Method	Across The Line
Poles	4	Rotation	Reversible
Mounting	Round	Motor Orientation	HORIZONTAL
Drive End Bearing	BALL	Opp Drive End Bearing	BALL
Frame Material	Rolled Steel	Shaft Type	NEMA 56
Overall Length	10.48 in	Frame Length	5.00 in
Shaft Diameter	0.625 in	Shaft Extension	1.88 in
Assembly/Box Mounting	F3		
Outline Drawing	607-0032-500	Connection Diagram	005010.01

This is an uncontrolled document once printed or downloaded and is subject to change without notice. Date Created: 10/15/2018

RBC PROPRIETARY AND CONFIDENTIAL INFORMATION
 This document is the property of REGAL BELOIT CORPORATION (RBC) including its subsidiaries and divisions and contains proprietary information of RBC. This document is loaned on the express condition that neither it nor the information contained therein shall be disclosed to others without the express written consent of RBC, and that the information shall be used by the recipient only as approved expressly by RBC. This document shall be returned to RBC upon its request. This document may be subject to certain restrictions under U.S. export control laws and regulations.



MAXIMUM FACE RUNOUT TO BE .004 T.I.R
 MAXIMUM PILOT ECCENTRICITY .004 T.I.R
 PERMISSIBLE SHAFT RUNOUT .002 T.I.R

DASH NO.	"C"	"AD"
500	10.48	5.00
550	10.98	5.50
600	11.48	6.00
650	11.98	6.50
700	12.48	7.00
750	12.98	7.50
800	13.48	8.00

NOTE:
 1) GASKETS THROUGHOUT

TOLERANCES UNLESS SPECIFIED				LEESON	ELECTRIC MOTORS GEARMOTORS AND DRIVES	DRAWN JD 11/17/2011
NO	REVISION	BY & DATE	CHK			
			X		±.1	VS 11/17/2011
			XX		±.03	APPR
			XXX		±.005	SCALE 1:2
			XXXX		±.0005	REF 607-0029
					FINISH	FMF 117711.00
					±1/2°	PAGE OF
RFP				PREV	607-0032	SIZE B
NETWORK FILE NAME				607-0032	DRAWING NO	607-0032
					REV	

005010-01

VIEW FROM OUTSIDE OF MOTOR AT SWITCH END.



VOLTAGE	L1	L2	L3	JOIN & INSULATE
HIGH	T1	T2	T3	(T4,T7) (T5,T8) (T6,T9)
LOW	T1,T7	T2,T8	T3,T9	T4,T5,T6

				TOLERANCES UNLESS SPECIFIED		Regal Beloit America, Inc.		DRAWN RDW 04/12/02				
				DEC.	INCHES			CHK				
				.X	±.1			APPD				
				.XX	±.01			SCALE 1=1				
				.XXX	±.005	TITLE		REF FIG.2-51				
A	UPDATED TO REGAL LOGO			SAJ	06/26/15	AJY	.XXXX	±.0005	MAT'L. DECAL - 004014	FMF		
NO.	REVISION			BY & DATE	CHK	ANG	±1/2"	FINISH	PREV			
THIS DRAWING IN DESIGN AND DETAIL IS OUR PROPERTY AND MUST NOT BE USED EXCEPT IN CONNECTION WITH OUR WORK ALL RIGHTS OF DESIGN AND INVENTION ARE RESERVED THIS IS AN ELECTRONICALLY GENERATED DOCUMENT - DO NOT SCALE THIS PRINT				RFP	04/12/02		CAD FILE	00501001		SIZE	DRAWING NO.	REV.
				DIST	BRF-NLV				A	005010-01		A

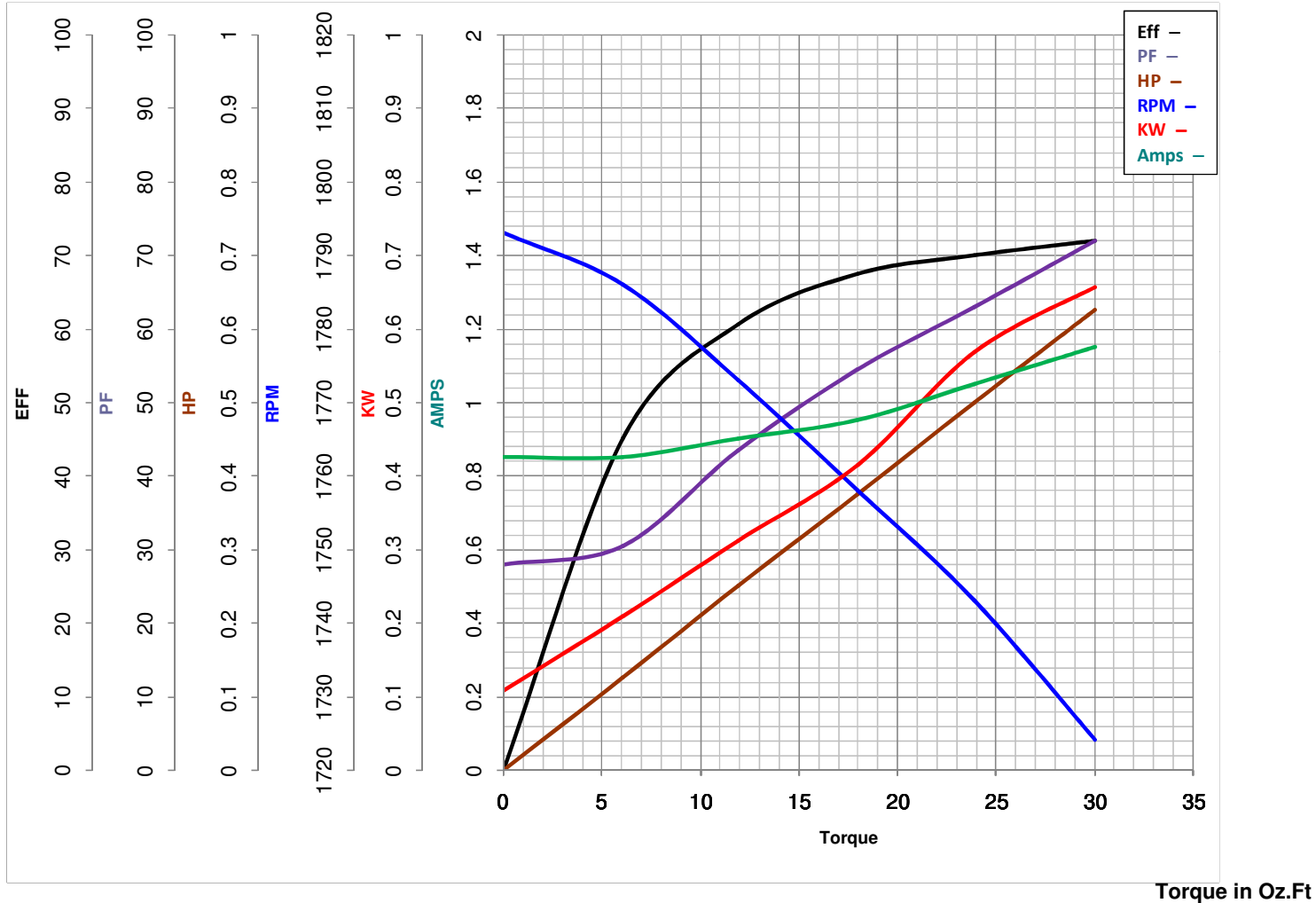


LEESON ELECTRIC CORPORATION
TYPICAL PERFORMANCE CURVE for AC MOTOR

Model No 117711.00

Catalog No 117711.00

Curve at 460 Volts HP 0.50 PHASE 3
60 HZ
0.5 HP VOLTS 208-230/460
HZ 60 RPM 1725



FL TORQUE	<u>23.9</u>	Oz.Ft	FL AMPS	<u>2/1</u>	
BD TORQUE	<u>86.5</u>	Oz.Ft	PU TORQUE	<u>59.0</u>	Oz.Ft
LR TORQUE	<u>60</u>	Oz.Ft	LR AMPS	<u>5.1</u>	
WINDING	T634199-3		Date	5/25/2018	