

# PRODUCT INFORMATION PACKET



Model No: C6T17FK100A

Catalog No: 117708.00

117708.00..3/4HP..1725RPM.56C.TEFC.230/460V.3PH.60HZ.CONT.40C.1.15SF.RIGID-C-FACE.C6T17FK100.....UNIT HANDLING.NONE.....

Unit Handling



Regal and Leeson are trademarks of Regal Beloit Corporation or one of its affiliated companies.

©2018 Regal Beloit Corporation, All Rights Reserved. MC017097E



Product Information Packet: Model No: C6T17FK100A, Catalog No:117708.00  
 117708.00..3/4HP..1725RPM.56C.TEFC.230/460V.3PH.60HZ.CONT.40C.1.15SF.RIGID-C-  
 FACE.C6T17FK100.....UNIT HANDLING.NONE.....



### Nameplate Specifications

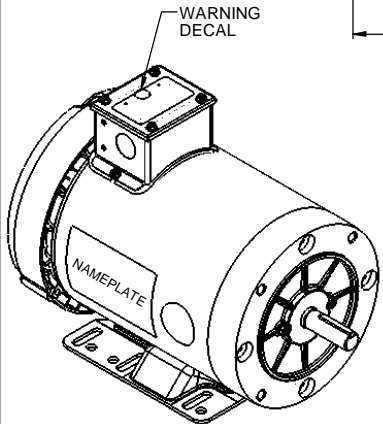
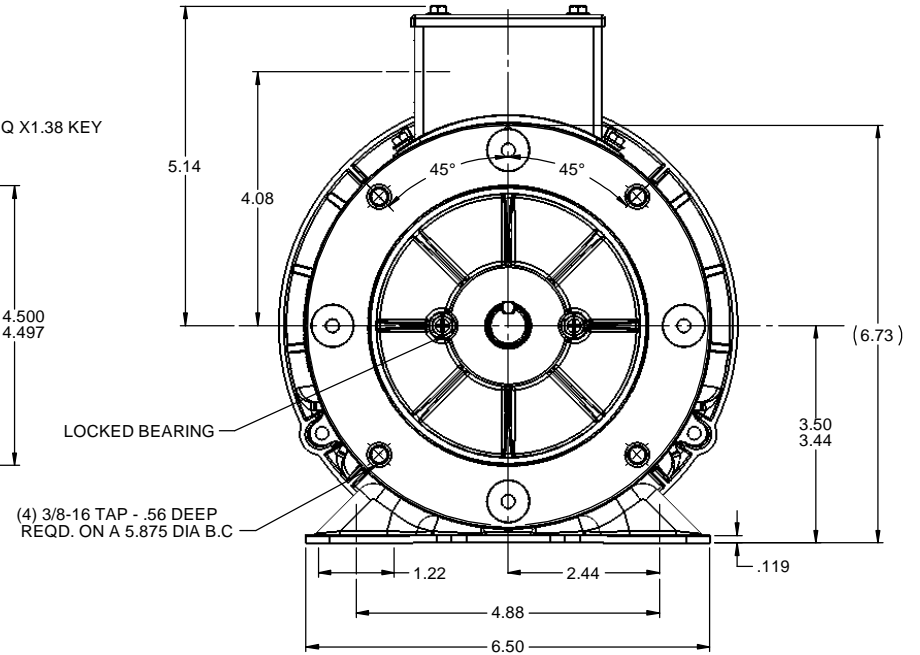
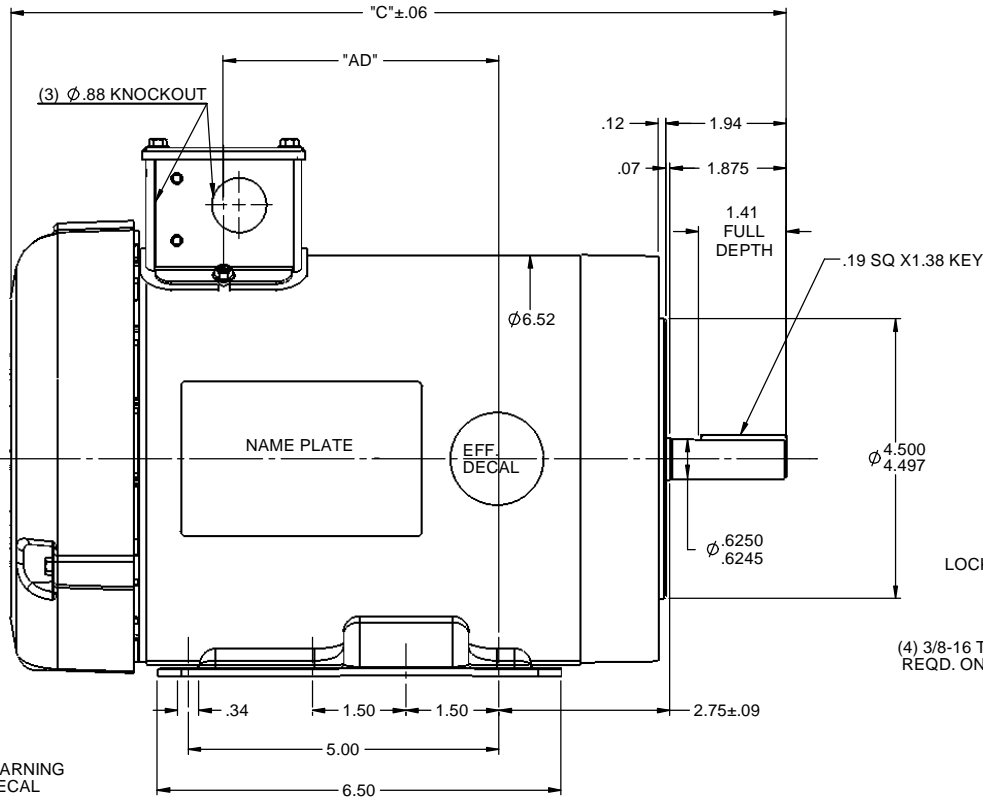
Output HP	<b>0.75 Hp</b>	Output KW	<b>0.56 kW</b>
Frequency	<b>60 Hz</b>	Voltage	<b>208-230/460 V</b>
Current	<b>2.8/1.4 A</b>	Speed	<b>1725 rpm</b>
Service Factor	<b>1.15</b>	Phase	<b>3</b>
Efficiency	<b>77 %</b>	Duty	<b>Continuous</b>
Insulation Class	<b>F</b>	Design Code	<b>B</b>
KVA Code	<b>K</b>	Frame	<b>56HC</b>
Enclosure	<b>Totally Enclosed Fan Cooled</b>	Overload Protector	<b>No</b>
Ambient Temperature	<b>40 °C</b>	Drive End Bearing Size	<b>6203</b>
Opp Drive End Bearing Size	<b>6203</b>	UL	<b>Recognized</b>
CSA	<b>Y</b>	CE	<b>N</b>
IP Code	<b>43</b>		

### Technical Specifications

Electrical Type	<b>Squirrel Cage Induction Run</b>	Starting Method	<b>Across The Line</b>
Poles	<b>4</b>	Rotation	<b>Reversible</b>
Mounting	<b>Rigid base</b>	Motor Orientation	<b>HORIZONTAL</b>
Drive End Bearing	<b>BALL</b>	Opp Drive End Bearing	<b>BALL</b>
Frame Material	<b>Rolled Steel</b>	Shaft Type	<b>NEMA 56</b>
Overall Length	<b>12.48 in</b>	Frame Length	<b>7.00 in</b>
Shaft Diameter	<b>0.625 in</b>	Shaft Extension	<b>1.88 in</b>
Assembly/Box Mounting	<b>F3</b>		
Outline Drawing	<b>607-0029-700</b>	Connection Diagram	<b>005010.01</b>

**This is an uncontrolled document once printed or downloaded and is subject to change without notice. Date Created: 10/15/2018**

RBC PROPRIETARY AND CONFIDENTIAL INFORMATION  
 This document is the property of REGAL BELOIT CORPORATION ("RBC") including its subsidiaries and divisions and contains proprietary information of RBC. This document is loaned on the express condition that neither it nor the information contained therein shall be disclosed to others without the express written consent of RBC, and that the information shall be used by the recipient only as approved expressly by RBC. This document shall be returned to RBC upon its request. This document may be subject to certain restrictions under U.S. export control laws and regulations.



MAXIMUM FACE RUNOUT TO BE .004 T.I.R  
 MAXIMUM PILOT ECCENTRICITY .004 T.I.R  
 PERMISSIBLE SHAFT RUNOUT .002 T.I.R

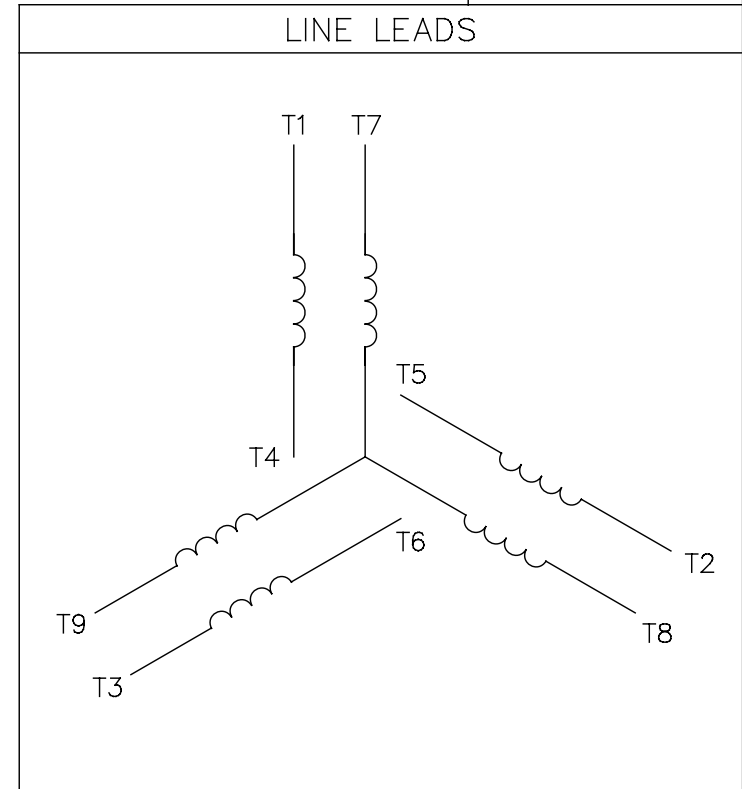
DASH NO.	"C"	"AD"
700	12.48	4.44
750	12.98	4.94
800	13.48	5.44
850	13.98	5.94
900	14.48	6.44

NOTE:  
 1) GASKETS THROUGHOUT

TOLERANCES UNLESS SPECIFIED		LEESON	ELECTRIC MOTORS GEARMOTORS AND DRIVES	DRAWN JD 11/05/2011
DEC	INCHES			
X	±.1			APPR
XX	±.03	TITLE	OUTLINE - 56H FRAME	SCALE 1:2
XXX	±.005	C-FACE T.E.F.C		REF 607-0027
XXXX	±.0005	MATL	GENERAL PURPOSE	FMF 117707.00
NO	REVISION	BY & DATE	FINISH	PAGE OF
	THIRD ANGLE PROJECTION	CHK LANG ±1/2"	PREV	SIZE DRAWING NO
		RFPP	607-0029	B 607-0029
		NETWORK FILE NAME		REV

005010-01

VIEW FROM OUTSIDE OF MOTOR AT SWITCH END.



VOLTAGE	L1	L2	L3	JOIN & INSULATE
HIGH	T1	T2	T3	(T4,T7) (T5,T8) (T6,T9)
LOW	T1,T7	T2,T8	T3,T9	T4,T5,T6

				TOLERANCES UNLESS SPECIFIED		<b>Regal Beloit America, Inc.</b>		DRAWN RDW 04/12/02			
				DEC.	INCHES			CHK			
				.X	±.1			APPD			
				.XX	±.01			SCALE 1=1			
				.XXX	±.005	TITLE		REF FIG.2-51			
A	UPDATED TO REGAL LOGO	SAJ 06/26/15	AJY	.XXXX	±.0005	MAT'L.		FMF			
NO.	REVISION	BY & DATE	CHK	ANG	±1/2"	FINISH		PREV			
THIS DRAWING IN DESIGN AND DETAIL IS OUR PROPERTY AND MUST NOT BE USED EXCEPT IN CONNECTION WITH OUR WORK ALL RIGHTS OF DESIGN AND INVENTION ARE RESERVED THIS IS AN ELECTRONICALLY GENERATED DOCUMENT - DO NOT SCALE THIS PRINT				RFP	04/12/02	CAD FILE		00501001	SIZE	DRAWING NO.	REV.
				DIST		BRF-NLV		A	005010-01	A	



P.O. BOX 8003  
WAUSAU, WI 54401-8003  
PH. 715-675-3311

DATA VOLTS: 460

CERTIFICATION DATA SHEET

CONN. DIAGRAM: 005010.01  
OUTLINE: 607-0029-700  
WINDING: T634188

CAT #: 117708.00

FR 3

TYPICAL MOTOR PERFORMANCE DATA

HP	KW	SYNC RPM	FL RPM	FRAME	ENCLOSURE	TYPE	KVA CODE	DESIGN										
0.75	0.56	1800	1745	56HC	TEFC	TFR	K	B										
PH	HZ	VOLTS	AMPS	START TYPE	DUTY	INSL	S.F.	AMB	ELEV.									
3	60	208-230/460	9999-28/1.4	ACROSS THE LINE	CONT	F	1.15	40	3300									
F.L. EFF	F.L. PF	77.3	64.6	3/4 LD EFF	3/4 LD PF	75.6	54.7	1/2 LD EFF	1/2 LD PF	70.3	42.5	GTD EFF	0.0	ELECT. TYPE	SO CAGE IND RUN			
F.L. TORQUE	LR AMPS @ 460 V	574	LB-FT	8.1	L.R. TORQUE	1,691	LB-FT	295%	B.D. TORQUE	2,137	LB-FT	372%	F.L. RISE (°C)	60				
PRESSURE @ 3	52	DBA	61	DBA	POWER	ROTOR WK²	0.06	LB-FT²	0.1	LB-FT²	SAFE STALL TIME	10	SEC.	STARTS/HOUR	0	MOTOR WGT	0	LB.

\*\*\* SUPPLEMENTAL INFORMATION \*\*\*

DE BRACKET TYPE	ODE BRACKET TYPE	MOUNT TYPE	MOTOR ORIENTATION	SEVERE DUTY	HAZARDOUS LOCATION	DRIP COVER	SCREENS	PAINT
C-FACE	STANDARD	RIGID	HORIZONTAL	NO	NONE	NO	NONE	JE-LEESON/ENAM
BEARINGS	GREASE	SHAFT TYPE	SPECIAL DE	SPECIAL ODE	SHAFT MATERIAL	FRAME MATERIAL		
DE ODE	BALL BALL	POLYREX EM	STANDARD 56	NONE	1144 STRESSPROOF (C-223)	ROLLED STEEL		
6203	6203							
THERMOSTATS	PROTECTORS	WDG RTD's	BRG RTD's	THERMISTORS	CONTROL	SPACE HEATERS		
NONE	NOT	NONE	NONE	NONE	FALSE	NA		
R1 (ohms/ph)	R2 (ohms/ph)	X1 (ohms/ph)	X2 (ohms/ph)	Xm (ohms/ph)	VIBRATION (in/sec)	FLOAT ODE		
0	0	0	0	0	0.080			

* NOT TESTED		INVERTER TORQUE: NONE
		INV. HP SPEED RANGE: NONE
		ENCODER: NONE
		NONE
		BRAKE: NONE
		NONE
		FT-LB: NA
		NONE
		VOLTAGE: NONE
		NONE
		UL: Y-(LEESON UL REC)

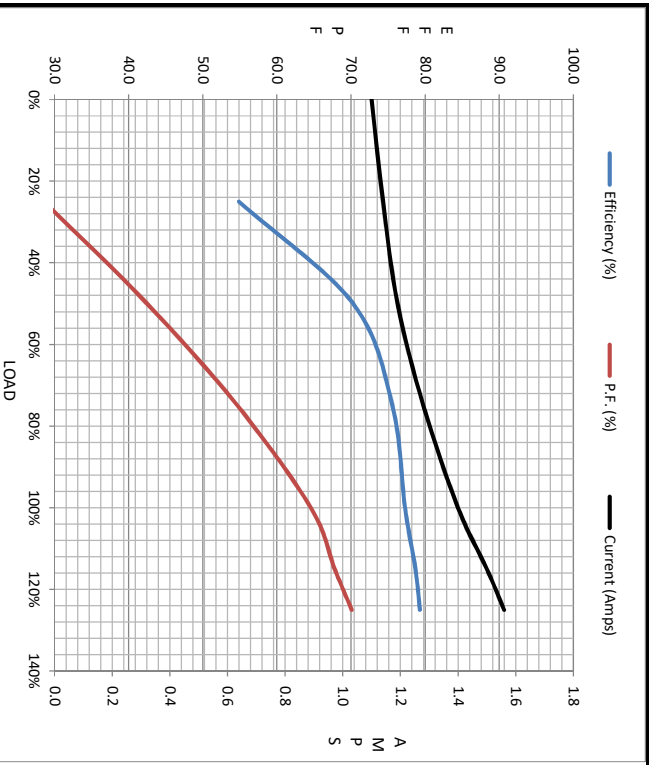
DATE:	1/23/2018	HZ:	
-------	-----------	-----	--



Load	0%	25%	50%	75%	100%	115%	125%	LR
Current (Amps)	1.10	1.14	1.19	1.28	1.40	1.50	1.56	8.1
Torque (ft-lb)	0.00	144	287	431	574	660	718	1,691
HPM	1800	1787	1774	1760	1745	1735	1730	0
Efficiency (%)		54.9	70.3	75.6	77.3	78.7	79.3	
P.F. (%)	13.0	28.6	42.5	54.7	64.6	67.8	70.1	0.0

Motor Speed Data

Speed (RPM)	LR	Pull-Up	BD	Rated	Idle	Information Block	
0	300	1550	1745	1800	HP	0.8	
Current (Amps)	8.1	8.0	4.9	1.40	1.10	Sync. RPM	1800
Torque (ft-lb)	1,691	1,643	2,137	574	0.00	Frame	140
						Enclosure	TEFC
						Construction	TFR
						Voltage	208-230/460 V
						Frequency	60 Hz
						Design	B
						LR Code letter	K
						Service Factor	1.15
						Temp Rise @ FL	60 °C
						Duty	CONT
						Ambient	40 °C
						Elevation	1,000 feet
						Rotor/Shaft wk <sup>2</sup>	0.06 LB-Ft <sup>2</sup>
						Ref Wdg	T634188 FR
						Sound Pressure @ 1M	52 dBA
						VFD Rating	NONE
						Outline Dwg	607-0029-700
						Conn. Diag	005010.01
						Additional Specifications:	



Parameter	Value	Parameter	Value
R1	0.0000	R2	0.0000
X1	0.0000	X2	0.0000
Xm	0.0000		
EQUIV CKT (OHMS / PHASE)			
VFD Rating: NONE			
Outline Dwg: 607-0029-700			
Conn. Diag: 005010.01			
Additional Specifications:			
0			

