

# PRODUCT INFORMATION PACKET



Model No: C6T17FK99A

Catalog No: 117707.00

117707.00..1/2HP..1725RPM.56C.TEFC.230/460V.3PH.60HZ.CONT.40C.1.15SF.RIGID-C-FACE.C6T17FK99.....UNIT HANDLING.NONE.....

Unit Handling



Regal and Leeson are trademarks of Regal Beloit Corporation or one of its affiliated companies.

©2018 Regal Beloit Corporation, All Rights Reserved. MC017097E



**Product Information Packet: Model No: C6T17FK99A, Catalog No:117707.00  
 117707.00..1/2HP..1725RPM.56C.TEFC.230/460V.3PH.60HZ.CONT.40C.1.15SF.RIGID-C-FACE.C6T17FK99.....UNIT  
 HANDLING.NONE.....**



**Nameplate Specifications**

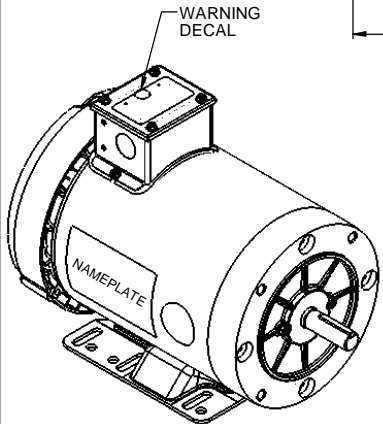
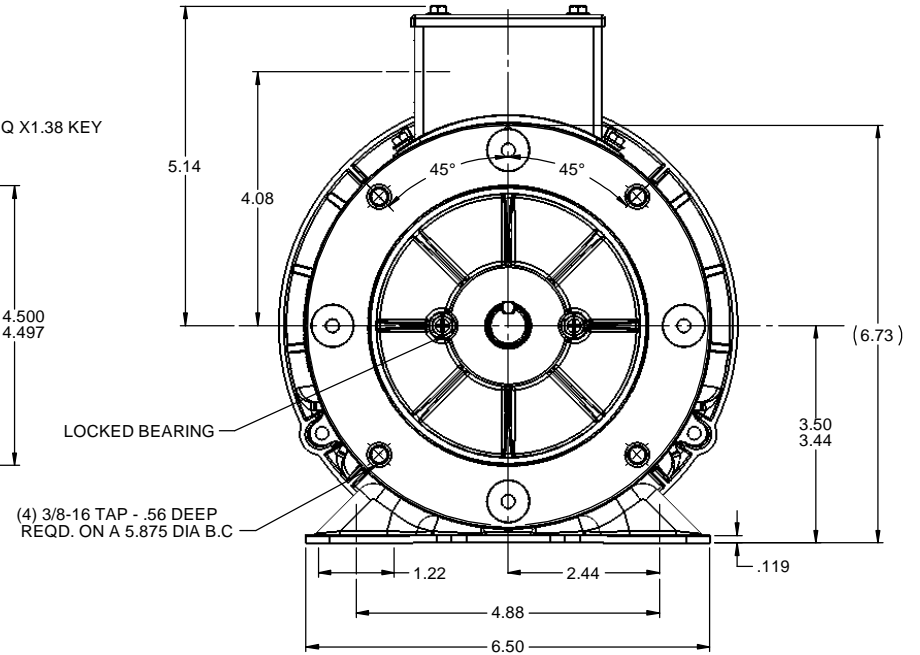
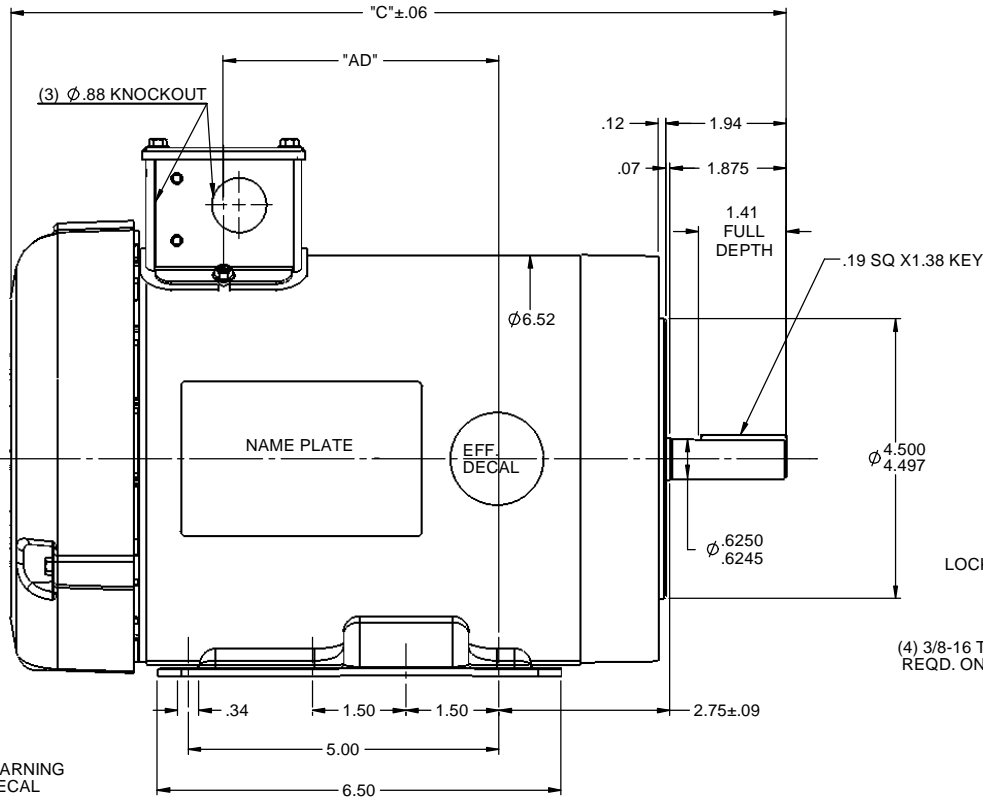
Output HP	<b>0.50 Hp</b>	Output KW	<b>0.37 kW</b>
Frequency	<b>60 Hz</b>	Voltage	<b>208-230/460 V</b>
Current	<b>2.0/1.0 A</b>	Speed	<b>1725 rpm</b>
Service Factor	<b>1.15</b>	Phase	<b>3</b>
Efficiency	<b>74 %</b>	Duty	<b>Continuous</b>
Insulation Class	<b>F</b>	Design Code	<b>B</b>
KVA Code	<b>K</b>	Frame	<b>56HC</b>
Enclosure	<b>Totally Enclosed Fan Cooled</b>	Overload Protector	<b>No</b>
Ambient Temperature	<b>40 °C</b>	Drive End Bearing Size	<b>6203</b>
Opp Drive End Bearing Size	<b>6203</b>	UL	<b>Recognized</b>
CSA	<b>Y</b>	CE	<b>N</b>
IP Code	<b>43</b>		

**Technical Specifications**

Electrical Type	<b>Squirrel Cage Induction Run</b>	Starting Method	<b>Across The Line</b>
Poles	<b>4</b>	Rotation	<b>Reversible</b>
Mounting	<b>Rigid base</b>	Motor Orientation	<b>HORIZONTAL</b>
Drive End Bearing	<b>BALL</b>	Opp Drive End Bearing	<b>BALL</b>
Frame Material	<b>Rolled Steel</b>	Shaft Type	<b>NEMA 56</b>
Overall Length	<b>12.48 in</b>	Frame Length	<b>7.00 in</b>
Shaft Diameter	<b>0.625 in</b>	Shaft Extension	<b>1.88 in</b>
Assembly/Box Mounting	<b>F3</b>		
Outline Drawing	<b>607-0029-700</b>	Connection Diagram	<b>005010.01</b>

**This is an uncontrolled document once printed or downloaded and is subject to change without notice. Date Created: 10/15/2018**

RBC PROPRIETARY AND CONFIDENTIAL INFORMATION  
 This document is the property of REGAL BELOIT CORPORATION ("RBC") including its subsidiaries and divisions and contains proprietary information of RBC. This document is loaned on the express condition that neither it nor the information contained therein shall be disclosed to others without the express written consent of RBC, and that the information shall be used by the recipient only as approved expressly by RBC. This document shall be returned to RBC upon its request. This document may be subject to certain restrictions under U.S. export control laws and regulations.



MAXIMUM FACE RUNOUT TO BE .004 T.I.R  
 MAXIMUM PILOT ECCENTRICITY .004 T.I.R  
 PERMISSIBLE SHAFT RUNOUT .002 T.I.R

DASH NO.	"C"	"AD"
700	12.48	4.44
750	12.98	4.94
800	13.48	5.44
850	13.98	5.94
900	14.48	6.44

NOTE:  
 1) GASKETS THROUGHOUT

TOLERANCES UNLESS SPECIFIED		LEESON	ELECTRIC MOTORS GEARMOTORS AND DRIVES	DRAWN	JD 11/05/2011
DEC	INCHES			CHK	VS 11/05/2011
X	±.1			APPR	
XX	±.03		TITLE	SCALE	1:2
XXX	±.005		C-FACE T.E.F.C	REF	607-0027
XXXX	±.0005		MATL	FMF	117707.00
			FINISH	PAGE	OF
NO	REVISION	BY & DATE	CHK	ANG	±1/2°
	THIRD ANGLE PROJECTION		RFP	PREV	
			NETWORK FILE NAME	607-0029	
			SIZE	B	
			DRAWING NO	607-0029	
			REV		

005010-01

VIEW FROM OUTSIDE OF MOTOR AT SWITCH END.



VOLTAGE	L1	L2	L3	JOIN & INSULATE
HIGH	T1	T2	T3	(T4,T7) (T5,T8) (T6,T9)
LOW	T1,T7	T2,T8	T3,T9	T4,T5,T6

				TOLERANCES UNLESS SPECIFIED		<b>REGAL</b> ™ Regal Beloit America, Inc.		DRAWN RDW 04/12/02		
				DEC.	INCHES			CHK		
				.X	±.1			APPD		
				.XX	±.01			SCALE 1=1		
				.XXX	±.005	TITLE		REF FIG.2-51		
A	UPDATED TO REGAL LOGO	SAJ 06/26/15	AJY	.XXXX	±.0005	MAT'L.		FMF		
NO.	REVISION	BY & DATE	CHK	ANG	±1/2"	FINISH		PREV		
THIS DRAWING IN DESIGN AND DETAIL IS OUR PROPERTY AND MUST NOT BE USED EXCEPT IN CONNECTION WITH OUR WORK ALL RIGHTS OF DESIGN AND INVENTION ARE RESERVED THIS IS AN ELECTRONICALLY GENERATED DOCUMENT - DO NOT SCALE THIS PRINT				RFP	04/12/02	CAD FILE	00501001	SIZE	DRAWING NO.	REV.
				DIST	BRF-NLV			A	005010-01	A

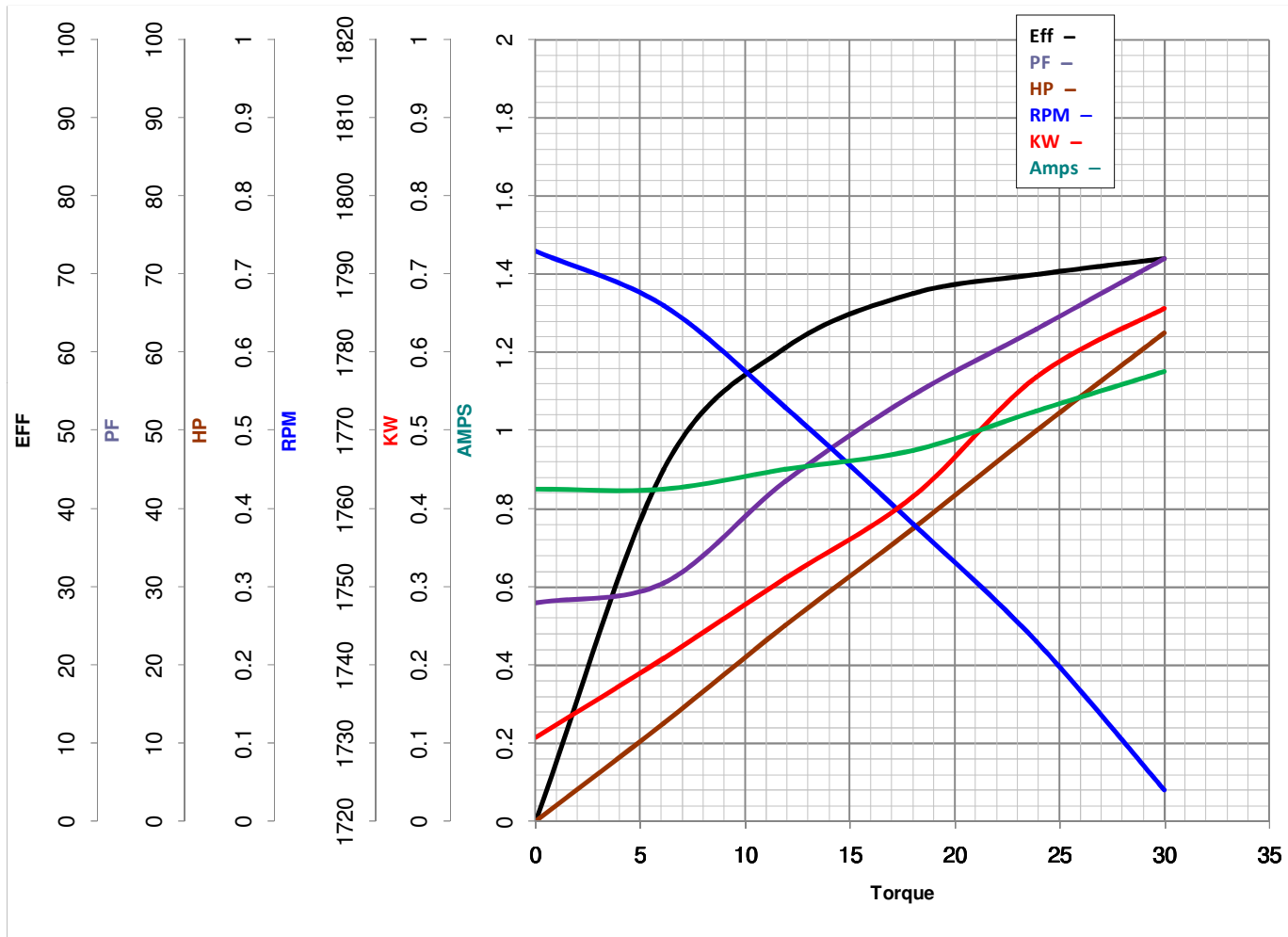


**LEESON ELECTRIC CORPORATION**  
TYPICAL PERFORMANCE CURVE for AC MOTOR

Model No 117707.00

Catalog No 117707.00

Curve at 460 Volts      HP 0.50      PHASE 3  
60 HZ  
0.5 HP      VOLTS 208-230/460  
HZ 60      RPM 1725



Torque in Oz.Ft

FL TORQUE 23.9 Oz.Ft  
 BD TORQUE 86.5 Oz.Ft  
 LR TORQUE 60 Oz.Ft

FL AMPS 43132  
 PU TORQUE 59.0 Oz.Ft  
 LR AMPS 5.1

WINDING T634199-3

Date 5/21/2018