

# PRODUCT INFORMATION PACKET



Model No: C6C17FC177A

Catalog No: 117706.00

117706.00..1HP..1725RPM.56C.TEFC.115/230V.3PH.60HZ.CONT.40C.1.15SF.C-  
FACE.C6C17FC177.....UNIT HANDLING.NONE.....

Unit Handling



Regal and Leeson are trademarks of Regal Beloit Corporation or one of its affiliated companies.

©2018 Regal Beloit Corporation, All Rights Reserved. MC017097E



**Product Information Packet: Model No: C6C17FC177A, Catalog No:117706.00  
 117706.00..1HP..1725RPM.56C.TEFC.115/230V.3PH.60HZ.CONT.40C.1.15SF.C-FACE.C6C17FC177.....UNIT  
 HANDLING.NONE.....**



### Nameplate Specifications

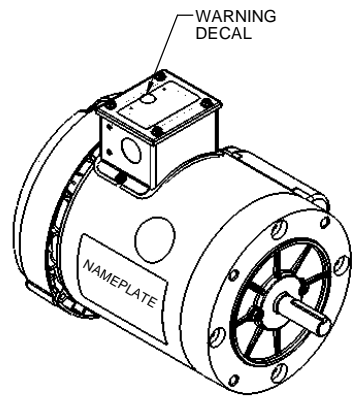
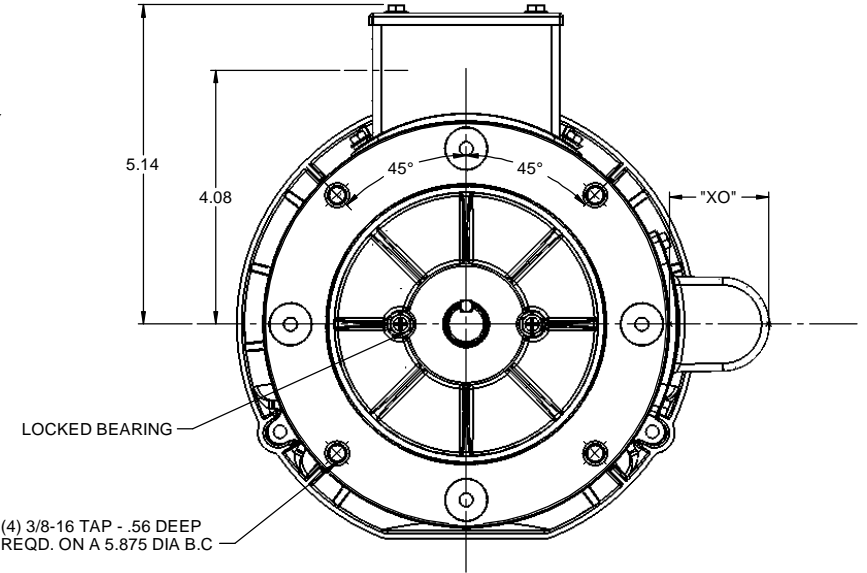
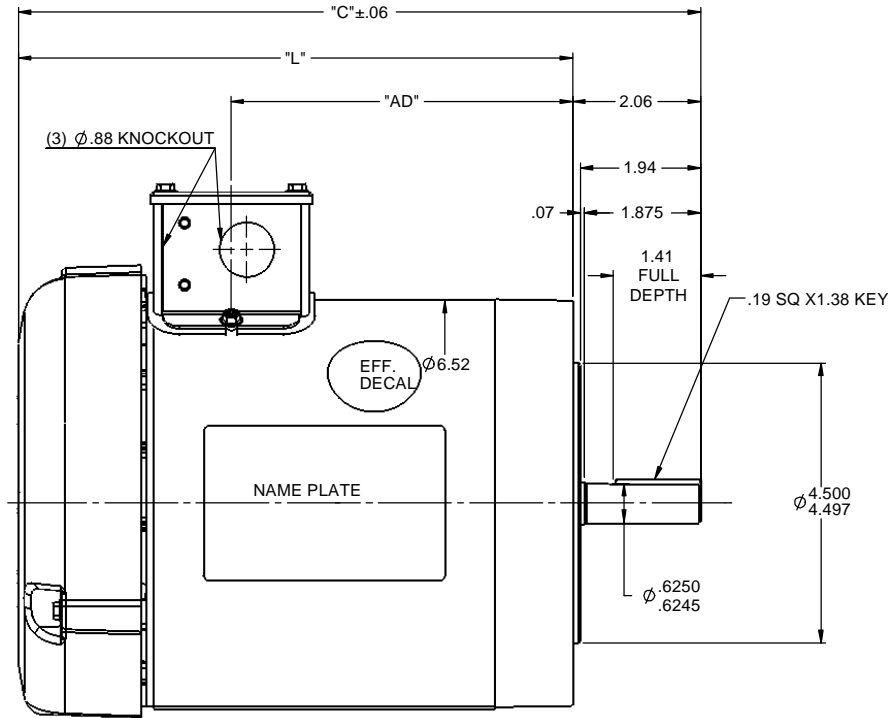
Output HP	<b>1 Hp</b>	Output KW	<b>0.75 kW</b>
Frequency	<b>60 Hz</b>	Voltage	<b>115/208-230 V</b>
Current	<b>12.8/6.4 A</b>	Speed	<b>1725 rpm</b>
Service Factor	<b>1.15</b>	Phase	<b>1</b>
Efficiency	<b>75 %</b>	Duty	<b>Continuous</b>
Insulation Class	<b>F</b>	Design Code	<b>L</b>
KVA Code	<b>K</b>	Frame	<b>56C</b>
Enclosure	<b>Totally Enclosed Fan Cooled</b>	Overload Protector	<b>No</b>
Ambient Temperature	<b>40 °C</b>	Drive End Bearing Size	<b>6203</b>
Opp Drive End Bearing Size	<b>6203</b>	UL	<b>Recognized</b>
CSA	<b>Y</b>	CE	<b>N</b>
IP Code	<b>43</b>		

### Technical Specifications

Electrical Type	<b>Capacitor Start Induction Run</b>	Starting Method	<b>Across The Line</b>
Poles	<b>4</b>	Rotation	<b>Selective Counterclockwise</b>
Mounting	<b>Round</b>	Motor Orientation	<b>HORIZONTAL</b>
Drive End Bearing	<b>BALL</b>	Opp Drive End Bearing	<b>BALL</b>
Frame Material	<b>Rolled Steel</b>	Shaft Type	<b>NEMA 56</b>
Overall Length	<b>11.98 in</b>	Frame Length	<b>6.50 in</b>
Shaft Diameter	<b>0.625 in</b>	Shaft Extension	<b>1.88 in</b>
Assembly/Box Mounting	<b>F3</b>		
Outline Drawing	<b>607-0026-650B</b>	Connection Diagram	<b>005005.01</b>

**This is an uncontrolled document once printed or downloaded and is subject to change without notice. Date Created: 10/15/2018**

RBC PROPRIETARY AND CONFIDENTIAL INFORMATION  
 This document is the property of REGAL BELOIT CORPORATION ("RBC") including its subsidiaries and divisions and contains proprietary information of RBC. This document is loaned on the express condition that neither it nor the information contained therein shall be disclosed to others without the express written consent of RBC, and that the information shall be used by the recipient only as approved expressly by RBC. This document shall be returned to RBC upon its request. This document may be subject to certain restrictions under U.S. export control laws and regulations.



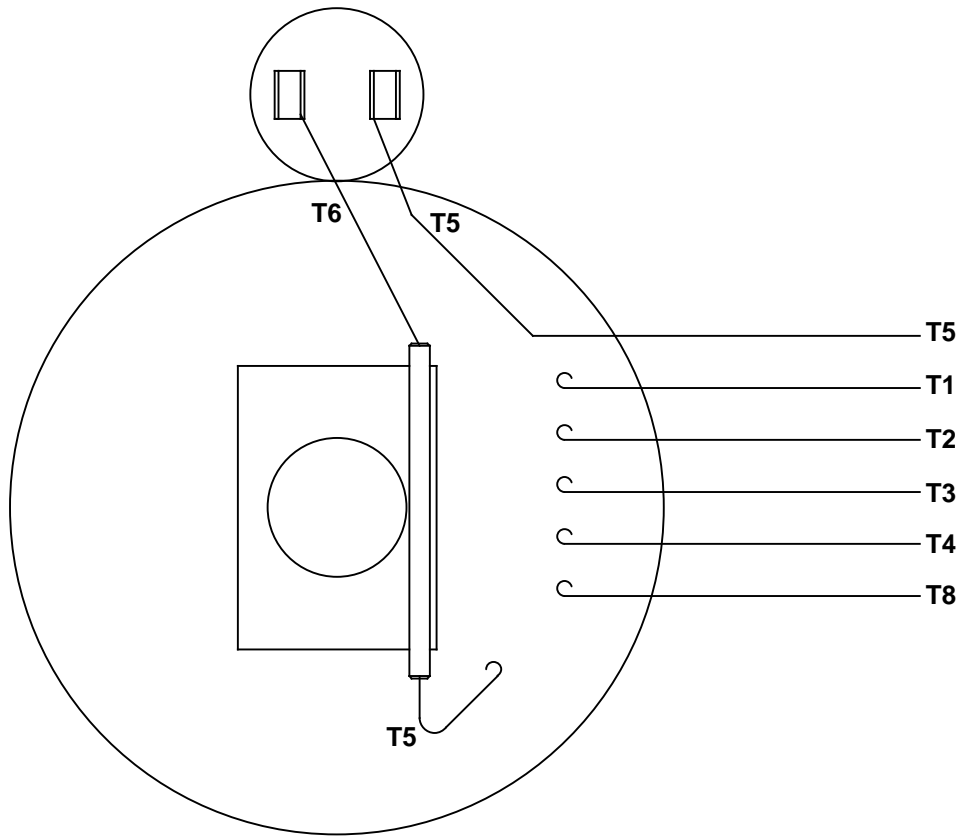
MAXIMUM FACE RUNOUT TO BE .004 T.I.R  
 MAXIMUM PILOT ECCENTRICITY .004 T.I.R  
 PERMISSIBLE SHAFT RUNOUT .002 T.I.R

DASH NO.	"C"	"L"	"AD"	CAP DASH	"XO"
550	10.98	8.92	5.50	A	1.61
600	11.48	9.42	6.00	B	2.08
650	11.98	9.92	6.50	C	2.32
700	12.48	10.42	7.00		
750	12.98	10.92	7.50		

NOTE:  
 1) GASKETS THROUGHOUT

TOLERANCES UNLESS SPECIFIED		TITLE	ELECTRIC MOTORS GEARMOTORS AND DRIVES	DRAWN	DATE
DEC	INCHES				
X	±.1	OUTLINE - 56C FRAME T.E.F.C GENERAL PURPOSE	LEESON	CHK	VS
XX	±.03			APPR	
XXX	±.005			SCALE	1:2
XXXX	±.0005			REF	028960
FINISH		MATL	GENERAL PURPOSE	FMF	117704.00
NO	REVISION	BY & DATE	CHK	ANG	±1/2°
THIRD ANGLE PROJECTION		RFP	PREV	SIZE	DRAWING NO
		NETWORK FILE NAME	607-0026	B	607-0026
				REV	

VIEW FROM OUTSIDE OF MOTOR AT SWITCH END.



LINE LEADS



	ROTATION FACING LEAD END	L1	L2	JOIN
HIGH VOLT	C.C.W.	T1	T4, T5	T2, T3, T8
	C.W.	T1	T4, T8	T2, T3, T5
LOW VOLT	C.C.W.	T1, T3, T8	T2, T4, T5	-----
	C.W.	T1, T3, T5	T2, T4, T8	-----

RBC PROPRIETARY AND CONFIDENTIAL INFORMATION  
 This document is the property of REGAL BELOIT CORPORATION ("RBC") including its subsidiaries and divisions and contains proprietary information of RBC. This document is loaned on the express condition that neither it nor the information contained therein shall be disclosed to others without the express written consent of RBC, and that the information shall be used by the recipient only as approved expressly by RBC. This document shall be returned to RBC upon its request. This document may be subject to certain restrictions under U.S. export control laws and regulations.

--	REDRAWN IN SOLIDWORKS	VJB 02/16/11		TOLERANCES UNLESS SPECIFIED		<b>LEESON</b>	ELECTRIC MOTORS GEARMOTORS AND DRIVES	DRAWN ADH 08/06/73
27	UPDATED TO CURRENT STANDARDS	DBT 05/27/97		DEC	INCHES			CHK
26	ADDED PAGE 32 (114787) & PAGE 33 (114788)	KAZ 12/20/95	PG	.X	±.1			APPR JCW 03/09/79
25	ADDED PAGE 31	KAZ 04/19/95	DL	.XX	±.01	TITLE	EXTERNAL WIRING DIAGRAM	SCALE 1:1
24	ADDED PAGES 29 & 30	KMM 03/30/95	DL	.XXX	±.005		TYPE "C" W/O PROTECTOR	REF FIG 2-23 C4A
23	ADDED PAGE 28	KMM 01/27/95		.XXXX	±.0005	MAT'L	DECAL - 004012	FMF MGI-2.4B
NO	REVISION	BY & DATE	CHK	ANG	±1/2°	FINISH		PAGE OF
THIRD ANGLE PROJECTION			RFP		PREV	SIZE	DRAWING NO	REV
			NETWORK FILE NAME		00500501	<b>A</b>	<b>005005-01</b>	--



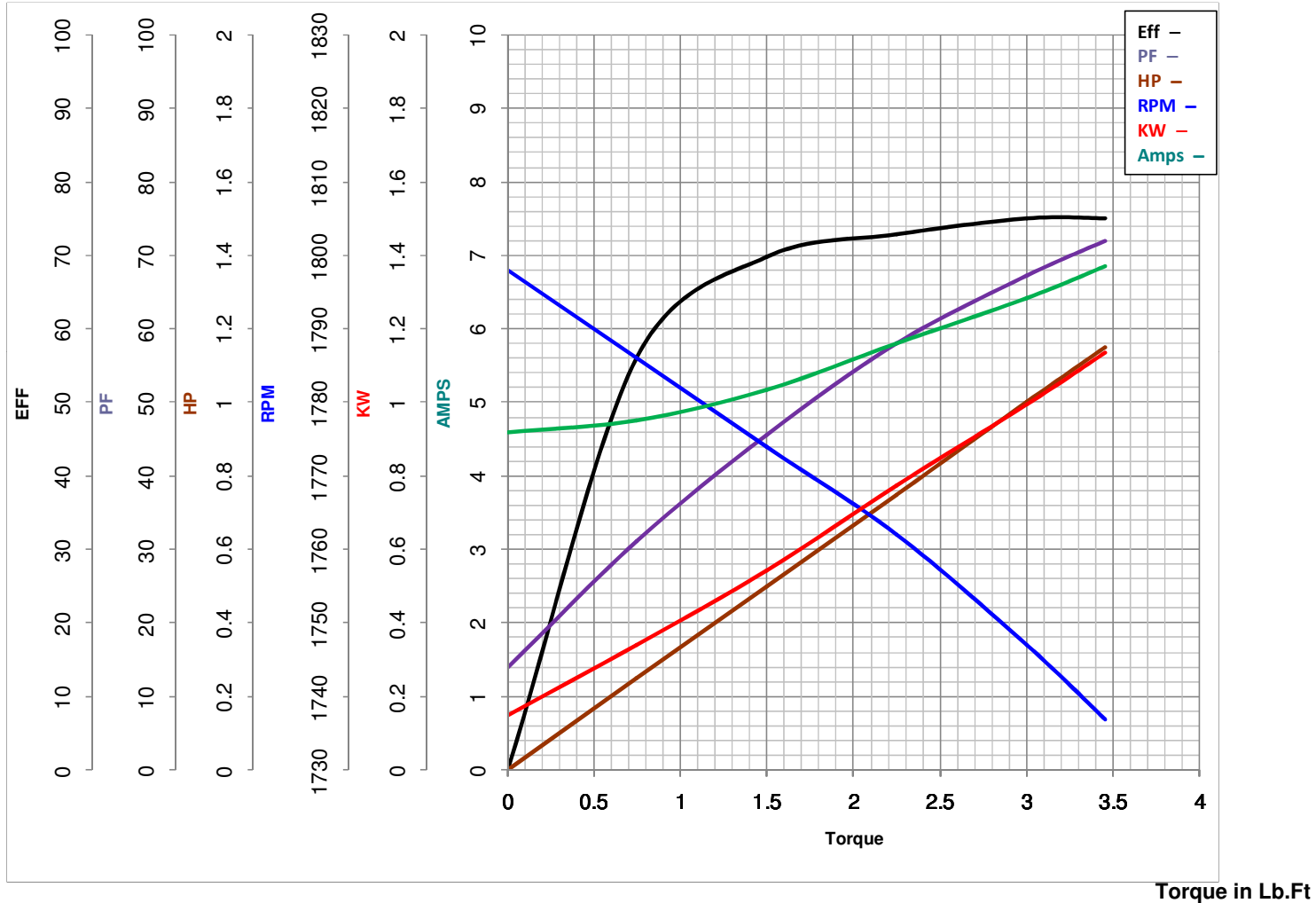
**LEESON ELECTRIC CORPORATION**  
TYPICAL PERFORMANCE CURVE for AC MOTOR

Model No 117706.00

Catalog No 117706.00

Curve at 230 Volts      HP 1.00      PHASE 1  
60 HZ  
1 HP      VOLTS 115/208-230

HZ 60      RPM 1725



FL TORQUE	<u>3</u>	Lb.Ft	FL AMPS	<u>12.8/6.4</u>	
BD TORQUE	<u>7.0</u>	Lb.Ft	PU TORQUE	<u>6.7</u>	Lb.Ft
LR TORQUE	<u>9</u>	Lb.Ft	LR AMPS	<u>33</u>	
WINDING	C634256-3		Date	<u>3/14/2018</u>	