

PRODUCT INFORMATION PACKET



Model No: C6C17FK94A

Catalog No: 117702.00

117702.00..3/4HP..1725RPM.56C.TEFC.115/208-230.1PH.60HZ.CONT.40C.1.15SF.RIGID-
C.C6C17FK94.....UNIT HANDLING MOTOR.NONE.....

Unit Handling



Regal and Leeson are trademarks of Regal Beloit Corporation or one of its affiliated companies.

©2018 Regal Beloit Corporation, All Rights Reserved. MC017097E



Product Information Packet: Model No: C6C17FK94A, Catalog No:117702.00
 117702.00..3/4HP..1725RPM.56C.TEFC.115/208-230.1PH.60HZ.CONT.40C.1.15SF.RIGID-C.C6C17FK94.....UNIT
 HANDLING MOTOR.NONE.....



Nameplate Specifications

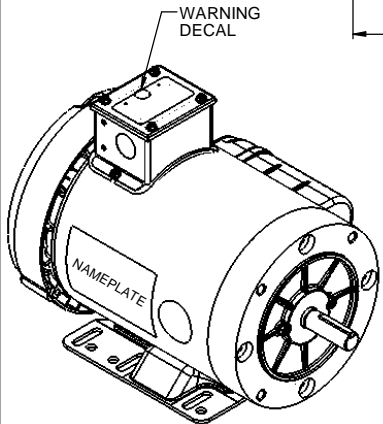
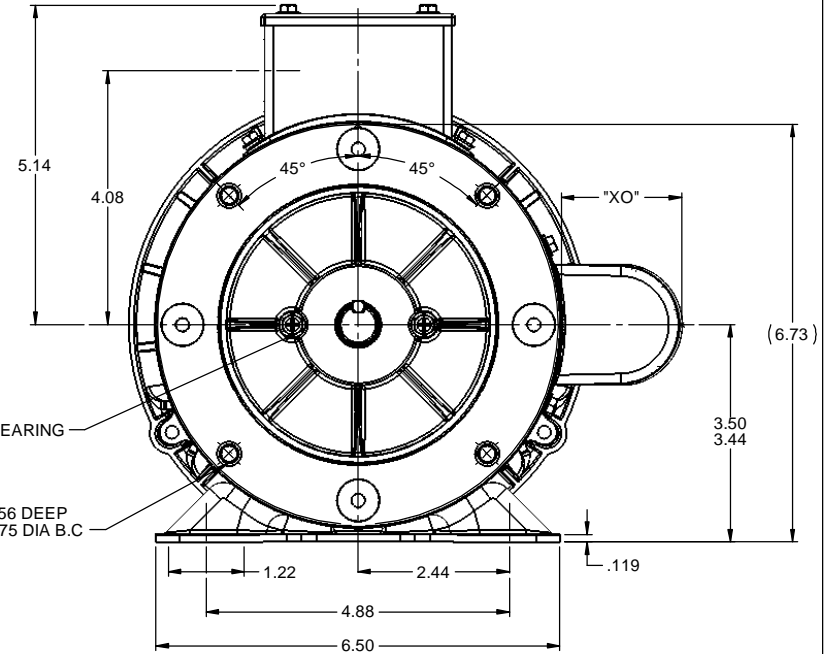
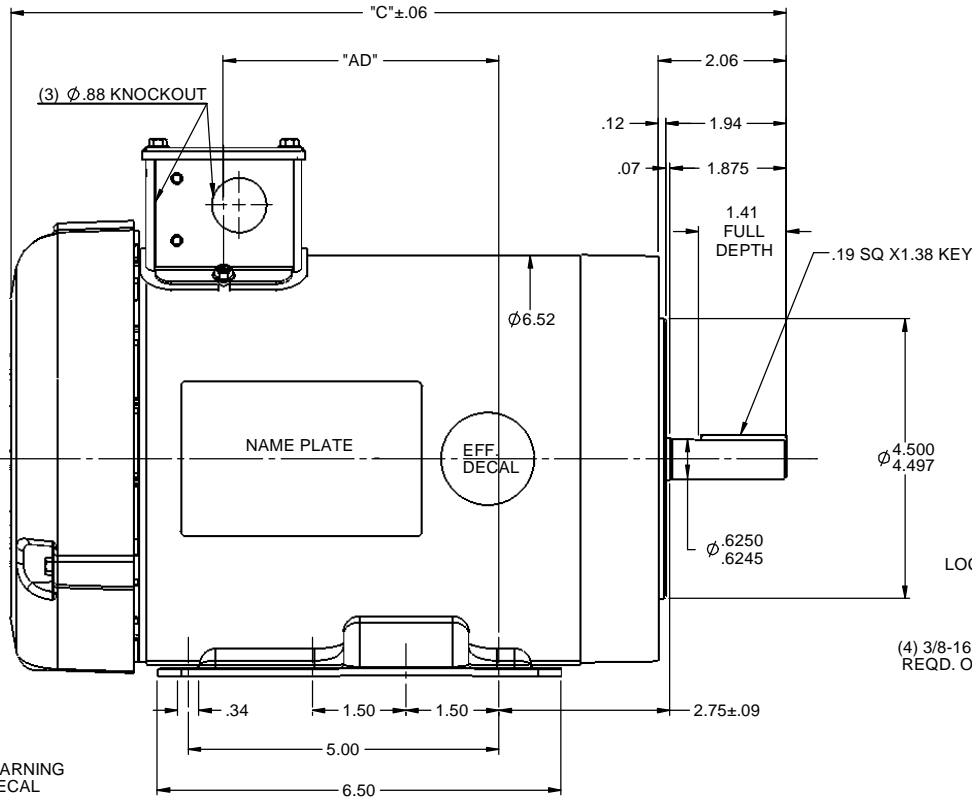
Output HP	0.75 Hp	Output KW	0.56 kW
Frequency	60 Hz	Voltage	115/208-230 V
Current	10.8/5.4 A	Speed	1725 rpm
Service Factor	1.15	Phase	1
Efficiency	70 %	Duty	Continuous
Insulation Class	F	Design Code	L
KVA Code	L	Frame	56HC
Enclosure	Totally Enclosed Fan Cooled	Overload Protector	No
Ambient Temperature	40 °C	Drive End Bearing Size	6203
Opp Drive End Bearing Size	6203	UL	Recognized
CSA	Y	CE	N
IP Code	43		

Technical Specifications

Electrical Type	Capacitor Start Induction Run	Starting Method	Across The Line
Poles	4	Rotation	Selective Counterclockwise
Mounting	Rigid base	Motor Orientation	HORIZONTAL
Drive End Bearing	BALL	Opp Drive End Bearing	BALL
Frame Material	Rolled Steel	Shaft Type	NEMA 56
Overall Length	12.48 in	Frame Length	7.00 in
Shaft Diameter	0.625 in	Shaft Extension	1.88 in
Assembly/Box Mounting	F3		
Outline Drawing	607-0027-700B	Connection Diagram	005005.01

This is an uncontrolled document once printed or downloaded and is subject to change without notice. Date Created: 10/15/2018

RBC PROPRIETARY AND CONFIDENTIAL INFORMATION
 This document is the property of REGAL BELOIT CORPORATION ("RBC") including its subsidiaries and divisions and contains proprietary information of RBC. This document is loaned on the express condition that neither it nor the information contained therein shall be disclosed to others without the express written consent of RBC, and that the information shall be used by the recipient only as approved expressly by RBC. This document shall be returned to RBC upon its request. This document may be subject to certain restrictions under U.S. export control laws and regulations.



MAXIMUM FACE RUNOUT TO BE .004 T.I.R
 MAXIMUM PILOT ECCENTRICITY .004 T.I.R
 PERMISSIBLE SHAFT RUNOUT .002 T.I.R

DASH NO.	"C"	"AD"	CAP DASH	"XO"
700	12.48	4.44	A	1.61
750	12.98	4.94	B	2.08
800	13.48	5.44	C	2.32
850	13.98	5.94		
900	14.48	6.44		

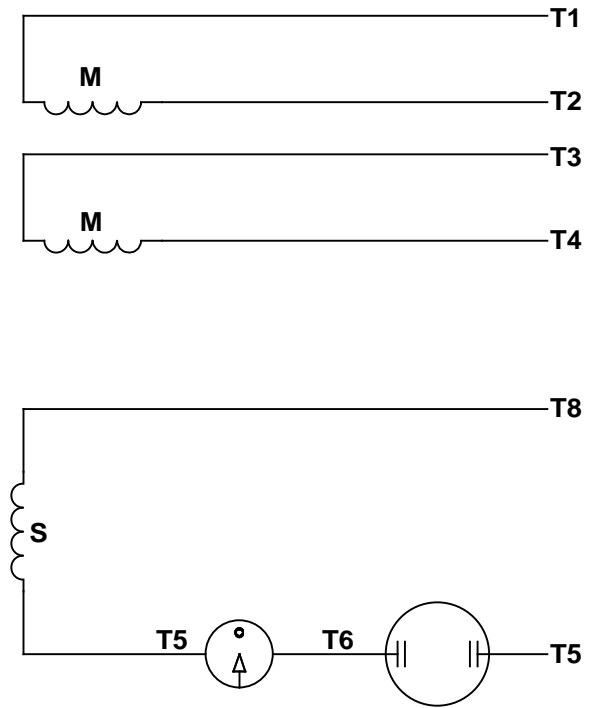
NOTE:
 1) GASKETS THROUGHOUT

TOLERANCES UNLESS SPECIFIED		LEESON	ELECTRIC MOTORS GEARMOTORS AND DRIVES	DRAWN	JD 11/04/2011
DEC	INCHES			CHK	VS 11/04/2011
X	±.1			APPR	
XX	±.03		TITLE	SCALE	1:2
XXX	±.005		T.E.F.C	REF	607-0026
XXXX	±.0005		MATL	FMF	117703.00
			FINISH	PAGE	OF
NO	REVISION	BY & DATE	CHK	ANG	±1/2°
	THIRD ANGLE PROJECTION		RFP	PREV	
			NETWORK FILE NAME	607-0027	
			SIZE	DRAWING NO	REV
			B	607-0027	

VIEW FROM OUTSIDE OF MOTOR AT SWITCH END.




LINE LEADS



RBC PROPRIETARY AND CONFIDENTIAL INFORMATION
 This document is the property of REGAL BELOIT CORPORATION ("RBC") including its subsidiaries and divisions and contains proprietary information of RBC. This document is loaned on the express condition that neither it nor the information contained therein shall be disclosed to others without the express written consent of RBC, and that the information shall be used by the recipient only as approved expressly by RBC. This document shall be returned to RBC upon its request. This document may be subject to certain restrictions under U.S. export control laws and regulations.

	ROTATION FACING LEAD END	L1	L2	JOIN
HIGH VOLT	C.C.W.	T1	T4, T5	T2, T3, T8
	C.W.	T1	T4, T8	T2, T3, T5
LOW VOLT	C.C.W.	T1, T3, T8	T2, T4, T5	-----
	C.W.	T1, T3, T5	T2, T4, T8	-----

--	REDRAWN IN SOLIDWORKS	VJB 02/16/11	TOLERANCES UNLESS SPECIFIED			 ELECTRIC MOTORS GEARMOTORS AND DRIVES	DRAWN ADH 08/06/73
27	UPDATED TO CURRENT STANDARDS	DBT 05/27/97	DEC	INCHES			CHK
26	ADDED PAGE 32 (114787) & PAGE 33 (114788)	KAZ 12/20/95	PG	.X	±.1	APPR JCW 03/09/79	
25	ADDED PAGE 31	KAZ 04/19/95	DL	.XX	±.01	SCALE 1:1	
24	ADDED PAGES 29 & 30	KMM 03/30/95	DL	.XXX	±.005	REF FIG 2-23 C4A	
23	ADDED PAGE 28	KMM 01/27/95		.XXXX	±.0005	FMF MGI-2.4B	
NO	REVISION	BY & DATE	CHK	ANG	±1/2°	PAGE OF	
THIRD ANGLE PROJECTION			RFP	PREV		SIZE A	DRAWING NO
			NETWORK FILE NAME 00500501			005005-01	
					REV	--	

2/17/2011 9:21:36 AM

Dealers Industrial Equipment -- Visit <https://DealersElectric.com> or call (908) 688-1966 for all of your electric motor & VFD needs!



LEESON ELECTRIC CORPORATION
 TYPICAL PERFORMANCE CURVE for AC MOTOR

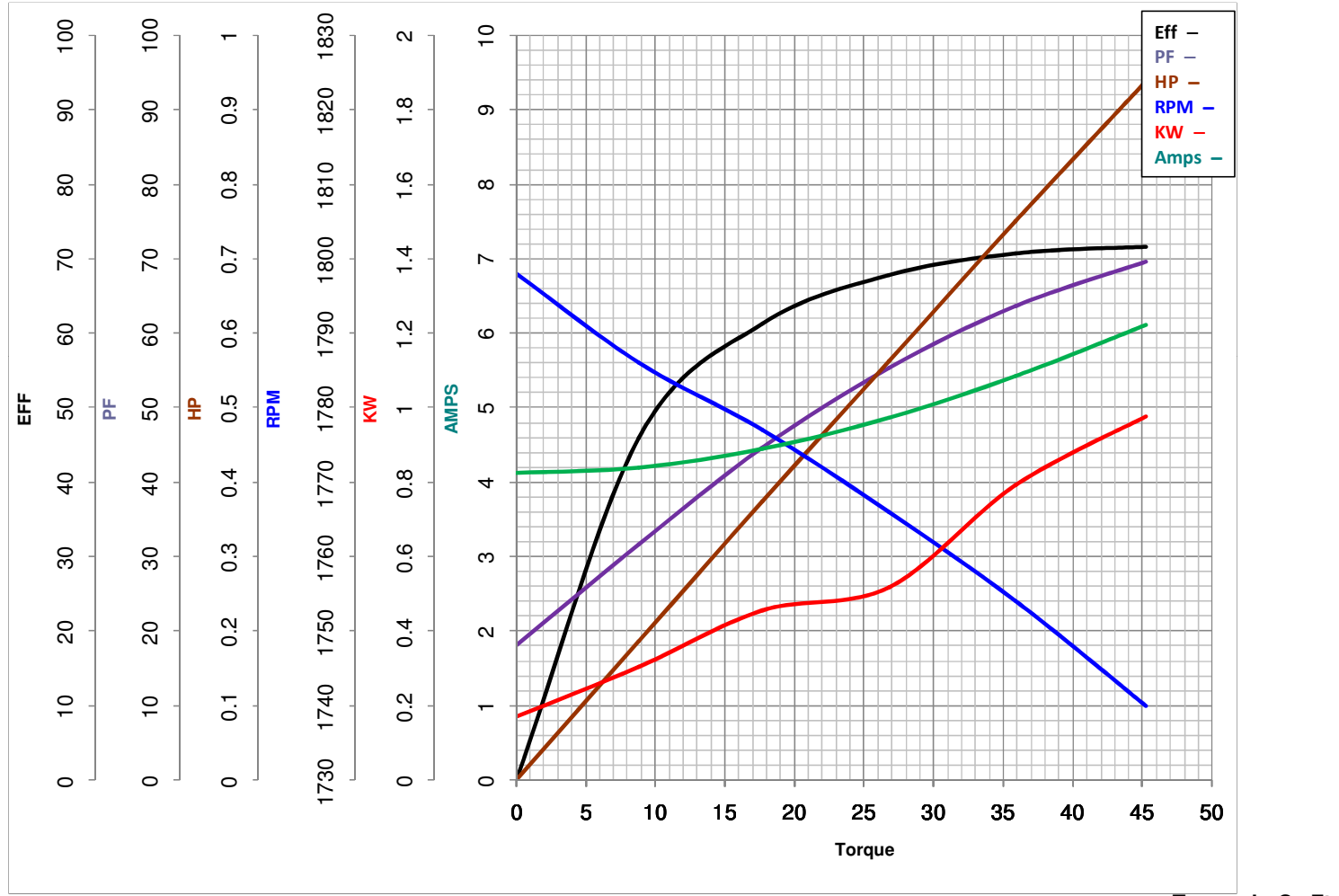
Curve at 230 Volts HP 0.76 PHASE 1
60 HZ
0.75 HP VOLTS 115/208-230

Model No 117702.00

Catalog No 117702.00

HZ 60

RPM 1725



FL TORQUE	<u>35.94</u> Oz.Ft	FL AMPS	<u>10.8/5.4</u>
BD TORQUE	<u>98.5</u> Oz.Ft	PU TORQUE	<u>84.2</u> Oz.Ft
LR TORQUE	<u>114.5</u> Oz.Ft	LR AMPS	<u>30.1</u>
WINDING	C634258-3	Date	3/14/2018