

PRODUCT INFORMATION PACKET



Model No: M6K17FB60A

Catalog No: 117691.00

3/4HP..1725RPM.56.TEFC.115/208-230V.1PH.60HZ.CONT.40C.1.15SF.RIGID.M6K17FB60.....FARM
DUTY.MANUAL.....

Agricultural



Regal and Leeson are trademarks of Regal Beloit Corporation or one of its affiliated companies.

©2018 Regal Beloit Corporation, All Rights Reserved. MC017097E





Nameplate Specifications

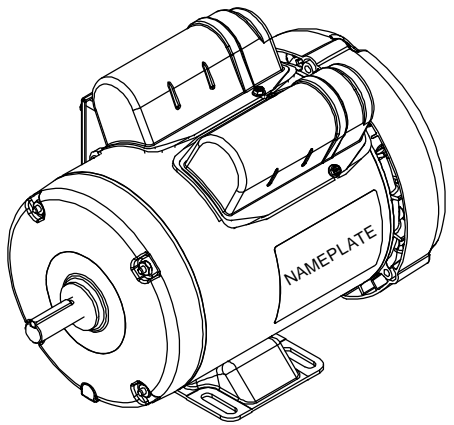
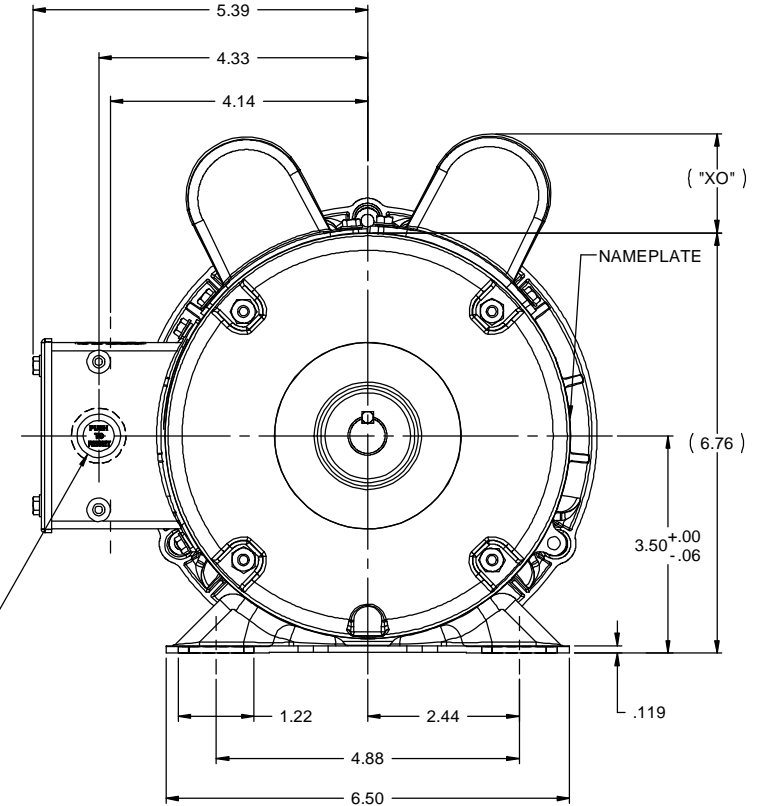
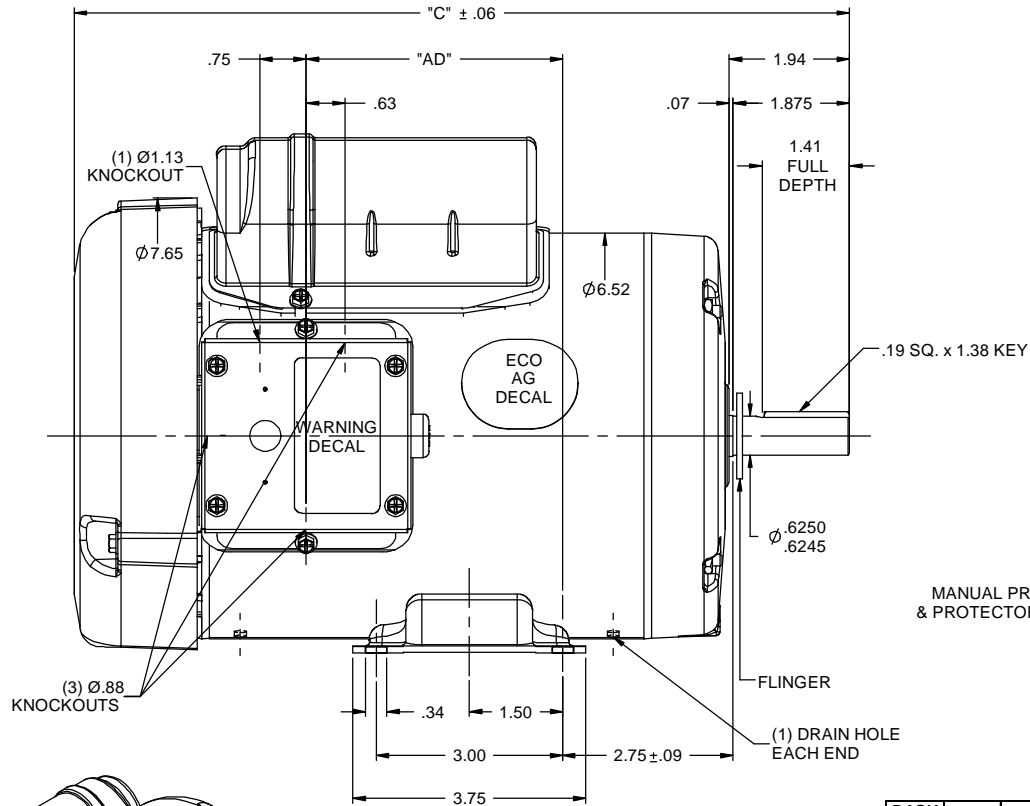
Output HP	0.75 Hp	Output KW	0.56 kW
Frequency	60 Hz	Voltage	115/208-230 V
Current	6.4/3.2 A	Speed	1725 rpm
Service Factor	1.15	Phase	1
Efficiency	82 %	Duty	Continuous
Insulation Class	B	Design Code	L
KVA Code	J	Frame	56
Enclosure	Totally Enclosed Fan Cooled	Overload Protector	Manual
Ambient Temperature	40 °C	Drive End Bearing Size	6203
Opp Drive End Bearing Size	6203	UL	Recognized
CSA	Y	CE	N
IP Code	43		

Technical Specifications

Electrical Type	Capacitor Start Capacitor Run	Starting Method	Across The Line
Poles	4	Rotation	Selective Counterclockwise
Mounting	Rigid base	Motor Orientation	HORIZONTAL
Drive End Bearing	BALL	Opp Drive End Bearing	BALL
Frame Material	Rolled Steel	Shaft Type	NEMA 56
Overall Length	11.99 in	Frame Length	6.50 in
Shaft Diameter	0.625 in	Shaft Extension	1.88 in
Assembly/Box Mounting	F1 ONLY		
Outline Drawing	607-0033-650B	Connection Diagram	005053.02

This is an uncontrolled document once printed or downloaded and is subject to change without notice. Date Created: 10/15/2018

RBC PROPRIETARY AND CONFIDENTIAL INFORMATION
 This document is the property of REGAL BELOIT CORPORATION ("RBC") including its subsidiaries and divisions and contains proprietary information of RBC. This document is loaned on the express condition that neither it nor the information contained therein shall be disclosed to others without the express written consent of RBC, and that the information shall be used by the recipient only as approved expressly by RBC. This document shall be returned to RBC upon its request. This document may be subject to certain restrictions under U.S. export control laws and regulations.

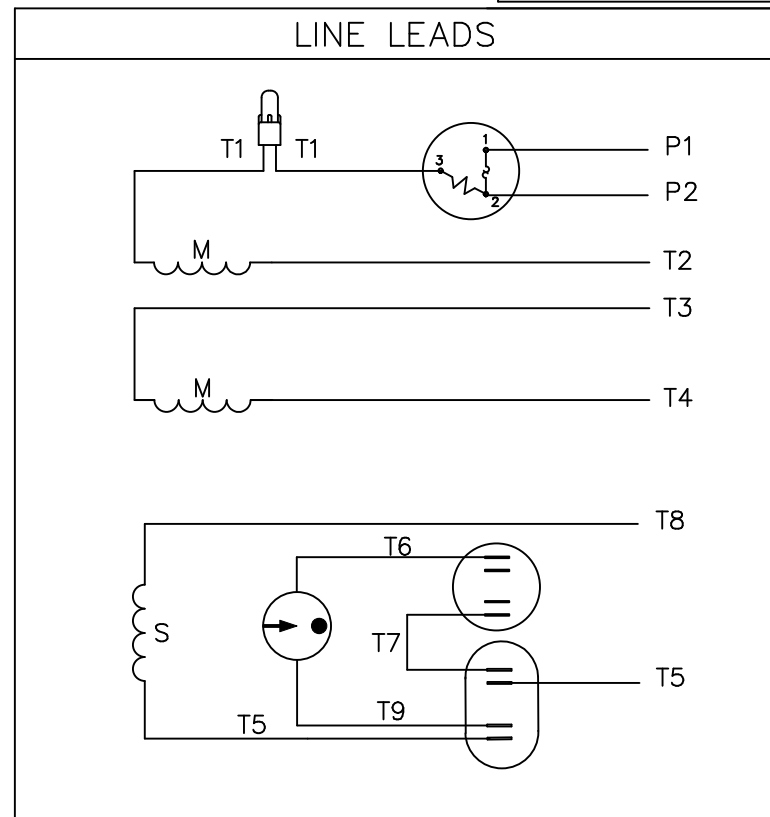
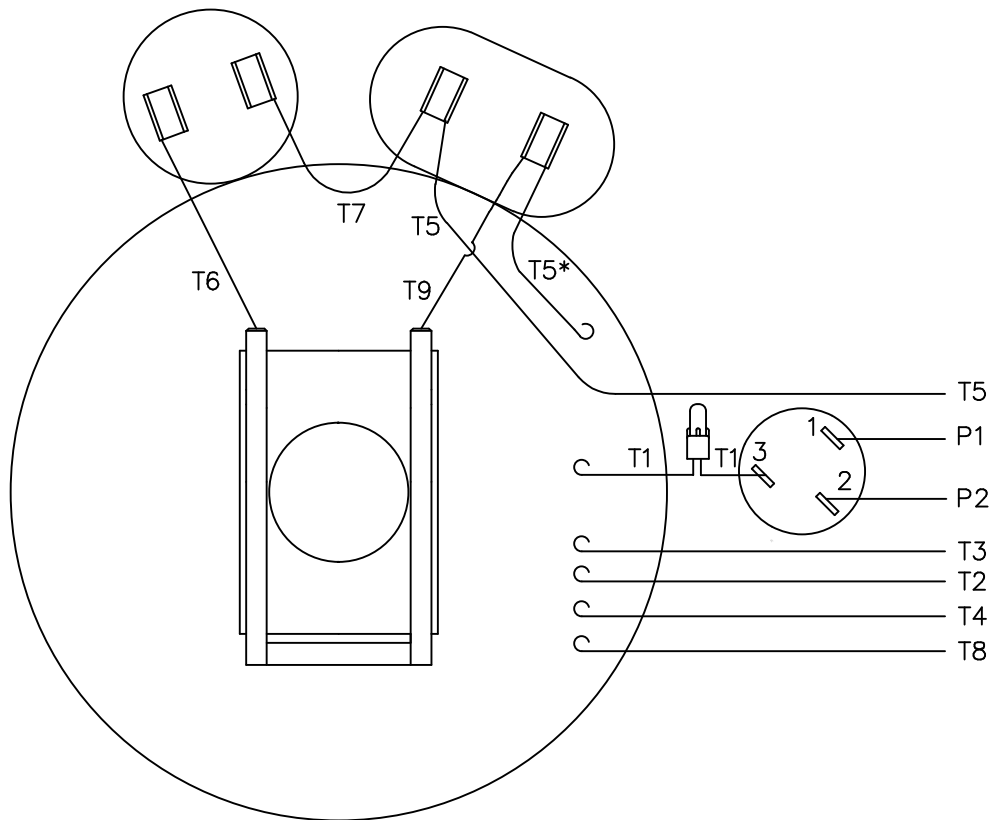


DASH NO.	"C"	"AD"	CAP DASH	"XO"
550	10.99	2.63		
600	11.49	3.13		
650	11.99	3.63		
700	12.49	4.13	A	1.15
750	12.99	4.63	A	1.15
800	13.49	5.13	B	1.60
850	13.99	5.63	C	1.82

- NOTES:
 1) MANUAL OVERLOAD PROTECTOR.
 2) FLINGER ON SHAFT.
 3) GASKETS THROUGHOUT.
 4) DRAIN HOLE IN FRAME (BOTH ENDS).

TOLERANCES UNLESS SPECIFIED		ELECTRIC MOTORS GEARMOTORS AND DRIVES		DRAWN GWS 2/8/2012	
DEC	INCHES			CHK	
X	±.1			APPR	
XX	±.03	TITLE OUTLINE - 56 FRAME		SCALE	1:2
XXX	±.005	TEFC - RIGID		REF	028809
XXXX	±.0005	MATL		FMF	117690
NO	REVISION	BY & DATE	CHK LANG ±1/2"	FINISH	PAGE OF
THIRD ANGLE PROJECTION			RFP	PREV	SIZE B
			NETWORK FILE NAME	607-0033	DRAWING NO 607-0033
					REV

VIEW FROM OUTSIDE OF MOTOR AT SWITCH END.



	ROTATION FACING LEAD END	L1	L2	JOIN	INSULATE SEPARATELY
HIGH VOLT	C.C.W.	P1	T4 T5	T2,T3 T8	P2
	C.W.	P1	T4 T8	T2,T3 T5	P2
LOW VOLT	C.C.W.	P1	T2,T4 T5	P2,T3 T8	-----
	C.W.	P1	T2,T4 T8	P2,T3 T5	-----

* THIS LEAD MAY BE WHITE

		TOLERANCES UNLESS SPECIFIED	
		DEC.	INCHES
		.X	±.1
		.XX	±.01
04	ADDED "*" TO T5	RLW 7/22/02	.XXX ±.005
03	REDRAWN ON CAD	DBT 05/27/97	.XXXX ±.0005
NO.	REVISION	BY & DATE	CHK ANG ±1/2"

REGAL-BELOIT

DRAWN ADH 06/16/76
CHK WRK 06/30/76
APPD
SCALE 1=1
REF
FINISH DECAL 004011
PREV

TITLE EXTERNAL WIRING DIAGRAM TYPE "K" W/PROTECTOR		CAD FILE 00505302	SIZE A	DRAWING NO. 005053-02	REV. 04
--	--	----------------------	-----------	--------------------------	------------

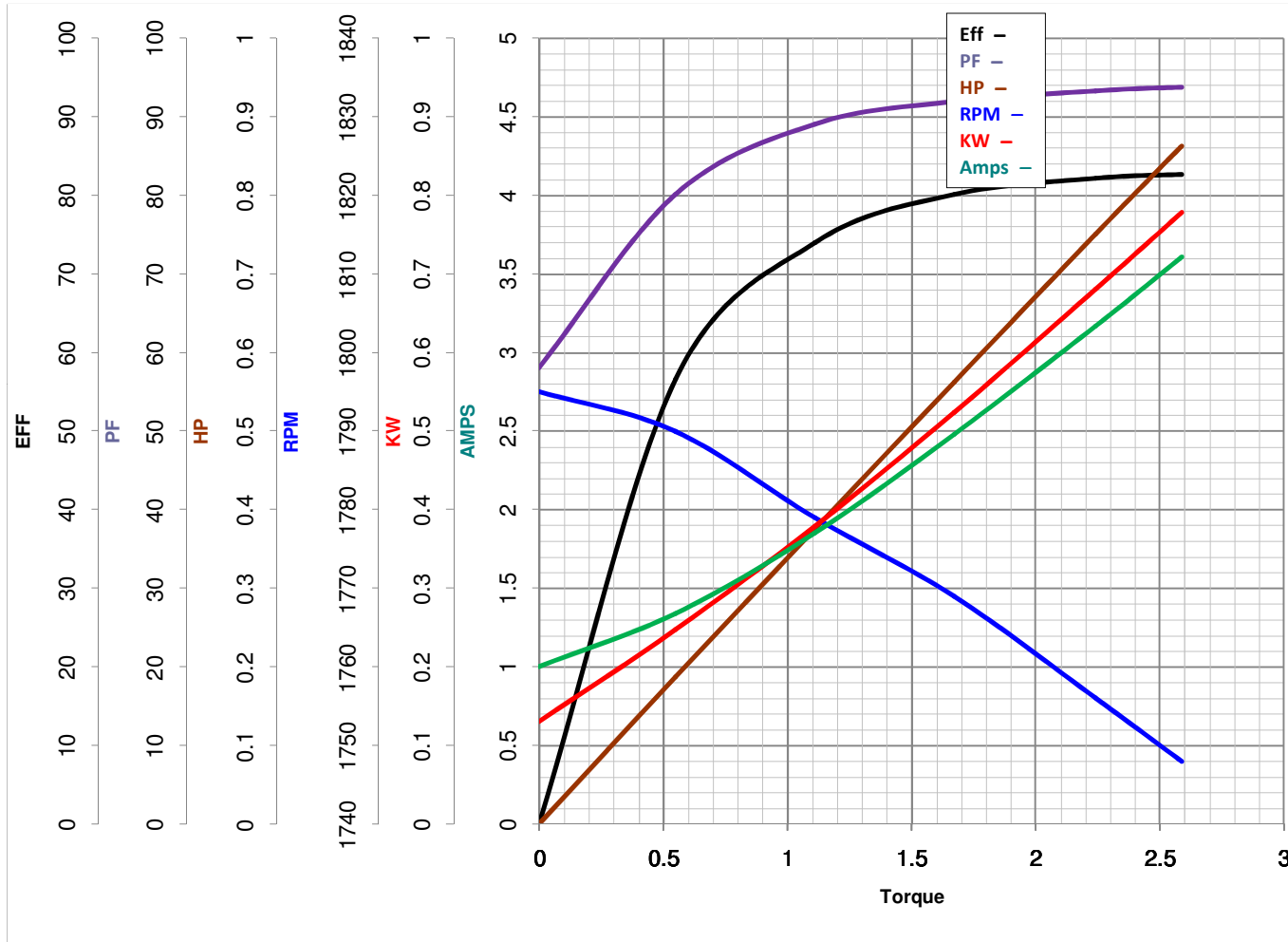


LEESON ELECTRIC CORPORATION
TYPICAL PERFORMANCE CURVE for AC MOTOR

Model No 117691.00

Catalog No 117691.00

Curve at 230 Volts HP 0.76 PHASE 1
60 HZ
0.75 HP VOLTS 115/208-230
HZ 60 RPM 1725



Torque in Oz.Ft

FL TORQUE 35.84 Oz.Ft
 BD TORQUE 95.2 Oz.Ft
 LR TORQUE 101.8 Oz.Ft

FL AMPS 6.4/3.2
 PU TORQUE 87.5 Oz.Ft
 LR AMPS 24.3

WINDING K634342-3

Date 4/23/2018