

PRODUCT INFORMATION PACKET



Model No: M6K17FB57A

Catalog No: 117690.00

..1/2HP..1725RPM.56.TEFC.115/208-230V.1PH.60HZ.CONT.40C.1.15SF.RIGID.M6K17FB57.....FARM
DUTY.MANUAL.....

Agricultural



Regal and Leeson are trademarks of Regal Beloit Corporation or one of its affiliated companies.

©2018 Regal Beloit Corporation, All Rights Reserved. MC017097E





Nameplate Specifications

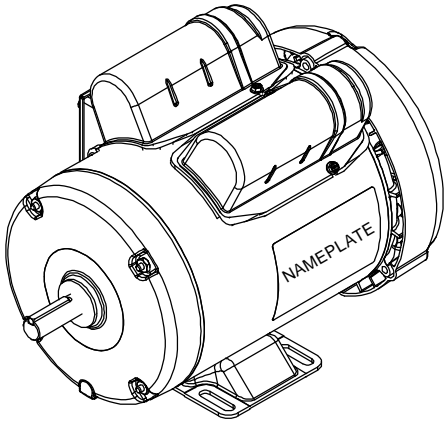
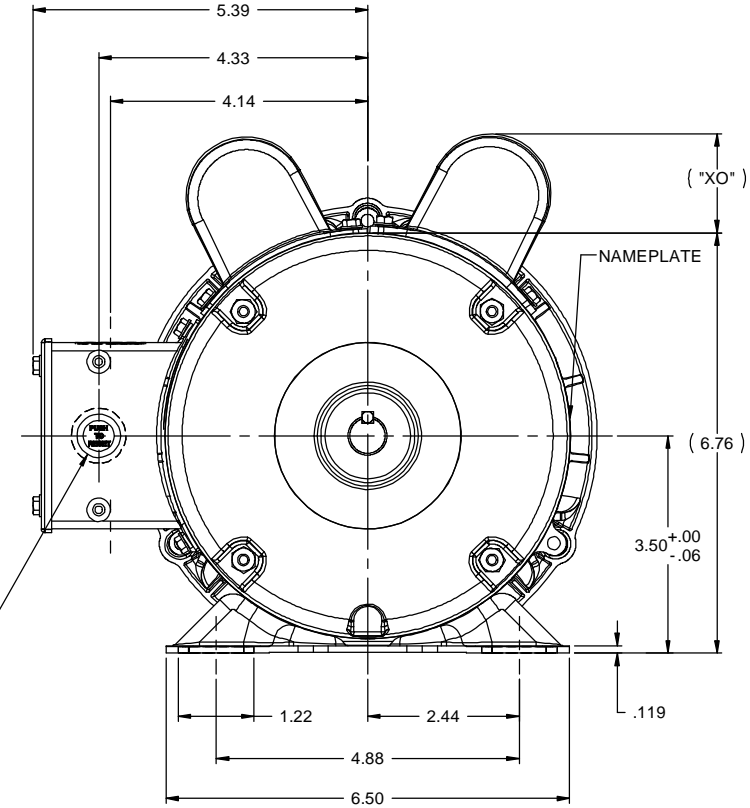
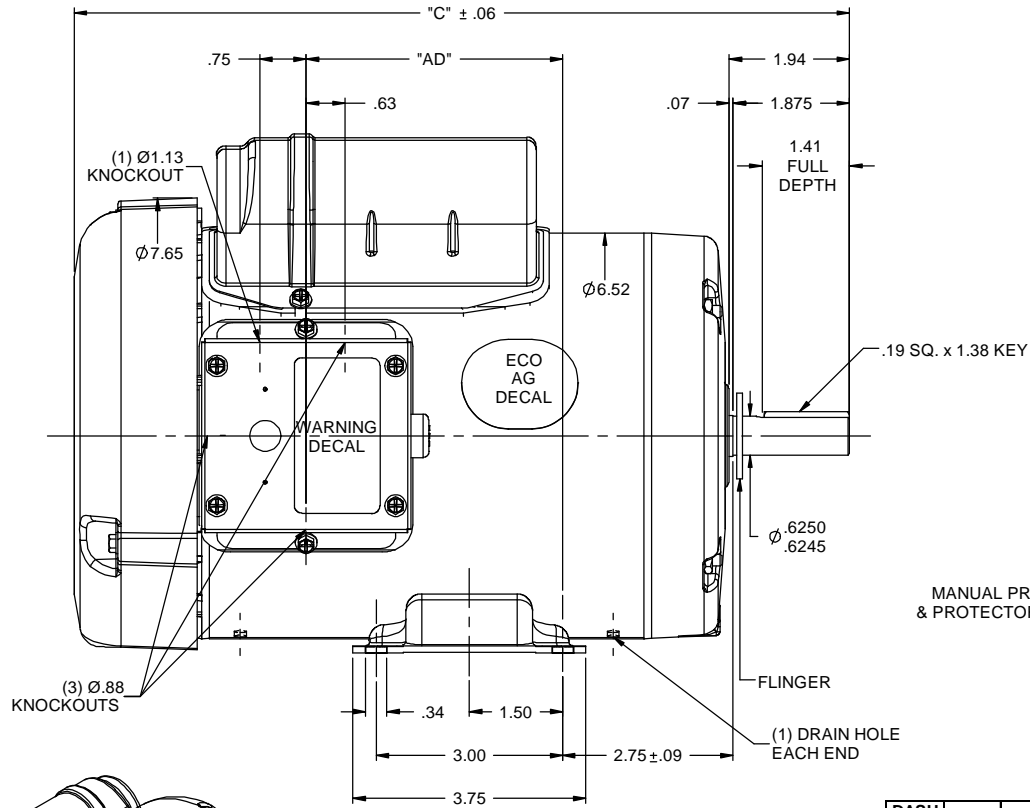
| | | | |
|----------------------------|------------------------------------|------------------------|----------------------|
| Output HP | 0.50 Hp | Output KW | 0.37 kW |
| Frequency | 60 Hz | Voltage | 115/208-230 V |
| Current | 5.0/2.5 A | Speed | 1725 rpm |
| Service Factor | 1.15 | Phase | 1 |
| Efficiency | 78 % | Duty | Continuous |
| Insulation Class | B | Design Code | N |
| KVA Code | J | Frame | 56 |
| Enclosure | Totally Enclosed Fan Cooled | Overload Protector | Manual |
| Ambient Temperature | 40 °C | Drive End Bearing Size | 6203 |
| Opp Drive End Bearing Size | 6203 | UL | Recognized |
| CSA | Y | CE | N |
| IP Code | 43 | | |

Technical Specifications

| | | | |
|-----------------------|--------------------------------------|-----------------------|-----------------------------------|
| Electrical Type | Capacitor Start Capacitor Run | Starting Method | Across The Line |
| Poles | 4 | Rotation | Selective Counterclockwise |
| Mounting | Rigid base | Motor Orientation | HORIZONTAL |
| Drive End Bearing | BALL | Opp Drive End Bearing | BALL |
| Frame Material | Rolled Steel | Shaft Type | NEMA 56 |
| Overall Length | 11.49 in | Frame Length | 6.00 in |
| Shaft Diameter | 0.625 in | Shaft Extension | 1.88 in |
| Assembly/Box Mounting | F1 ONLY | | |
| Outline Drawing | 607-0033-600B | Connection Diagram | 005053.02 |

This is an uncontrolled document once printed or downloaded and is subject to change without notice. Date Created: 10/15/2018

RBC PROPRIETARY AND CONFIDENTIAL INFORMATION
 This document is the property of REGAL BELOIT CORPORATION ("RBC") including its subsidiaries and divisions and contains proprietary information of RBC. This document is loaned on the express condition that neither it nor the information contained therein shall be disclosed to others without the express written consent of RBC, and that the information shall be used by the recipient only as approved expressly by RBC. This document shall be returned to RBC upon its request. This document may be subject to certain restrictions under U.S. export control laws and regulations.

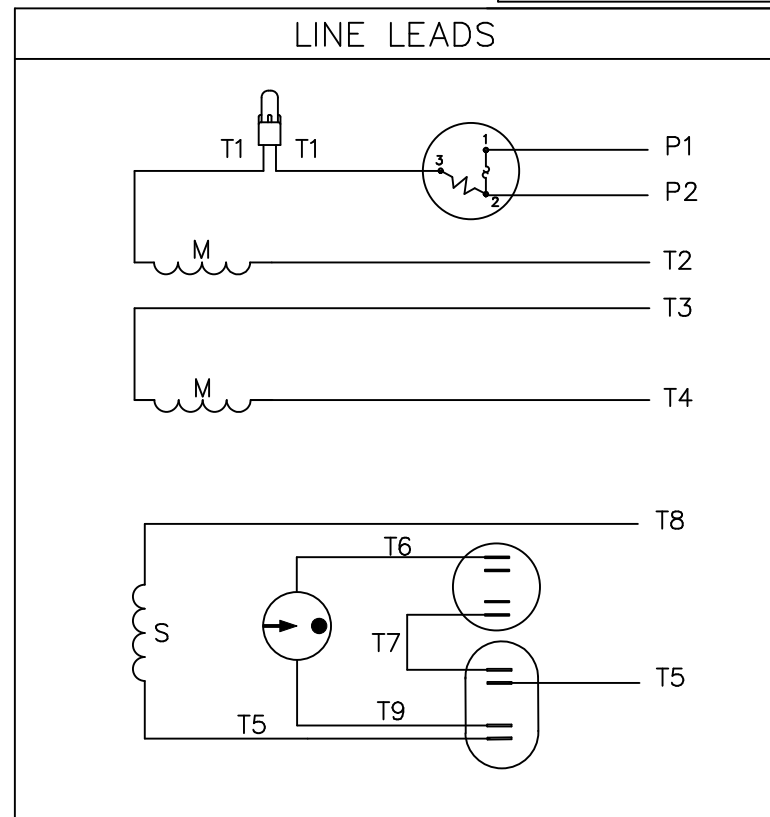
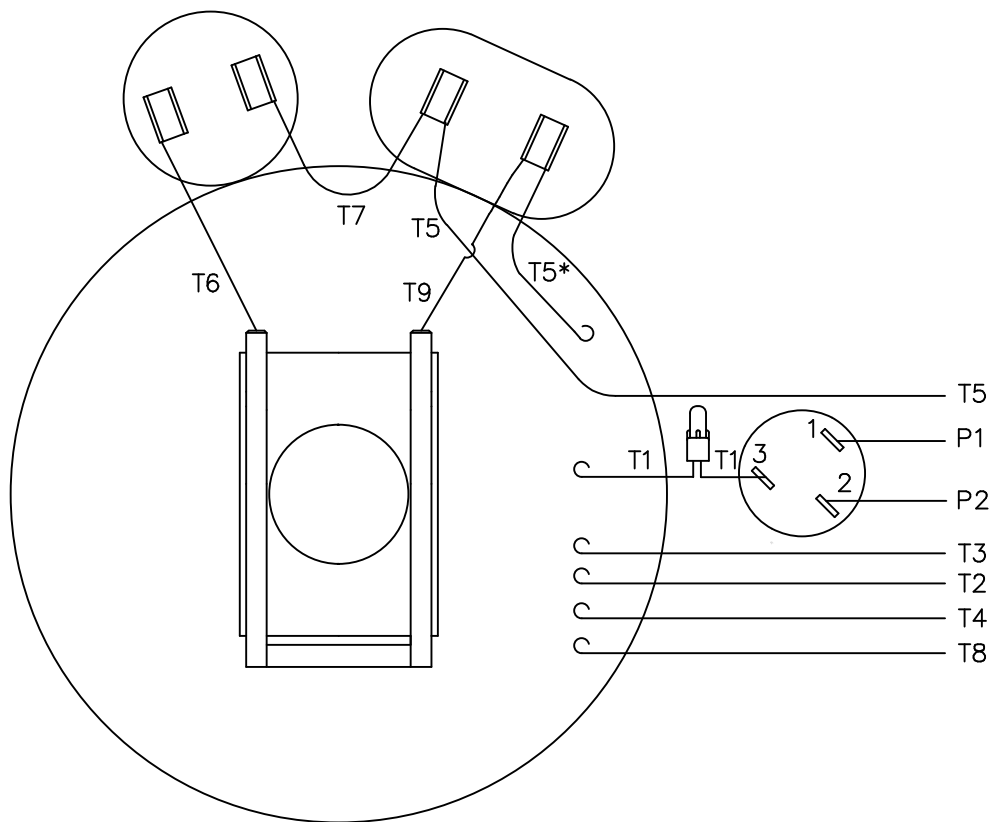


| DASH NO. | "C" | "AD" | CAP DASH | "XO" |
|----------|-------|------|----------|------|
| 550 | 10.99 | 2.63 | | |
| 600 | 11.49 | 3.13 | | |
| 650 | 11.99 | 3.63 | | |
| 700 | 12.49 | 4.13 | A | 1.15 |
| 750 | 12.99 | 4.63 | B | 1.60 |
| 800 | 13.49 | 5.13 | C | 1.82 |
| 850 | 13.99 | 5.63 | | |

- NOTES:
 1) MANUAL OVERLOAD PROTECTOR.
 2) FLINGER ON SHAFT.
 3) GASKETS THROUGHOUT.
 4) DRAIN HOLE IN FRAME (BOTH ENDS).

| | | | | |
|-----------------------------|----------|---|--------------------|---------------------|
| TOLERANCES UNLESS SPECIFIED | | LEESON ELECTRIC MOTORS GEARMOTORS AND DRIVES | | DRAWN GWS 2/8/2012 |
| DEC | INCHES | | | CHK |
| X | ±.1 | | | APPR |
| XX | ±.03 | TITLE | OUTLINE - 56 FRAME | SCALE 1:2 |
| XXX | ±.005 | TEFC - RIGID | | REF 028809 |
| XXXX | ±.0005 | MATL | | FMF 117690 |
| NO | REVISION | BY & DATE | CHK LANG ±1/2" | FINISH |
| THIRD ANGLE PROJECTION | | RFP | PREV | SIZE B |
| | | NETWORK FILE NAME 607-0033 | | DRAWING NO 607-0033 |
| | | | | REV |

VIEW FROM OUTSIDE OF MOTOR AT SWITCH END.



| | ROTATION FACING LEAD END | L1 | L2 | JOIN | INSULATE SEPARATELY |
|-----------|--------------------------|----|-------------|-------------|---------------------|
| HIGH VOLT | C.C.W. | P1 | T4 T5 | T2,T3 T8 | P2 |
| | C.W. | P1 | T4 T8 | T2,T3 T5 | P2 |
| LOW VOLT | C.C.W. | P1 | T2,T4 T5 | P2,T3 T8 | ----- |
| | C.W. | P1 | T2,T4 T8 | P2,T3 T5 | ----- |

* THIS LEAD MAY BE WHITE

| | | TOLERANCES UNLESS SPECIFIED | |
|-----|-----------------|-----------------------------|---------------|
| | | DEC. | INCHES |
| | | .X | ±.1 |
| | | .XX | ±.01 |
| 04 | ADDED "*" TO T5 | RLW 7/22/02 | .XXX ±.005 |
| 03 | REDRAWN ON CAD | DBT 05/27/97 | .XXXX ±.0005 |
| NO. | REVISION | BY & DATE | CHK ANG ±1/2" |

REGAL-BELOIT *Motor Technologies Group*

TITLE: EXTERNAL WIRING DIAGRAM
TYPE "K" W/PROTECTOR

| | |
|-------|--------------|
| DRAWN | ADH 06/16/76 |
| CHK | WRK 06/30/76 |
| APPD | |
| SCALE | 1=1 |
| REF | |
| FMF | 6K17FB8A |
| PREV | |

| | | | | | |
|------|----------|----------|------|-------------|------|
| RFP | CAD FILE | 00505302 | SIZE | DRAWING NO. | REV. |
| DIST | | | A | 005053-02 | 04 |



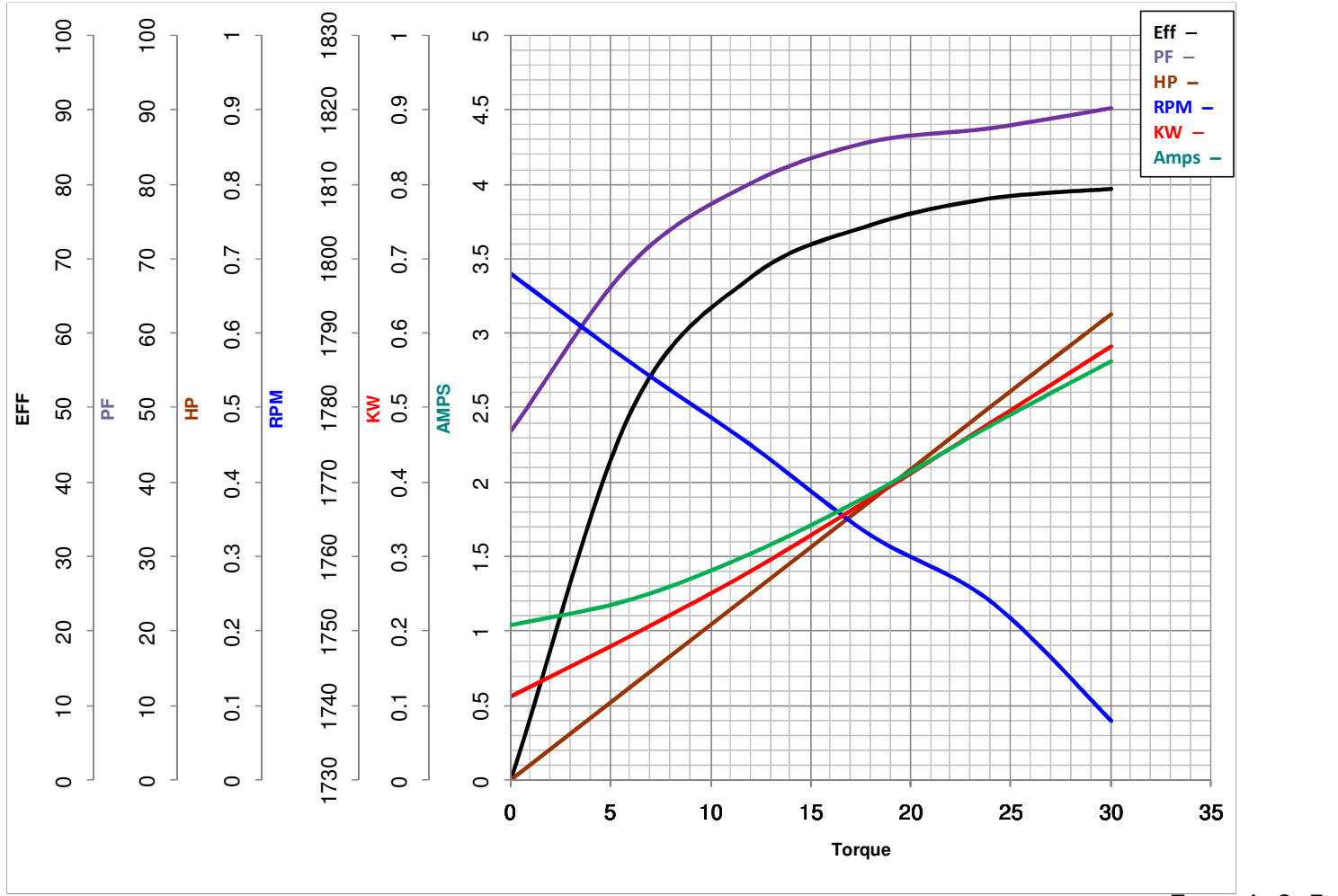
LEESON ELECTRIC CORPORATION
 TYPICAL PERFORMANCE CURVE for AC MOTOR

Model No 117690.00

Catalog No 117690.00

Curve at 230 Volts HP 0.50 PHASE 1
60 HZ
0.5 HP VOLTS 115/208-230

HZ 60 RPM 1725



| | | | | | |
|-----------|-------------|-------|-----------|------------------|-------|
| FL TORQUE | <u>24</u> | Oz.Ft | FL AMPS | <u>5/2.5</u> | |
| BD TORQUE | <u>70.0</u> | Oz.Ft | PU TORQUE | <u>48.0</u> | Oz.Ft |
| LR TORQUE | <u>78</u> | Oz.Ft | LR AMPS | <u>16.6</u> | |
| WINDING | K634341-3 | | Date | <u>4/24/2018</u> | |