

PRODUCT INFORMATION PACKET



Model No: M6K17FB56A

Catalog No: 117689.00

..1/3HP..1800RPM.56.TEFC.115/208-230.1PH.60HZ.CONT.40C.1.15SF.RIGID.M6K17FB56.....FARM
DUTY.MANUAL.....

Agricultural



Regal and Leeson are trademarks of Regal Beloit Corporation or one of its affiliated companies.

©2018 Regal Beloit Corporation, All Rights Reserved. MC017097E





Nameplate Specifications

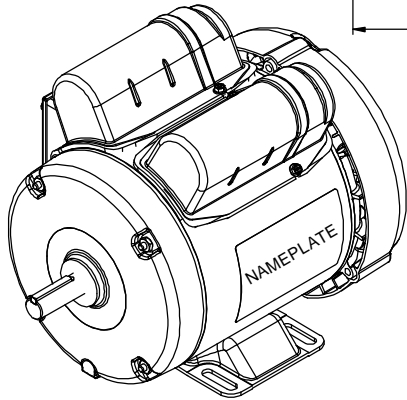
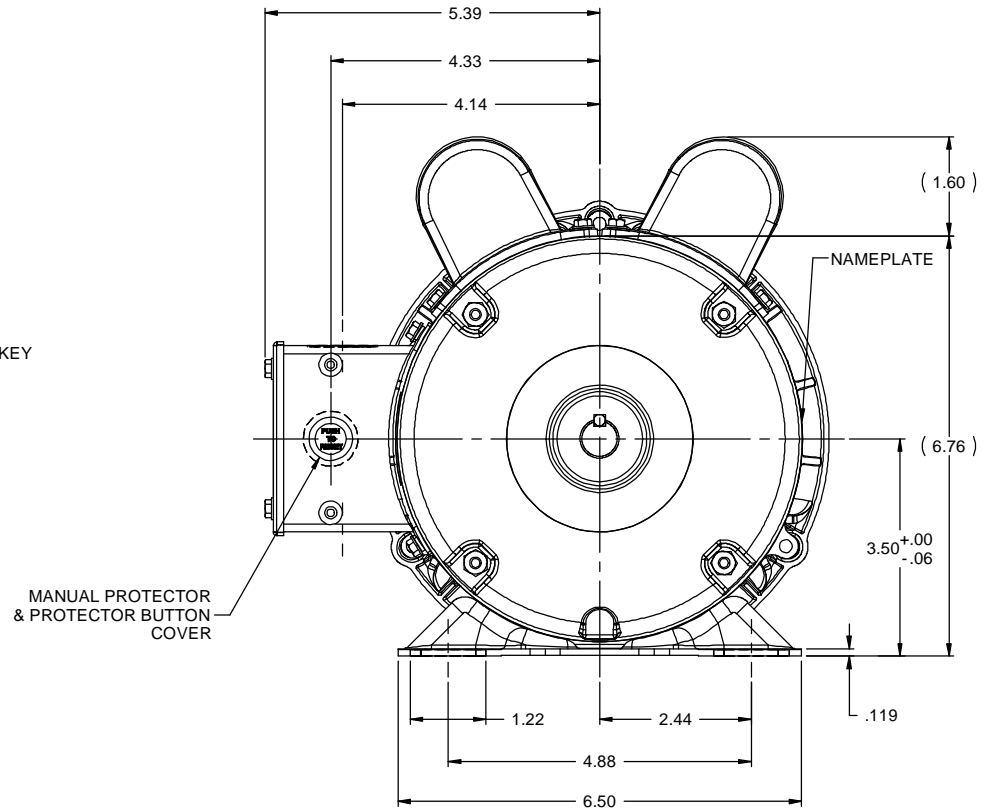
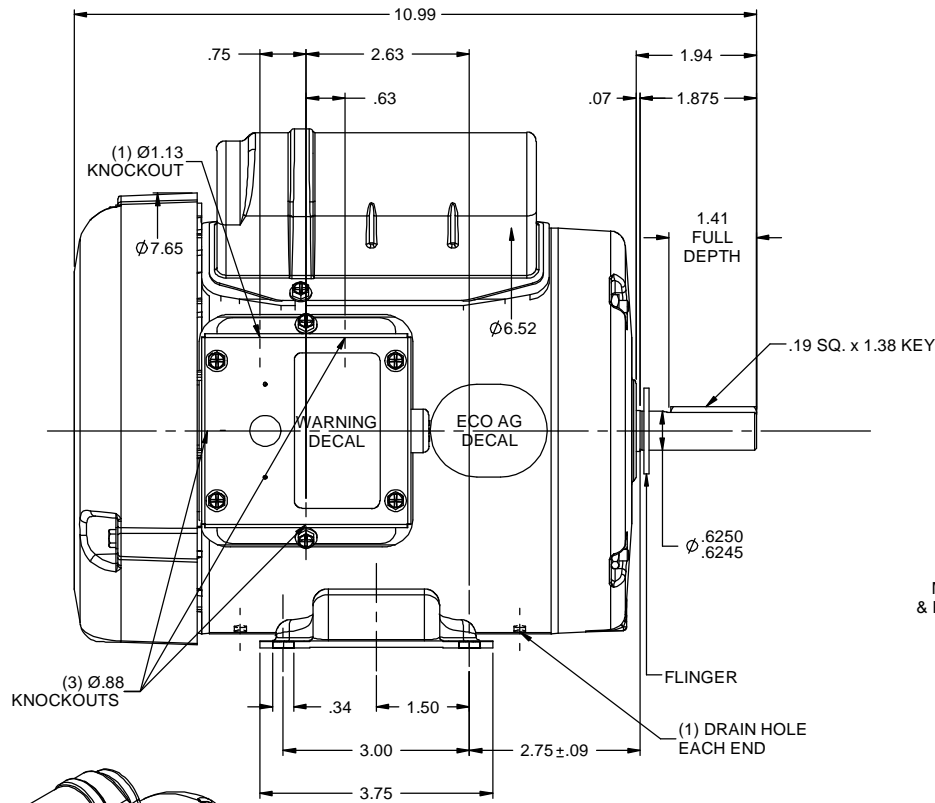
Output HP	0.33 Hp	Output KW	0.25 kW
Frequency	60 Hz	Voltage	115/208-230 V
Current	3.4/1.7 A	Speed	1725 rpm
Service Factor	1.15	Phase	1
Efficiency	76 %	Duty	Continuous
Insulation Class	F	Design Code	N
KVA Code	J	Frame	56
Enclosure	Totally Enclosed Fan Cooled	Overload Protector	Manual
Ambient Temperature	40 °C	Drive End Bearing Size	6203
Opp Drive End Bearing Size	6203	UL	Recognized
CSA	Y	CE	N
IP Code	43		

Technical Specifications

Electrical Type	Capacitor Start Capacitor Run	Starting Method	Across The Line
Poles	4	Rotation	Selective Counterclockwise
Mounting	Rigid base	Motor Orientation	HORIZONTAL
Drive End Bearing	BALL	Opp Drive End Bearing	BALL
Frame Material	Rolled Steel	Shaft Type	NEMA 56
Overall Length	10.99 in	Frame Length	5.50 in
Shaft Diameter	0.625 in	Shaft Extension	1.88 in
Assembly/Box Mounting	F1 ONLY		
Outline Drawing	OL117689	Connection Diagram	005053.02

This is an uncontrolled document once printed or downloaded and is subject to change without notice. Date Created: 10/15/2018

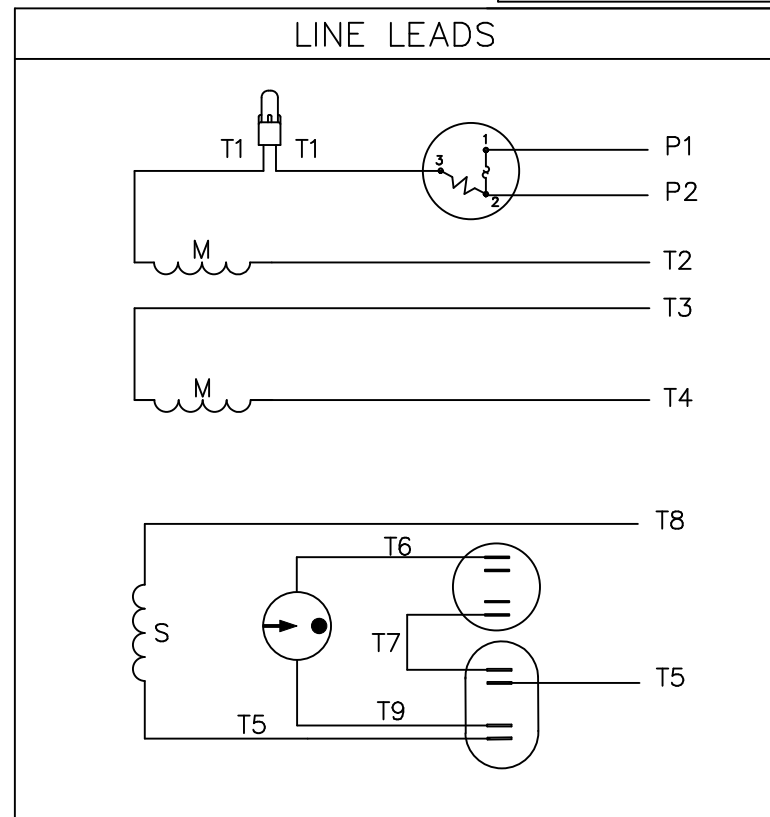
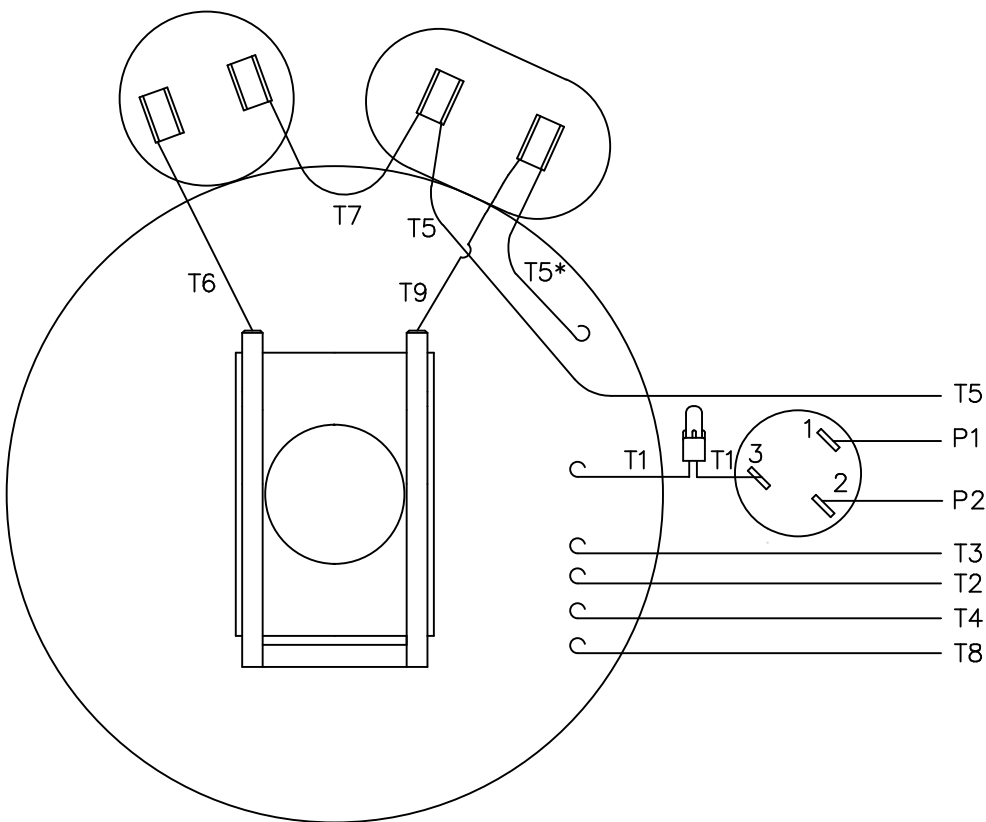
RBC PROPRIETARY AND CONFIDENTIAL INFORMATION
 This document is the property of REGAL BELOIT CORPORATION ("RBC") including its subsidiaries and divisions and contains proprietary information of RBC. This document is loaned on the express condition that neither it nor the information contained therein shall be disclosed to others without the express written consent of RBC, and that the information shall be used by the recipient only as approved expressly by RBC. This document shall be returned to RBC upon its request. This document may be subject to certain restrictions under U.S. export control laws and regulations.



- NOTES:
 1) MANUAL OVERLOAD PROTECTOR.
 2) FLINGER ON SHAFT.
 3) GASKETS THROUGHOUT.
 4) DRAIN HOLE IN FRAME (BOTH ENDS).

TOLERANCES UNLESS SPECIFIED				LEESON	ELECTRIC MOTORS GEARMOTORS AND DRIVES	DRAWN JD 10/31/11
DEC	INCHES	CHK				
X	±.1					
XX	±.03			TITLE	OUTLINE - 56 FRAME	SCALE 1:2
XXX	±.005				TEFC - RIGID	REF 028809
01	ECO AG DECAL WAS EFF DECAL ISAAC 11-5566	GS	2/7/12	MATL		FMF 117689.00
NO	REVISION	BY & DATE	CHK	ANG	±1/2°	PAGE OF
THIRD ANGLE PROJECTION				PREV	SIZE	DRAWING NO
				NETWORK FILE NAME	OL117689	REV
				SIZE	B	OL117689
						01

VIEW FROM OUTSIDE OF MOTOR AT SWITCH END.



	ROTATION FACING LEAD END	L1	L2	JOIN	INSULATE SEPARATELY
HIGH VOLT	C.C.W.	P1	T4 T5	T2,T3 T8	P2
	C.W.	P1	T4 T8	T2,T3 T5	P2
LOW VOLT	C.C.W.	P1	T2,T4 T5	P2,T3 T8	-----
	C.W.	P1	T2,T4 T8	P2,T3 T5	-----

* THIS LEAD MAY BE WHITE

		TOLERANCES UNLESS SPECIFIED	
		DEC.	INCHES
		.X	±.1
		.XX	±.01
04	ADDED "*" TO T5	RLW 7/22/02	.XXX ±.005
03	REDRAWN ON CAD	DBT 05/27/97	.XXXX ±.0005
NO.	REVISION	BY & DATE	CHK ANG ±1/2"

REGAL-BELOIT *Motor Technologies Group*

TITLE: EXTERNAL WIRING DIAGRAM
TYPE "K" W/PROTECTOR

DRAWN	ADH 06/16/76
CHK	WRK 06/30/76
APPD	
SCALE	1=1
REF	
FMF	6K17FB8A
PREV	

RFP	CAD FILE	00505302	SIZE	DRAWING NO.	REV.
DIST			A	005053-02	04

