

# PRODUCT INFORMATION PACKET



Model No: M6C17FK86D

Catalog No: 116922.00

..3/4HP..1725RPM.56.TEFC.115/208-230V.1PH.60HZ.CONT.40C.1.15SF.RIGID  
C.M6C17FK86D.....GENERAL PURPOSE.MANUAL.....

Totally Enclosed Fan Cooled (TEFC)



Regal and Leeson are trademarks of Regal Beloit Corporation or one of its affiliated companies.

©2018 Regal Beloit Corporation, All Rights Reserved. MC017097E





### Nameplate Specifications

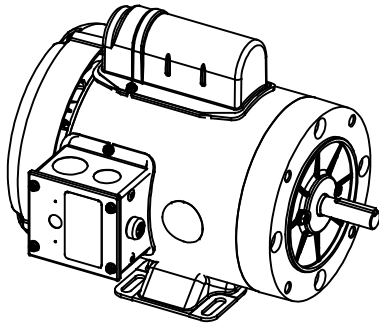
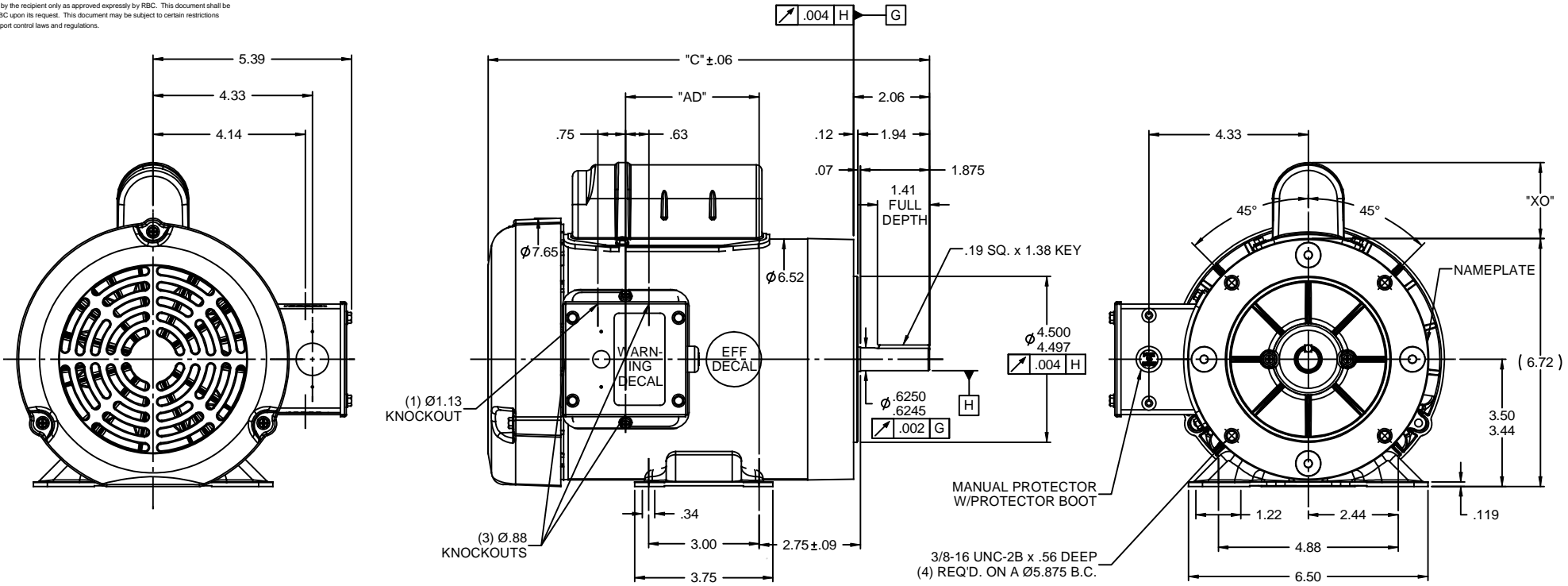
Output HP	<b>0.75 Hp</b>	Output KW	<b>0.56 kW</b>
Frequency	<b>60 Hz</b>	Voltage	<b>115/208-230 V</b>
Current	<b>10.8/5.4 A</b>	Speed	<b>1725 rpm</b>
Service Factor	<b>1.15</b>	Phase	<b>1</b>
Efficiency	<b>70 %</b>	Duty	<b>Continuous</b>
Insulation Class	<b>B</b>	Design Code	<b>N</b>
KVA Code	<b>L</b>	Frame	<b>56C</b>
Enclosure	<b>Totally Enclosed Fan Cooled</b>	Overload Protector	<b>Manual</b>
Ambient Temperature	<b>40 °C</b>	Drive End Bearing Size	<b>6203</b>
Opp Drive End Bearing Size	<b>6203</b>	UL	<b>Recognized</b>
CSA	<b>Y</b>	CE	<b>N</b>
IP Code	<b>43</b>		

### Technical Specifications

Electrical Type	<b>Capacitor Start Induction Run</b>	Starting Method	<b>Across The Line</b>
Poles	<b>4</b>	Rotation	<b>Selective Counterclockwise</b>
Mounting	<b>Rigid base</b>	Motor Orientation	<b>HORIZONTAL</b>
Drive End Bearing	<b>BALL</b>	Opp Drive End Bearing	<b>BALL</b>
Frame Material	<b>Rolled Steel</b>	Shaft Type	<b>NEMA 56</b>
Overall Length	<b>11.48 in</b>	Frame Length	<b>6.00 in</b>
Shaft Diameter	<b>0.625 in</b>	Shaft Extension	<b>1.88 in</b>
Assembly/Box Mounting	<b>F1 ONLY</b>		
Outline Drawing	<b>028851-600B</b>	Connection Diagram	<b>005003.03</b>

**This is an uncontrolled document once printed or downloaded and is subject to change without notice. Date Created: 10/15/2018**

RBC PROPRIETARY AND CONFIDENTIAL INFORMATION  
 This document is the property of REGAL BELOIT CORPORATION ("RBC") including its subsidiaries and divisions and contains proprietary information of RBC. This document is loaned on the express condition that neither it nor the information contained therein shall be disclosed to others without the express written consent of RBC, and that the information shall be used by the recipient only as approved expressly by RBC. This document shall be returned to RBC upon its request. This document may be subject to certain restrictions under U.S. export control laws and regulations.



DASH NO.	"C"	"AD"	CAP DASH	"XO"
550	10.98	2.62	A	1.54
600	11.48	3.12	B	2.01
650	11.98	3.62	C	2.25
700	12.48	4.12		
750	12.98	4.62		
800	13.48	5.12		

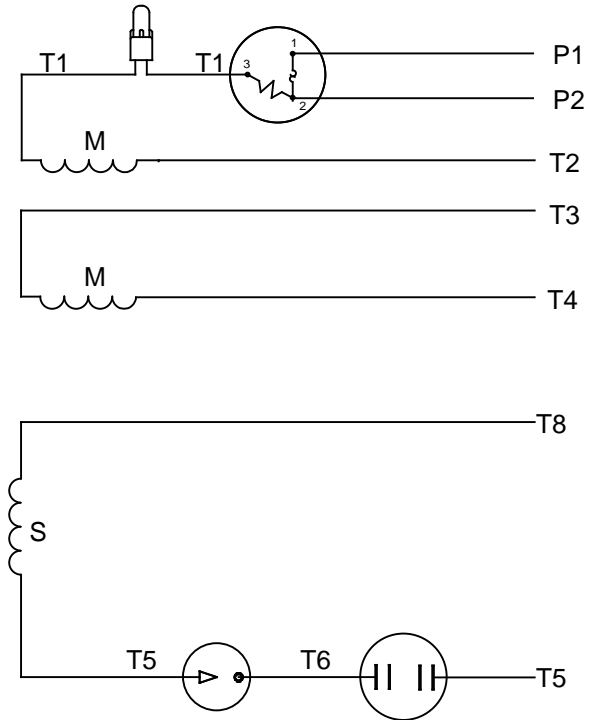
NOTES:  
 1) GASKETS THROUGHOUT

TOLERANCES UNLESS SPECIFIED		DRAWN		ELECTRIC MOTORS GEARMOTORS AND DRIVES		DRAWN	
DEC	INCHES	GRB	DATE	CHK	DATE	GRB	DATE
x	±.1						
.xx	±.03						
.xxx	±.005	GRB	12/1/2008	DJ			
.xxxx	±.0005	GRB	11/21/2008	DJ			
TITLE		OUTLINE - 56C FRAME		SCALE		3:8	
TEFC - "C" FACE		REF		028831			
MAT'L		PAGE		1		OF 1	
REV		NO		DRAWING NO		REV	
NO		REVISION		BY & DATE		SIZE	
THIRD ANGLE PROJECTION		RFP		07/15/2008		B	
NETWORK FILE NAME		PREV		DRAWING NO		028851	
						REV	
						02	

### VIEW FROM OUTSIDE OF MOTOR AT SWITCH END



### LINE LEADS



RBC PROPRIETARY AND CONFIDENTIAL INFORMATION  
 This document is the property of REGAL BELOIT CORPORATION ("RBC") including its subsidiaries and divisions and contains proprietary information of RBC. This document is loaned on the express condition that neither it nor the information contained therein shall be disclosed to others without the express written consent of RBC, and that the information shall be used by the recipient only as approved expressly by RBC. This document shall be returned to RBC upon its request. This document may be subject to certain restrictions under U.S. export control laws and regulations.

	ROTATION FACING LEAD END	L1	L2	JOIN	INSULATE SEPARATELY
HIGH VOLT	C.C.W.	P1	T4 T5	T2,T3 T8	P2
	C.W.	P1	T4 T8	T2,T3 T5	P2
LOW VOLT	C.C.W.	P1	T2,T4 T5	P2,T3 T8	---
	C.W.	P1	T2,T4 T8	P2,T3 T5	---

		TOLERANCES UNLESS SPECIFIED		LEESON	ELECTRIC MOTORS GEARMOTORS AND DRIVES	DRAWN WLV 08/20/79	
		DEC	INCHES			CHK	ADN 08/27/76
		.X	±.1			APPR	WRK 08/27/76
		.XX	±.01	TITLE EXTERNAL WIRING DIAGRAM TYPE "C" W/PROTECTOR		SCALE 1:1	
06	REDRAWN IN SOLIDWORKS	VJB	7/22/2011	.XXX	±.005	REF	
05	REDRAWN ON CAD	DBT	05/27/97	.XXXX	±.0005	FMF	
NO	REVISION	BY & DATE	CHK	ANG	±1/2°	FINISH	PAGE OF
THIRD ANGLE PROJECTION				RFP	PREV	SIZE	DRAWING NO
				NETWORK FILE NAME 00500303		A	005003-03
							REV
							06

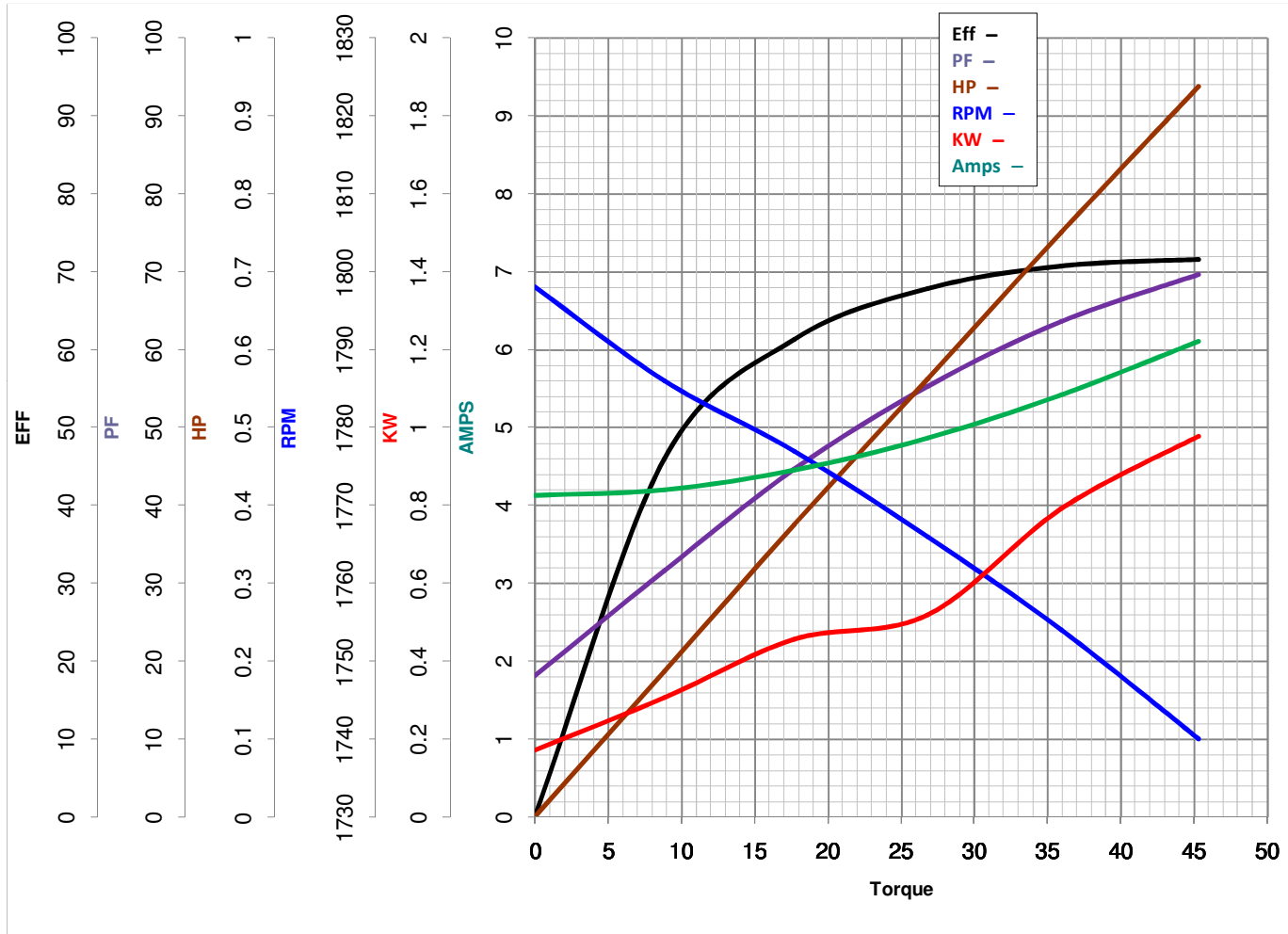


**LEESON ELECTRIC CORPORATION**  
 TYPICAL PERFORMANCE CURVE for AC MOTOR

Model No 116922.00

Catalog No 116922.00

Curve at 230 Volts      HP 0.76      PHASE 1  
60 HZ  
0.75 HP      VOLTS 115/208-230  
    HZ 60      RPM 1725



Torque in Oz.Ft

FL TORQUE 35.94 Oz.Ft  
 BD TORQUE 98.5 Oz.Ft  
 LR TORQUE 114.5 Oz.Ft

FL AMPS 10.8/5.4  
 PU TORQUE 84.2 Oz.Ft  
 LR AMPS 30.1

WINDING C634258-3

Date 3/23/2018