

# PRODUCT INFORMATION PACKET



Model No: P6K34DB27A

Catalog No: 116789.00

..5HP..3450RPM.56.DP.230V.1PH.60HZ.CONT.40C.1.0SF.SPECIAL.P6K34DB27A.....AIR  
COMPRESSOR.MANUAL.....

Air Compressor



Regal and Leeson are trademarks of Regal Beloit Corporation or one of its affiliated companies.

©2018 Regal Beloit Corporation, All Rights Reserved. MC017097E





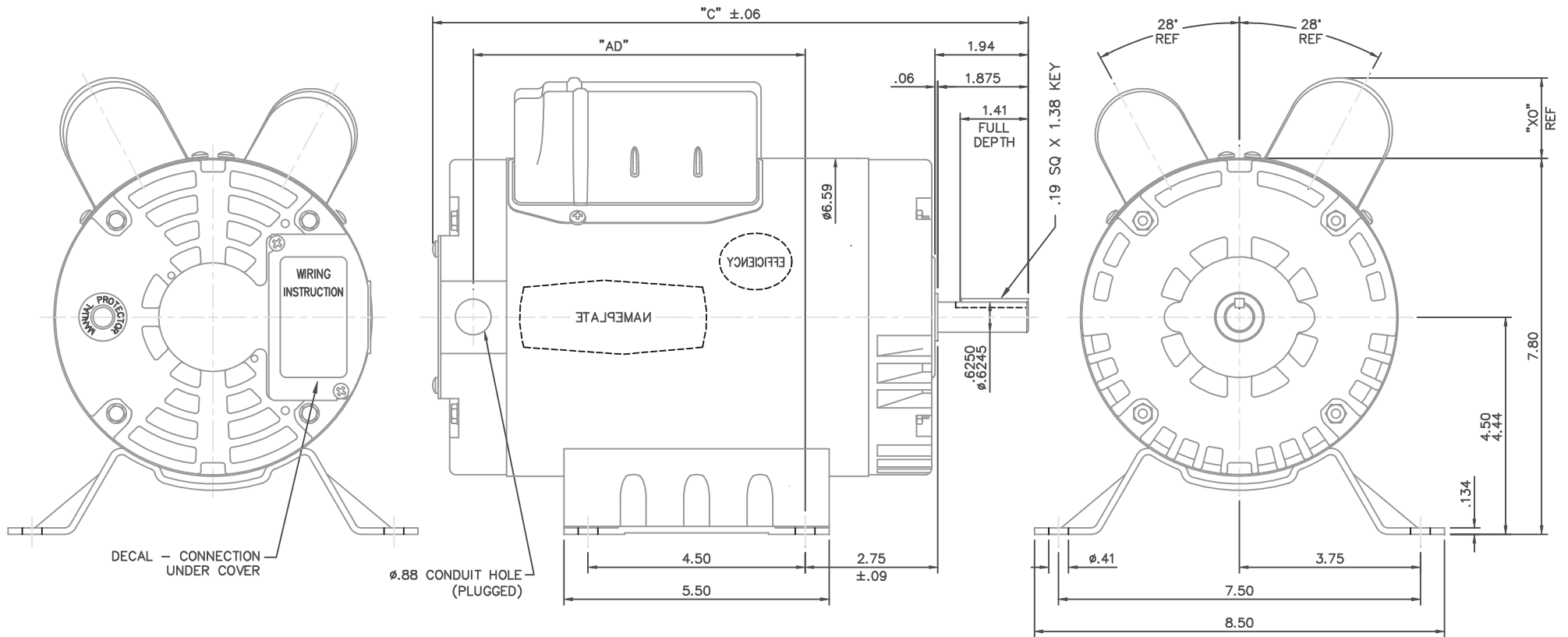
### Nameplate Specifications

Output HP	5 Hp	Output KW	3.7 kW
Frequency	60 Hz	Voltage	230 V
Current	20.8 A	Speed	3450 rpm
Service Factor	1	Phase	1
Efficiency	82.5 %	Duty	Continuous
Insulation Class	F	Design Code	L
KVA Code	E	Frame	56Y
Enclosure	Drip Proof	Overload Protector	Manual
Ambient Temperature	40 °C	Drive End Bearing Size	6205
Opp Drive End Bearing Size	6203	UL	Recognized
CSA	Y	CE	N
IP Code	22		

### Technical Specifications

Electrical Type	Capacitor Start Capacitor Run	Starting Method	Across The Line
Poles	2	Rotation	Selective Counterclockwise
Mounting	Rigid base	Motor Orientation	HORIZONTAL
Drive End Bearing	BALL	Opp Drive End Bearing	BALL
Frame Material	Rolled Steel	Shaft Type	NEMA 56
Overall Length	13.34 in	Frame Length	8.50 in
Shaft Diameter	0.625 in	Shaft Extension	1.87 in
Assembly/Box Mounting	F1 ONLY		
Outline Drawing	028722-850C	Connection Diagram	005056.02

This is an uncontrolled document once printed or downloaded and is subject to change without notice. Date Created: 10/15/2018

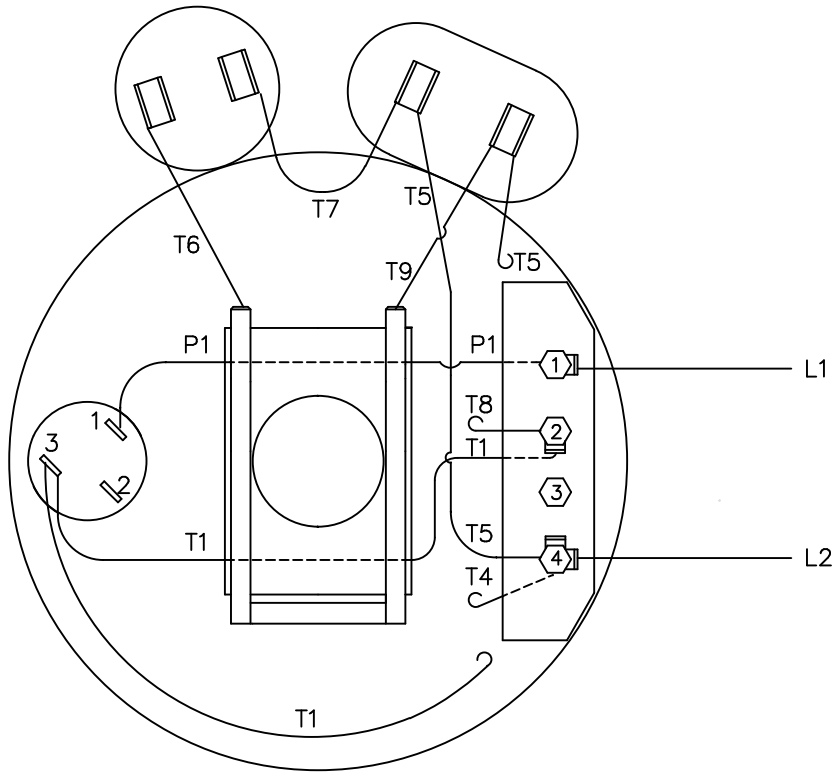


DASH NO.	"C"	"AD"	CAP. DASH	"XO"
700	11.84	6.38	A	1.08
750	12.34	6.88	B	1.42
800	12.84	7.38	C	1.69
850	13.34	7.88		

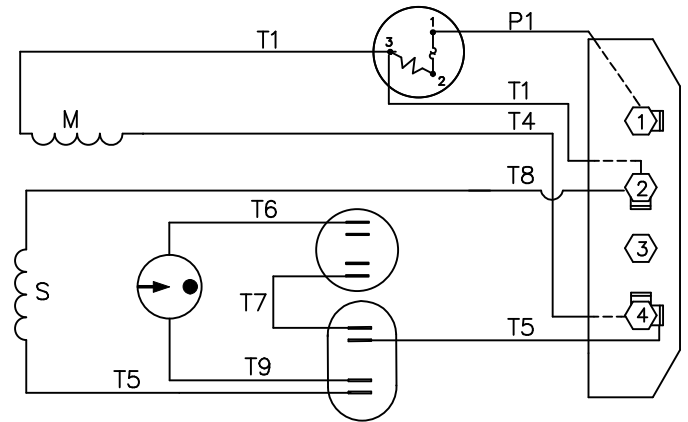
NO.		REVISION	BY & DATE	CHK	ANG	±1/2"	FINISH	PREV		
THIS DRAWING IN DESIGN AND DETAIL IS OUR PROPERTY AND MUST NOT BE USED EXCEPT IN CONNECTION WITH OUR WORK. ALL RIGHTS OF DESIGN AND INVENTION ARE RESERVED. THIS IS AN ELECTRONICALLY GENERATED DOCUMENT - DO NOT SCALE THIS PRINT				RFP	9/21/05	CAD FILE	028722	SIZE B	DRAWING NO. 028722	REV.

TO FRANCES UNLESS SPECIFIED		LEESON ELECTRIC MOTORS GEARMOTORS AND DRIVES		DRAWN	RDW 9/21/05
DEC.	INCHES			CHK	
.X	±.1			APPD	SW 9/21/05
.XX	±.03	TITLE	OUTLINE- 56Y FRAME DRIP PROOF- RIGID	SCALE	1=2
.XXX	±.005	MAT'L	COMPRESSOR DUTY	REF	028586
.XXXX	±.0005			FMF	116789

VIEW FROM OUTSIDE OF MOTOR AT SWITCH END.

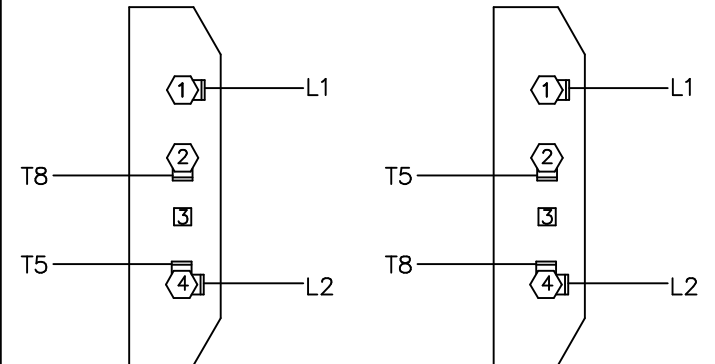


LINE LEADS



C.C.W. L.E. ROTATION

C.W. L.E. ROTATION



TOLERANCES UNLESS OTHERWISE SPECIFIED

DECIMALS

.00 ± .01

.000 ± .005

.0000 ± .0005

FRACTIONS ± 1/64

ANGLES ± 1/2°

INCH/MM

**LEESON** ELECTRIC CORPORATION

DRAWN JRW 12/12/75

CH'K'D. TEM

APPR. 12/17/75

SCALE 1=1

REF.

FMF A6K34DC1

TITLE EXTERNAL WIRING DIAGRAM  
TYPE "K" W/ PROTECTOR

MAT'L. DECAL - 004112

**BRF**

FINISH

SIZE

DRAWING NO.

A

005056-02

10	REDRAWN ON CAD	DBT	06/23/97
NO.	REVISION	BY	DATE

THIS DRAWING IN DESIGN AND DETAIL IS OUR PROPERTY AND MUST NOT BE USED EXCEPT IN CONNECTION WITH OUR WORK ALL RIGHTS OF DESIGN AND INVENTION ARE RESERVED

