

PRODUCT INFORMATION PACKET



Model No: C6T34WC14C
Catalog No: 116774.00
..3/4HP..3450RPM.56.TEFC.208-230/460V.3PH.60HZ.CONT.40C.1.15SF.C
FACE.C6T34WC14C.....WASHGUARD JET PUMP.NOT.....
Jet Pump



Regal and Leeson are trademarks of Regal Beloit Corporation or one of its affiliated companies.
©2018 Regal Beloit Corporation, All Rights Reserved. MC017097E





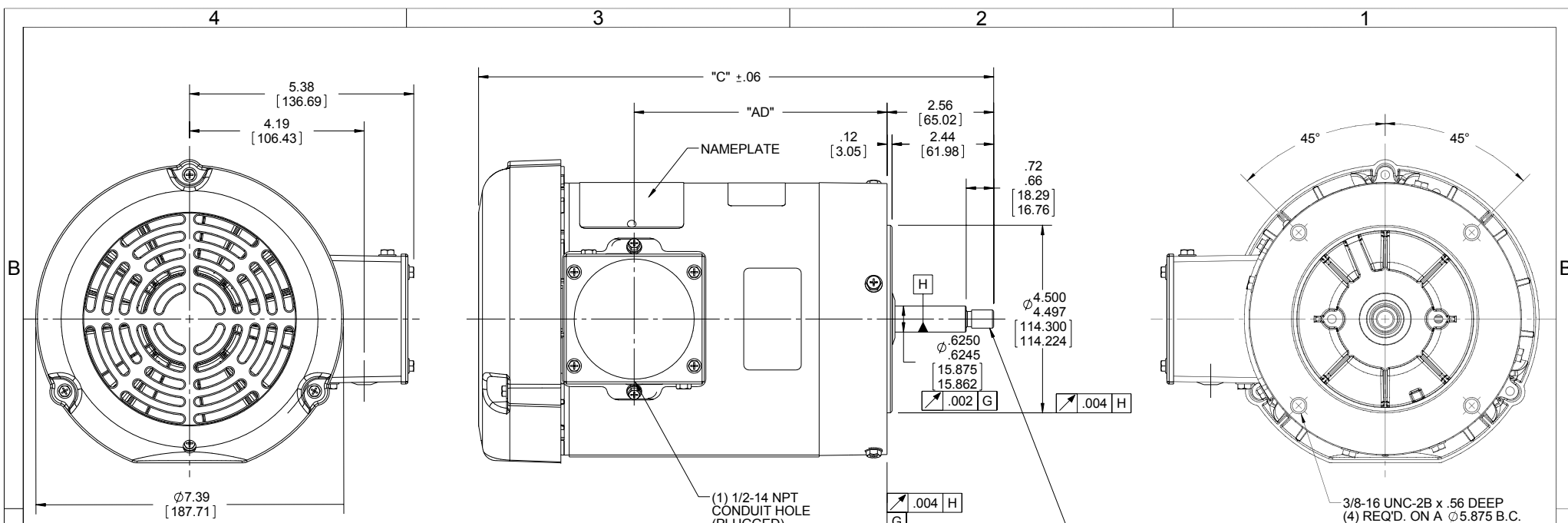
Nameplate Specifications

Output HP	0.75 Hp	Output KW	0.56 kW
Frequency	60 Hz	Voltage	208-230/460 V
Current	2.5-2.4/1.2 A	Speed	3450 rpm
Service Factor	1.15	Phase	3
Efficiency	75.5 %	Duty	Continuous
Insulation Class	F	Design Code	B
KVA Code	J	Frame	56J
Enclosure	Totally Enclosed Fan Cooled	Overload Protector	No
Ambient Temperature	40 °C	Drive End Bearing Size	6205
Opp Drive End Bearing Size	6203	UL	Recognized
CSA	Y	CE	Y
IP Code	55		

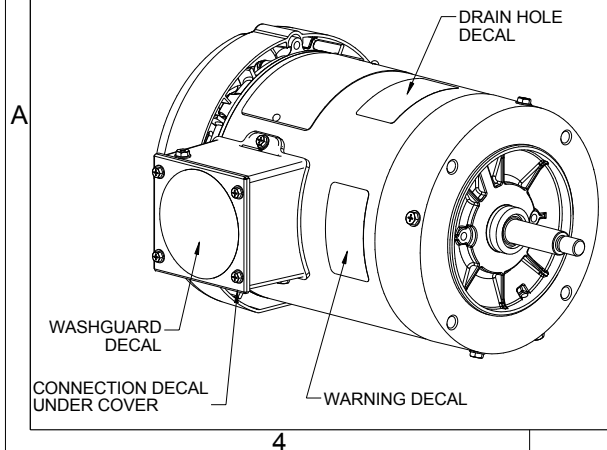
Technical Specifications

Electrical Type	Squirrel Cage Induction Run	Starting Method	Across The Line
Poles	2	Rotation	Reversible
Mounting	Round	Motor Orientation	HORIZONTAL
Drive End Bearing	BALL	Opp Drive End Bearing	BALL
Frame Material	Rolled Steel	Shaft Type	J
Overall Length	11.37 in	Frame Length	5.00 in
Shaft Diameter	0.625 in	Shaft Extension	2.44 in
Assembly/Box Mounting	F1 ONLY		
Outline Drawing	607-0015-500	Connection Diagram	005010.01

This is an uncontrolled document once printed or downloaded and is subject to change without notice. Date Created: 10/15/2018



7/16-20 UNF-2A R.H. THREAD
 ECCENTRICITY OF THREADED
 PORTION OF SHAFT IS HELD WITHIN
 .004 T.I.R. WITH THE INDICATOR ON
 THE O.D. OF THE GROUND RING GAGE
 BEING STATIONARY WITH RESPECT
 TO THE MOTOR.



DASH NO.	"C"	"AD"
450	10.87	4.56
500	11.37	5.06
550	11.87	5.56
600	12.37	6.06
650	12.87	6.56
700	13.37	7.06
750	13.87	7.56
800	14.37	8.06

WASHGUARD MOTOR

- SPECIAL FEATURES:
1. SHAFT SEALS & V-RING.
 2. PLUGGED DRAIN HOLES IN ENDBELLS & CONDUIT BOX.
 3. BUNA-N GASKETS THROUGHOUT.
 4. STAINLESS STEEL SHAFT, HARDWARE & NAMEPLATE.

DRAWING REVISION E	REVISION BY SAJID	DATE 07/06/2015	TOLERANCES UNLESS OTHERWISE SPECIFIED: DEC. INCH mm ANGLE X +0.1 [+2.5] ±7-30° .XX ±0.03 [+0.76] .XXX ±0.005 [+0.127] .XXXX ±0.0005 [+0.0127]	DRAWN BY PG 02/14/11	Regal Beloit America, Inc.
ECO-0080246	APPROVED BY JD	DATE 07/06/2015	REMOVE BURRS & BREAK SHARP EDGES: .003/.015 [.076/.381] X 45° CORNER FILLETS: R.02 [.51] MACHINED SURFACES: 200 5.1 INCH/mm √	DATE	
ECO DESCRIPTION ADDED DASH NO 750 & 800 COPYRIGHT REGAL BELOIT AMERICA, INC. ALL RIGHTS RESERVED. PROPRIETARY AND CONFIDENTIAL INFORMATION - THIS DOCUMENT IS THE PROPERTY OF REGAL BELOIT AMERICA, INC. (OWNER) AND CONTAINS OWNER'S PROPRIETARY INFORMATION. ANY PERSON, CORPORATION OR OTHER FIRM RECEIVING IT IS DEEMED, BY RECEIVING IT, TO AGREE THAT IT, AND/OR ANY PART OF IT, SHALL NOT BE DISCLOSED TO ANY PERSON, CORPORATION OR OTHER ENTITY, DUPLICATED, AND/OR USED, EXCEPT AS EXPRESSLY APPROVED IN WRITING IN ADVANCE BY OWNER. THIS DOCUMENT SHALL BE RETURNED TO OWNER UPON REQUEST. IT MAY BE SUBJECT TO CERTAIN RESTRICTIONS UNDER APPLICABLE EXPORT CONTROL LAWS AND REGULATIONS.			REFERENCE	DATE	DESCRIPTION OUTLINE TEFC - "C" FACE
			THIRD ANGLE PROJECTION	MATERIAL WASHGUARD - JET PUMP	PROCESS/FINISH
			SIZE B	DRAWING NUMBER 607-0015	SHEET 1 OF 1

005010-01

VIEW FROM OUTSIDE OF MOTOR AT SWITCH END.



VOLTAGE	L1	L2	L3	JOIN & INSULATE
HIGH	T1	T2	T3	(T4,T7) (T5,T8) (T6,T9)
LOW	T1,T7	T2,T8	T3,T9	T4,T5,T6

				TOLERANCES UNLESS SPECIFIED		Regal Beloit America, Inc.		DRAWN RDW 04/12/02			
				DEC.	INCHES			CHK			
				.X	±.1			APPD			
				.XX	±.01			SCALE 1=1			
				.XXX	±.005	TITLE		REF FIG.2-51			
A	UPDATED TO REGAL LOGO	SAJ 06/26/15	AJY	.XXXX	±.0005	MAT'L.		FMF			
NO.	REVISION	BY & DATE	CHK	ANG	±1/2"	FINISH		PREV			
THIS DRAWING IN DESIGN AND DETAIL IS OUR PROPERTY AND MUST NOT BE USED EXCEPT IN CONNECTION WITH OUR WORK ALL RIGHTS OF DESIGN AND INVENTION ARE RESERVED THIS IS AN ELECTRONICALLY GENERATED DOCUMENT - DO NOT SCALE THIS PRINT				RFP	04/12/02	CAD FILE		00501001	SIZE	DRAWING NO.	REV.
				DIST		BRF-NLV		A	005010-01	A	



CERTIFICATION DATA SHEET

P.O. BOX 8003
WAUSAU, WI 54401-8003
PH. 715-675-3311

DATA VOLTS: 460

CONN. DIAGRAM: 005010.01
OUTLINE: 607-0015-500
WINDING: T632160

FR 3

CAT #:

116774.00

TYPICAL MOTOR PERFORMANCE DATA

HP	KW	SYNC RPM	FL RPM	FRAME	ENCLOSURE	TYPE	KVA CODE	DESIGN
0.75	0.56	3600	3454	56J	TEFC	TFR	J	B

PH	HZ	VOLTS	AMPS	START TYPE	DUTY	INSL	S.F.	AMB	ELEV.
3	60/50	208-230/460#190/380	2.5-2.4/1.282/1/1.05	ACROSS THE LINE	CONT	F	1.15	40	3300

F.L. EFF	F.L. PF	3/4 LD EFF	73.5	1/2 LD EFF	68.3	GTD EFF	0.0	ELECT. TYPE
75.6	78.4	3/4 LD PF	70.6	1/2 LD PF	58.9	0.0		SQ CAGE IND RUN

F.L. TORQUE	LR AMPS @ 460 V	L.R. TORQUE	B.D. TORQUE	F.L. RISE (°C)
294 LB-FT	7.3	738 LB-FT	251%	1,043 LB-FT
				355%
				57

PRESSURE @	POWER	ROTOR WK²	MAX. LOAD WK²	SAFE STALL TIME	STARTS/HOUR	MOTOR WGT
0 DBA	9 DBA	0.02 LB-FT²	0 LB-FT²	10 SEC.	0	0 LB.

*** SUPPLEMENTAL INFORMATION ***

DE BRACKET TYPE	ODE BRACKET TYPE	MOUNT TYPE	MOTOR ORIENTATION	SEVERE DUTY	HAZARDOUS LOCATION	DRIP COVER	SCREENS	PAINT
G-FACE	STANDARD	ROUND	HORIZONTAL	NO	NONE	NO	NONE	HITE-LEESON (EPO

BEARINGS	GREASE	SHAFT TYPE	SPECIAL DE	SPECIAL ODE	SHAFT MATERIAL	FRAME MATERIAL
BALL BALL 6205	POLYREX EM	JET PUMP	NONE	NONE	303 STAINLESS (C-501)	ROLLED STEEL

THERMOSTATS	PROTECTORS	WDG RTD's	BRG RTD's	THERMOSTATS	CONTROL	SPACE HEATERS
NONE	NOT	NONE	NONE	NONE	FALSE	NA

R1 (ohms/ph)	R2 (ohms/ph)	X1 (ohms/ph)	X2 (ohms/ph)	Xm (ohms/ph)	VIBRATION (in/sec)	FLOAT ODE
0	0	0	0	0	0.150	ODE

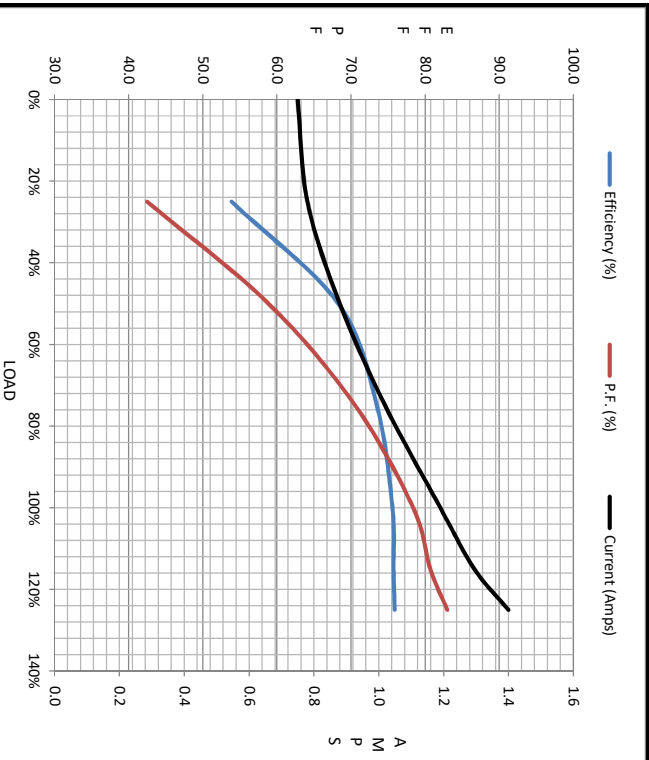
* INVERTER TORQUE: NONE	
* INV. HP SPEED RANGE: NONE	
ENCODER: NONE	NONE PPR
NONE	
NONE	
NONE	

DATE: 1/31/2018	U1: Y:(LEESON UL REC)	BRAKE: NONE	NONE
		FT-LB: NA	NONE
		VOLTAGE: NONE	NONE
			HZ:



Motor Load Data									
Load	0%	25%	50%	75%	100%	115%	125%	LR	
Current (Amps)	0.75	0.78	0.88	1.02	1.19	1.30	1.40	7.3	
Torque (ft-lb)	0.00	72.2	144	218	294	5,343	372	738	
RPM	3600	3559	3528	3492	3454	3436	3410	0	
Efficiency (%)		53.9	68.3	73.5	75.6	75.8	75.9		
P.F. (%)	17.6	42.5	58.9	70.6	78.4	80.7	83.0	0.0	

Motor Speed Data						Information Block																												
	LR	Pull-Up	BD	Rated	Idle	HP	Sync. RPM	Frame	Enclosure	Construction	Voltage	Frequency	Design	LR Code letter	Service Factor	Temp Rise @ FL	Duty	Ambient	Elevation	Rotor/Shaft wk ²	Ref Wdg	Sound Pressure @ 1M	VFD Rating	Outline Dwg	Conn. Diag	Additional Specifications:	EQUIV CKT (OHMS / PHASE)	R1	R2	X1	X2	Xm		
Speed (RPM)	0	400	2600	3454	3600	0.8	3600	140	TEFC	TFR	208-230/460#190/380	60	B	J	1.15	57	CONT	40	1,000	0.02	FR	0	NONE	607-0015-500	005010.01		0.0000	0.0000	0.0000	0.0000	0.0000			
Current (Amps)	7.3	6.7	4.4	1.19	0.75																													
Torque (ft-lb)	738	706	1,043	294	0.00																													



	R1	R2	X1	X2	Xm
EQUIV CKT (OHMS / PHASE)	0.0000	0.0000	0.0000	0.0000	0.0000

