

PRODUCT INFORMATION PACKET



Model No: A6T11OZ2A

Catalog No: 116773.00

..3/4HP..1200RPM.56.DP.208-230/460V.3.60HZ..40C.1.15SF.RIGID.A6T11OZ2A.....CONDENSER
FAN.AUTOMATIC.....

Condenser Fans



Regal and Leeson are trademarks of Regal Beloit Corporation or one of its affiliated companies.

©2018 Regal Beloit Corporation, All Rights Reserved. MC017097E





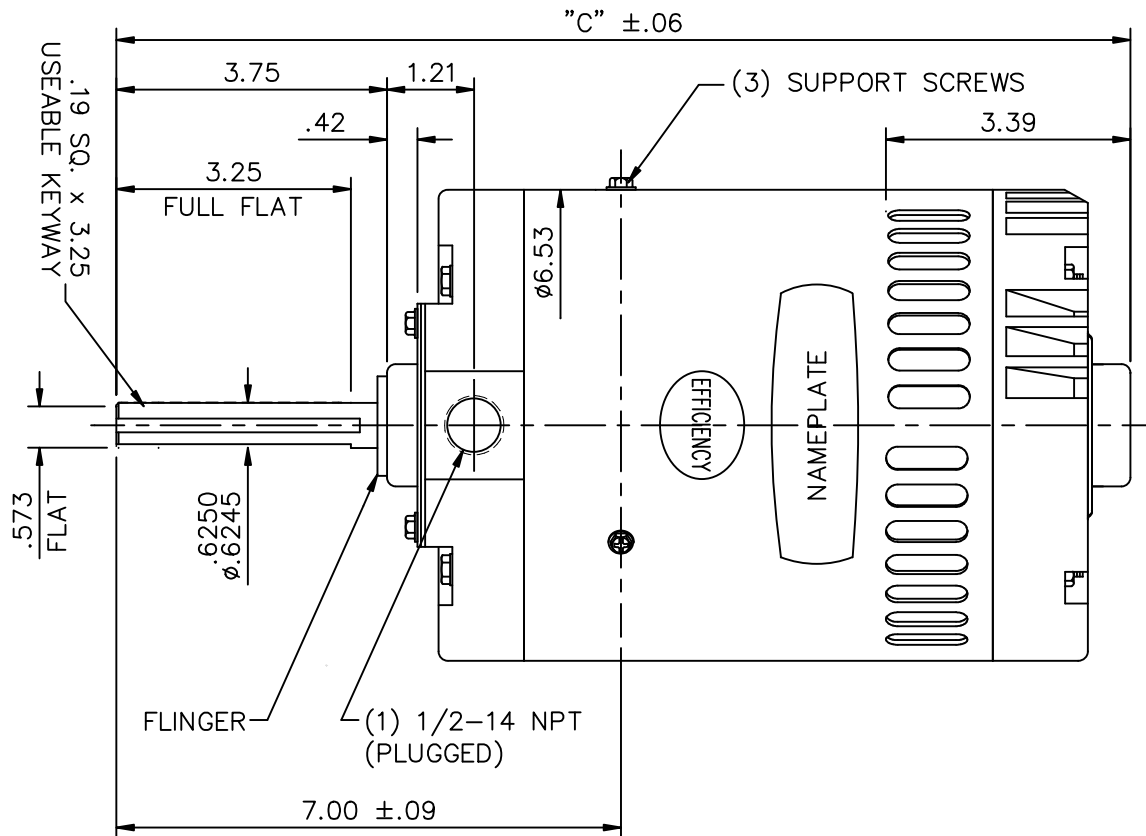
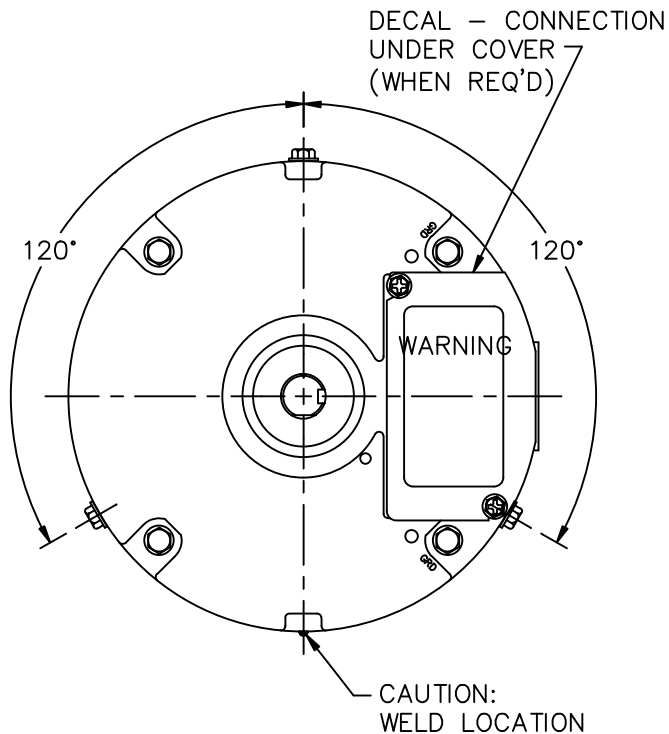
Nameplate Specifications

Output HP	0.75 Hp	Output KW	0.56 kW
Frequency	60 Hz	Voltage	208-230/460 V
Current	3.8-3.6/1.8 A	Speed	1140 rpm
Service Factor	1.15	Phase	3
Efficiency	73 %	Duty	Continuous
Insulation Class	B	Design Code	B
KVA Code	K	Frame	56Z
Enclosure	Drip Proof Air Over	Overload Protector	Automatic
Ambient Temperature	40 °C	Drive End Bearing Size	6203
Opp Drive End Bearing Size	6203	UL	Recognized
CSA	Y	CE	N
IP Code	22		

Technical Specifications


Electrical Type	Squirrel Cage Induction Run	Starting Method	Across The Line
Poles	6	Rotation	Reversible
Mounting	Round	Motor Orientation	SHAFT UP
Drive End Bearing	BALL	Opp Drive End Bearing	BALL
Frame Material	Rolled Steel	Shaft Type	Single Special Extension
Overall Length	13.56 in	Frame Length	6.00 in
Shaft Diameter	0.625 in	Shaft Extension	3.75 in
Assembly/Box Mounting	F1/F2 CAPABLE		
Outline Drawing	028556-600	Connection Diagram	005020.01

This is an uncontrolled document once printed or downloaded and is subject to change without notice. Date Created: 10/15/2018

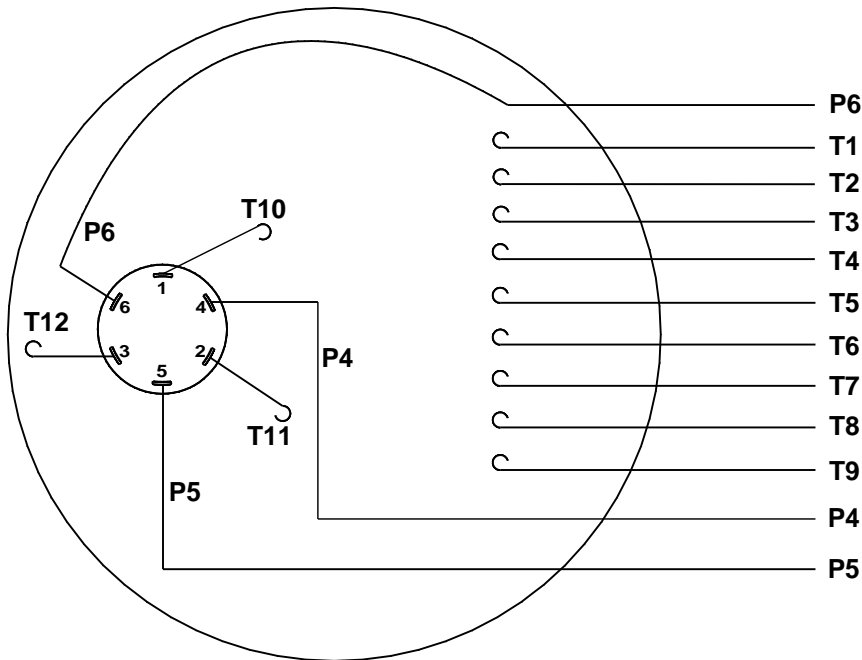


DASH NO.	"C"
500	12.56
550	13.06
600	13.56
650	14.06
700	14.56
750	15.06

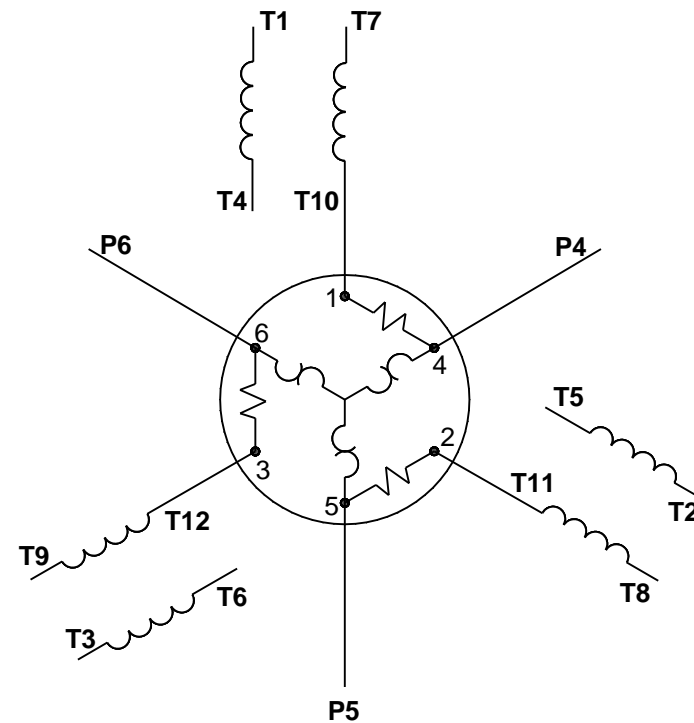
GASKETS THROUGHOUT

			TOLERANCES UNLESS SPECIFIED		 ELECTRIC MOTORS GEARMOTORS AND DRIVES	DRAWN		
			DEC.	INCHES		BJB 06/20/03		
03	CHANGED SCREW VIEWS AS PER ISAAC:08-3954	VS 9/4/08	.X	±.1	TITLE OUTLINE - 56 FRAME OPEN DRIP PROOF - BELLY BAND	CHK		
	WITH EFFECTIVE FROM 09/08/08		.XX	±.03		SCALE 3=8		
02	ROTATED MOTOR TO SHOW WELD AT 6:00 ECR 92729	ARV 10/26/07	.XXX	±.005	MAT'L. CONDENSER FAN	REF		
01	ADDED "CAUTION: WELD LOCATION" NOTE PER MFG	BJB 04/19/04	.XXXX	±.0005		FMF		
NO.	REVISION	BY & DATE	CHK	ANG	FINISH	PREV		
THIS DRAWING IN DESIGN AND DETAIL IS OUR PROPERTY AND MUST NOT BE USED EXCEPT IN CONNECTION WITH OUR WORK ALL RIGHTS OF DESIGN AND INVENTION ARE RESERVED THIS IS AN ELECTRONICALLY GENERATED DOCUMENT - DO NOT SCALE THIS PRINT			RFP	CAD FILE	028556	SIZE	DRAWING NO.	REV.
			DIST	BRF-NLV		A	028556	03

VIEW FROM OUTSIDE OF MOTOR AT SWITCH END.



LINE LEADS



VOLTAGE	L1	L2	L3	JOIN	SEPARATE
HIGH	T1	T2	T3	(T4, T7) (T5, T8) (T6, T9)	(P4), (P5), (P6)
LOW	T1, T7	T2, T8	T3, T9	(T4, P4) (T5, P5) (T6, P6)	

DRAWING REVISION D	REVISION BY SM	DATE 9/26/2016
ECO ECO-0109970	APPROVED BY SM	DATE 9/26/2016
ECO DESCRIPTION UPDATED TO NEW TEMPLATE		
<small>COPYRIGHT REGAL BELOIT AMERICA, INC. ALL RIGHTS RESERVED. PROPRIETARY AND CONFIDENTIAL INFORMATION - THIS DOCUMENT IS THE PROPERTY OF REGAL BELOIT AMERICA, INC. ("OWNER") AND CONTAINS OWNER'S PROPRIETARY INFORMATION. ANY PERSON, CORPORATION OR OTHER FIRM RECEIVING IT IS DEEMED, BY RECEIVING IT, TO AGREE THAT IT, AND/OR ANY PART OF IT, SHALL NOT BE DISCLOSED TO ANY PERSON, CORPORATION OR OTHER ENTITY, DUPLICATED, AND/OR USED, EXCEPT AS EXPRESSLY APPROVED IN WRITING IN ADVANCE BY OWNER. THIS DOCUMENT SHALL BE RETURNED TO OWNER UPON REQUEST. IT MAY BE SUBJECT TO CERTAIN RESTRICTIONS UNDER APPLICABLE EXPORT CONTROL LAWS AND REGULATIONS.</small>		

TOLERANCES UNLESS OTHERWISE SPECIFIED:

DEC.	INCH	mm	ANGLE
.X	±0.1	[±2.5]	±0.5°
.XX	±0.01	[±0.25]	
.XXX	±0.005	[±0.127]	
.XXXX	±0.0005	[±0.0127]	

REMOVE BURRS & BREAK SHARP EDGES: .003/.015 [.076/.381] X 45°
 CORNER FILLETS: R.02 [.51]
 MACHINED SURFACES: 125/ INCH 3.2/ mm

mm SHOWN IN [BRACKETS]

DRAWN BY ADH 02/25/74	DATE
APPROVED BY JCW 03/11/74	DATE
REFERENCE	
THIRD ANGLE PROJECTION	

REGAL™ Regal Beloit America, Inc.

DESCRIPTION
CONN DIAGRAM-EXTERNAL
TYPE "T" W/PROTECTOR

MATERIAL DECAL - 004023	PROCESS/FINISH ECO LAB
SIZE A	DRAWING NUMBER 00502001
SHEET 1 OF 1	



Motor Load Data

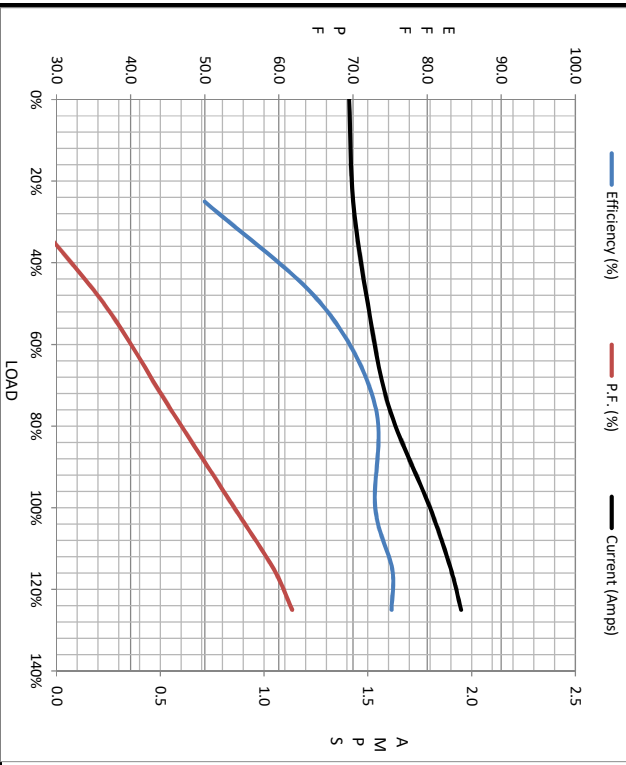
Load	0%	25%	50%	75%	100%	115%	125%	LR
Current (Amps)	1.41	1.43	1.50	1.60	1.80	1.90	1.95	0.00
Torque (ft-lb)	0.00	0.84	1.70	2.53	3.4	3.9	4.2	0.00
RPM	1200	1188	1179	1168	1162	1158	1143	0
Efficiency (%)		50.0	65.7	73.0	73.0	75.3	75.2	
P.F. (%)	12.0	25.0	36.4	45.1	54.0	59.3	61.8	0.0

Motor Speed Data

	LR	Pull-Up	BD	Rated	Idle
Speed (RPM)	0	600	1104	1162	1200
Current (Amps)	0.00	0.00	0.00	1.80	1.41
Torque (ft-lb)	0.00	0.00	0.00	3.4	0.00

Information Block

HP	0.8			
Sync. RPM	1200			
Frame	1400			
Enclosure	DP			
Construction	NA			
Voltage	208-230/460 V			
Frequency	60 Hz			
Design	B			
LR Code letter	K			
Service Factor	1.15			
Temp Rise @ FL	0 °C			
Duty	AIROVER			
Ambient	40 °C			
Elevation	1,000 feet			
Rotor/Shaft wk ²	0.09 LB-Ft ²			
Ref Wdg	T63689 DR			
Sound Pressure @ 1M	999 dBA			
VFD Rating	NONE			
Outline Dwg	028356-600			
Conn. Diag	005020.01			
Additional Specifications:				
0				
EQUIV CKT (OHMS / PHASE)				
R1	R2	X1	X2	Xm
0.0000	0.0000	0.0000	0.0000	0.0000



Speed - Torque Curve

