

# PRODUCT INFORMATION PACKET



Model No: A6T11OZ3A

Catalog No: 116772.00

..1/2HP..1200RPM.56.DP.208-230/460V.3PH.60HZ..40C.1.15SF.RIGID.A6T11OZ3A.....CONDENSER  
FAN.AUTOMATIC.....

Condenser Fans



Regal and Leeson are trademarks of Regal Beloit Corporation or one of its affiliated companies.

©2018 Regal Beloit Corporation, All Rights Reserved. MC017097E





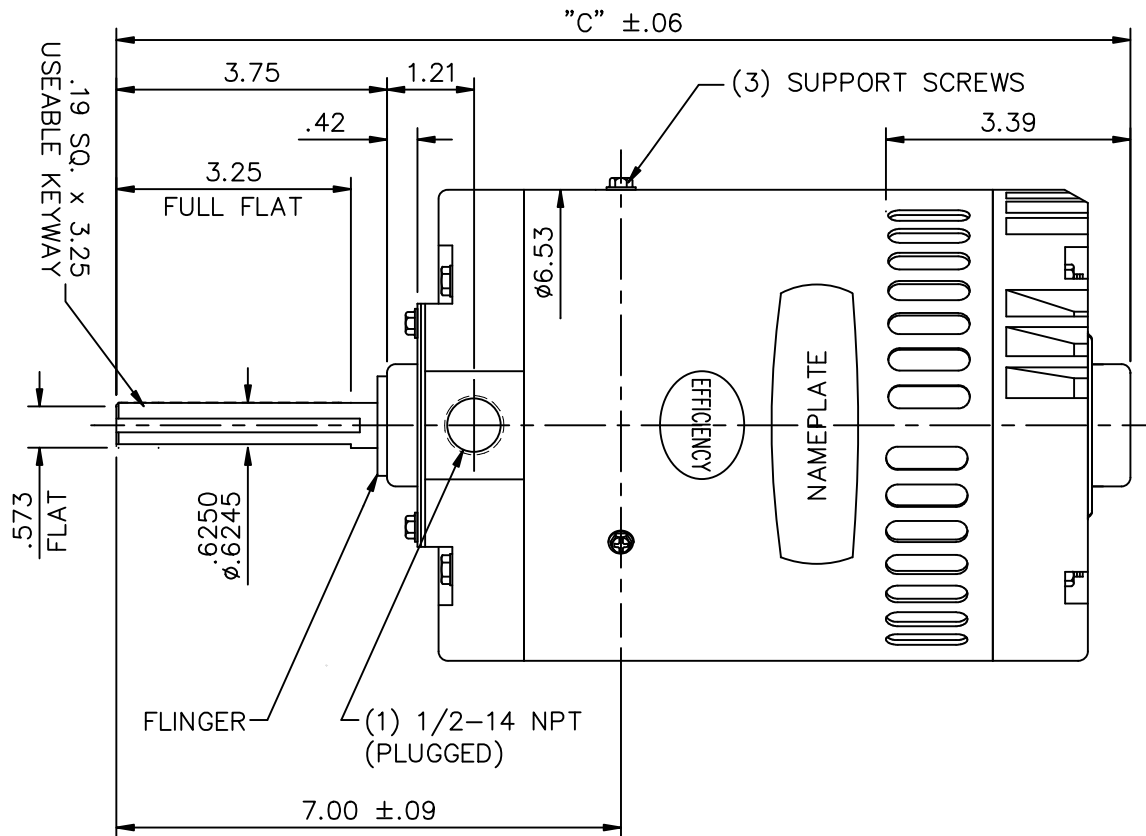
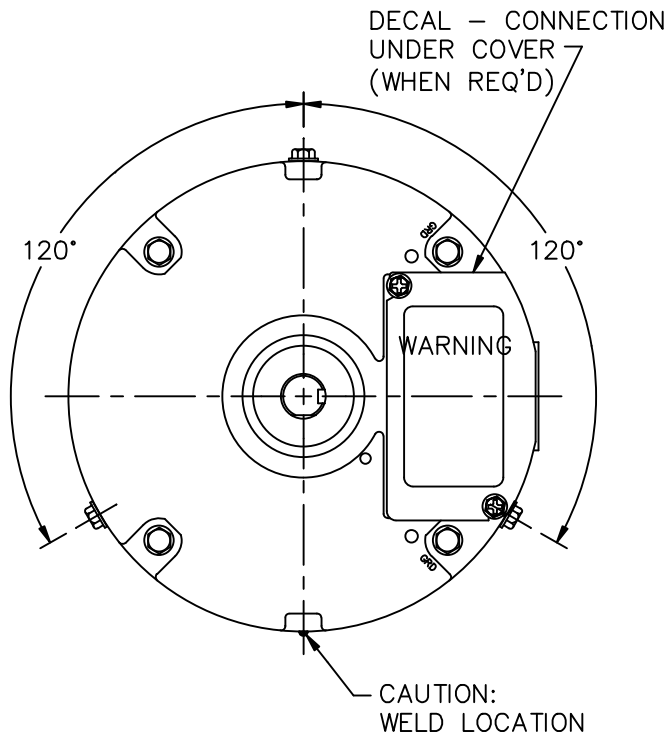
### Nameplate Specifications

Output HP	<b>0.50 Hp</b>	Output KW	<b>0.37 kW</b>
Frequency	<b>60 Hz</b>	Voltage	<b>208-230/460 V</b>
Current	<b>3.0-2.8/1.4 A</b>	Speed	<b>1140 rpm</b>
Service Factor	<b>1.15</b>	Phase	<b>3</b>
Efficiency	<b>66.5 %</b>	Duty	<b>Continuous</b>
Insulation Class	<b>B</b>	Design Code	<b>B</b>
KVA Code	<b>L</b>	Frame	<b>56Z</b>
Enclosure	<b>Drip Proof Air Over</b>	Overload Protector	<b>Automatic</b>
Ambient Temperature	<b>40 °C</b>	Drive End Bearing Size	<b>6203</b>
Opp Drive End Bearing Size	<b>6203</b>	UL	<b>Recognized</b>
CSA	<b>Y</b>	CE	<b>N</b>
IP Code	<b>22</b>		

### Technical Specifications


Electrical Type	<b>Squirrel Cage Induction Run</b>	Starting Method	<b>Across The Line</b>
Poles	<b>6</b>	Rotation	<b>Reversible</b>
Mounting	<b>Round</b>	Motor Orientation	<b>SHAFT UP</b>
Drive End Bearing	<b>BALL</b>	Opp Drive End Bearing	<b>BALL</b>
Frame Material	<b>Rolled Steel</b>	Shaft Type	<b>Single Special Extension</b>
Overall Length	<b>12.56 in</b>	Frame Length	<b>5.00 in</b>
Shaft Diameter	<b>0.625 in</b>	Shaft Extension	<b>3.75 in</b>
Assembly/Box Mounting	<b>F1/F2 CAPABLE</b>		
Outline Drawing	<b>028556-500</b>	Connection Diagram	<b>005020.01</b>

**This is an uncontrolled document once printed or downloaded and is subject to change without notice. Date Created: 10/15/2018**

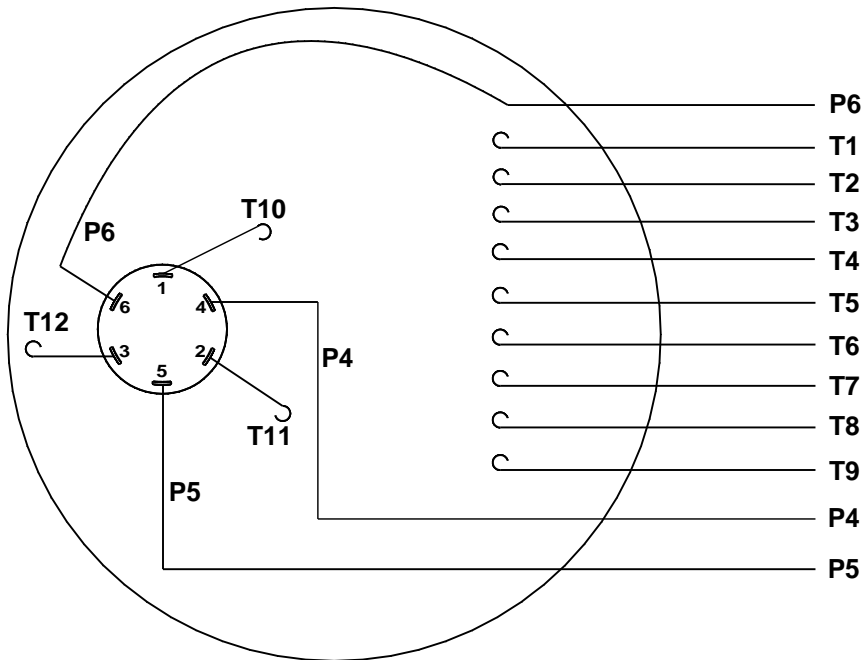


DASH NO.	"C"
500	12.56
550	13.06
600	13.56
650	14.06
700	14.56
750	15.06

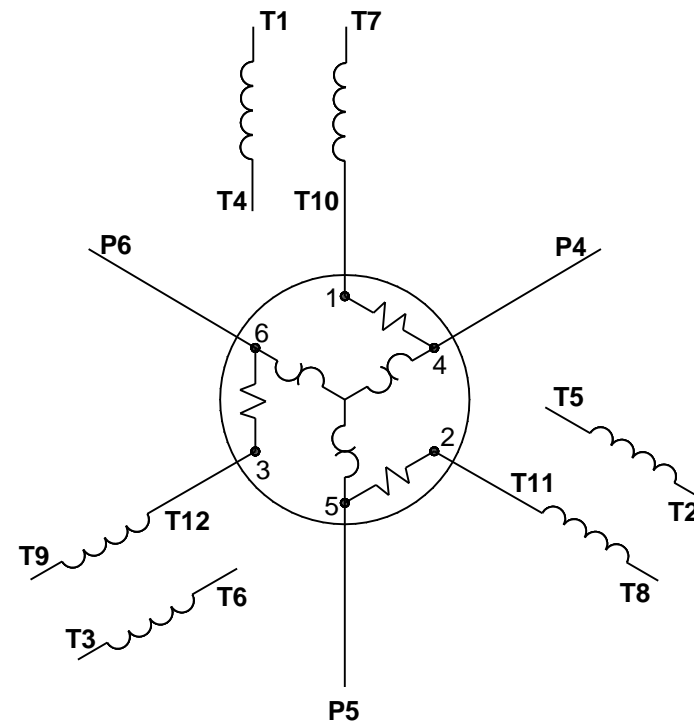
GASKETS THROUGHOUT

				TOLERANCES UNLESS SPECIFIED		 ELECTRIC MOTORS GEARMOTORS AND DRIVES	DRAWN BJB 06/20/03 CHK APPD		
				DEC.	INCHES		SCALE 3=8		
03	CHANGED SCREW VIEWS AS PER ISAAC:08-3954	VS	9/4/08	.X	±.1	TITLE OUTLINE - 56 FRAME OPEN DRIP PROOF - BELLY BAND	REF		
	WITH EFFECTIVE FROM 09/08/08			.XX	±.03		MAT'L. CONDENSER FAN	FMF	
02	ROTATED MOTOR TO SHOW WELD AT 6:00 ECR 92729	ARV	10/26/07	.XXX	±.005	FINISH	PREV		
01	ADDED "CAUTION: WELD LOCATION" NOTE PER MFG	BJB	04/19/04	.XXXX	±.0005				
NO.	REVISION	BY & DATE	CHK	ANG	±1/2"				
THIS DRAWING IN DESIGN AND DETAIL IS OUR PROPERTY AND MUST NOT BE USED EXCEPT IN CONNECTION WITH OUR WORK ALL RIGHTS OF DESIGN AND INVENTION ARE RESERVED THIS IS AN ELECTRONICALLY GENERATED DOCUMENT - DO NOT SCALE THIS PRINT				RFP		CAD FILE 028556	SIZE A	DRAWING NO. 028556	REV. 03
				DIST	BRF-NLV				

VIEW FROM OUTSIDE OF MOTOR AT SWITCH END.



LINE LEADS



VOLTAGE	L1	L2	L3	JOIN	SEPARATE
HIGH	T1	T2	T3	(T4, T7) (T5, T8) (T6, T9)	(P4), (P5), (P6)
LOW	T1, T7	T2, T8	T3, T9	(T4, P4) (T5, P5) (T6, P6)	

DRAWING REVISION D REVISION BY SM DATE 9/26/2016

ECO ECO-0109970 APPROVED BY SM DATE 9/26/2016

ECO DESCRIPTION UPDATED TO NEW TEMPLATE

COPYRIGHT REGAL BELOIT AMERICA, INC. ALL RIGHTS RESERVED. PROPRIETARY AND CONFIDENTIAL INFORMATION - THIS DOCUMENT IS THE PROPERTY OF REGAL BELOIT AMERICA, INC. ("OWNER") AND CONTAINS OWNER'S PROPRIETARY INFORMATION. ANY PERSON, CORPORATION OR OTHER FIRM RECEIVING IT IS DEEMED, BY RECEIVING IT, TO AGREE THAT IT, AND/OR ANY PART OF IT, SHALL NOT BE DISCLOSED TO ANY PERSON, CORPORATION OR OTHER ENTITY, DUPLICATED, AND/OR USED, EXCEPT AS EXPRESSLY APPROVED IN WRITING IN ADVANCE BY OWNER. THIS DOCUMENT SHALL BE RETURNED TO OWNER UPON REQUEST. IT MAY BE SUBJECT TO CERTAIN RESTRICTIONS UNDER APPLICABLE EXPORT CONTROL LAWS AND REGULATIONS.

TOLERANCES UNLESS OTHERWISE SPECIFIED:

DEC.	INCH	mm	ANGLE
.X	±0.1	[±2.5]	±0.5°
.XX	±0.01	[±0.25]	
.XXX	±0.005	[±0.127]	
.XXXX	±0.0005	[±0.0127]	

REMOVE BURRS & BREAK SHARP EDGES: .003/.015 [.076/.381] X 45°  
CORNER FILLETS: R.02 [.51]  
MACHINED SURFACES: 125/3.2 INCH/mm

mm SHOWN IN [BRACKETS]

DRAWN BY ADH 02/25/74

DATE

APPROVED BY JCW 03/11/74

DATE

REFERENCE

THIRD ANGLE PROJECTION



Regal Beloit America, Inc.

DESCRIPTION  
**CONN DIAGRAM-EXTERNAL**  
TYPE "T" W/PROTECTOR

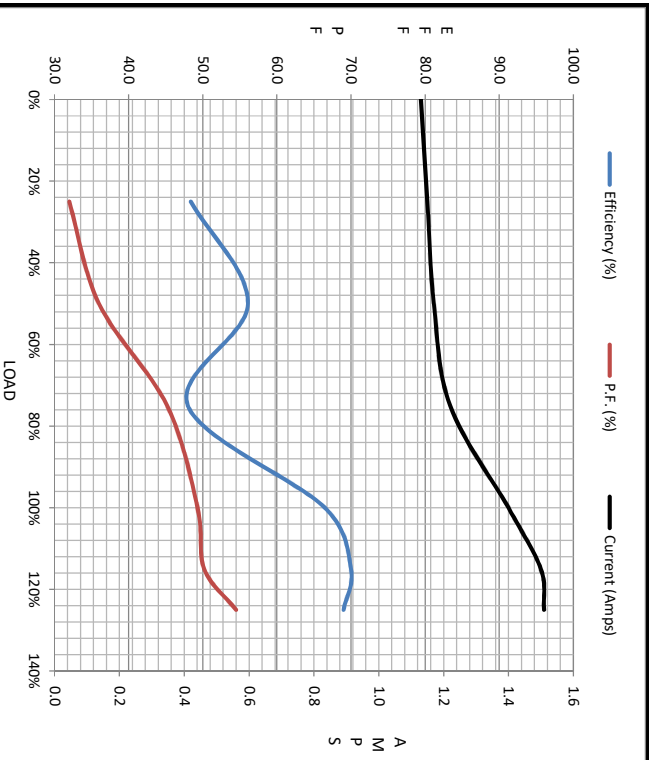
MATERIAL DECAL - 004023 PROCESS/FINISH ECO LAB

SIZE A DRAWING NUMBER 00502001 SHEET 1 OF 1



Motor Load Data								
Load	0%	25%	50%	75%	100%	115%	125%	LR
Current (Amps)	1.13	1.15	1.17	1.22	1.40	1.50	1.51	5.8
Torque (ft-lb)	0.00	212	282	318	567	653	707	1,631
RPM	1200	1183	1179	1170	1140	1,135	1,130	0
Efficiency (%)		48.4	56.1	48.0	66.5	70.0	69.0	
P.F. (%)	14.7	32.0	36.0	45.2	49.3	50.2	54.5	0.0

Motor Speed Data							Information Block																										
	LR	Pull-Up	BD	Rated	Idle		HP	Sync. RPM	Frame	Enclosure	Construction	Voltage	Frequency	Design	LR Code letter	Service Factor	Temp Rise @ FL	Duty	Ambient	Elevation	Rotor/Shaft wk <sup>2</sup>	Rel Wdg	Sound Pressure @ 1M	VFD Rating	Outline Dwg	Conn. Diag	Additional Specifications:	R1	R2	X1	X2	Xm	
Speed (RPM)	0	600	1104	1140	1200		0.5	1200	140	DP	NA	208-230/460	60	B	L	1.15	0	AIROVER	40	1,000	0.13	T63688 DR	999	NONE	028356-500	005020.01		0.0000	0.0000	0.0000	0.0000	0.0000	
Current (Amps)	5.8	5.3	3.5	1.40	1.13																												
Torque (ft-lb)	1,631	1,568	2,008	567	0.00																												



EQUIV CKT (OHMS / PHASE)			
	R1	R2	Xm
	0.0000	0.0000	0.0000

